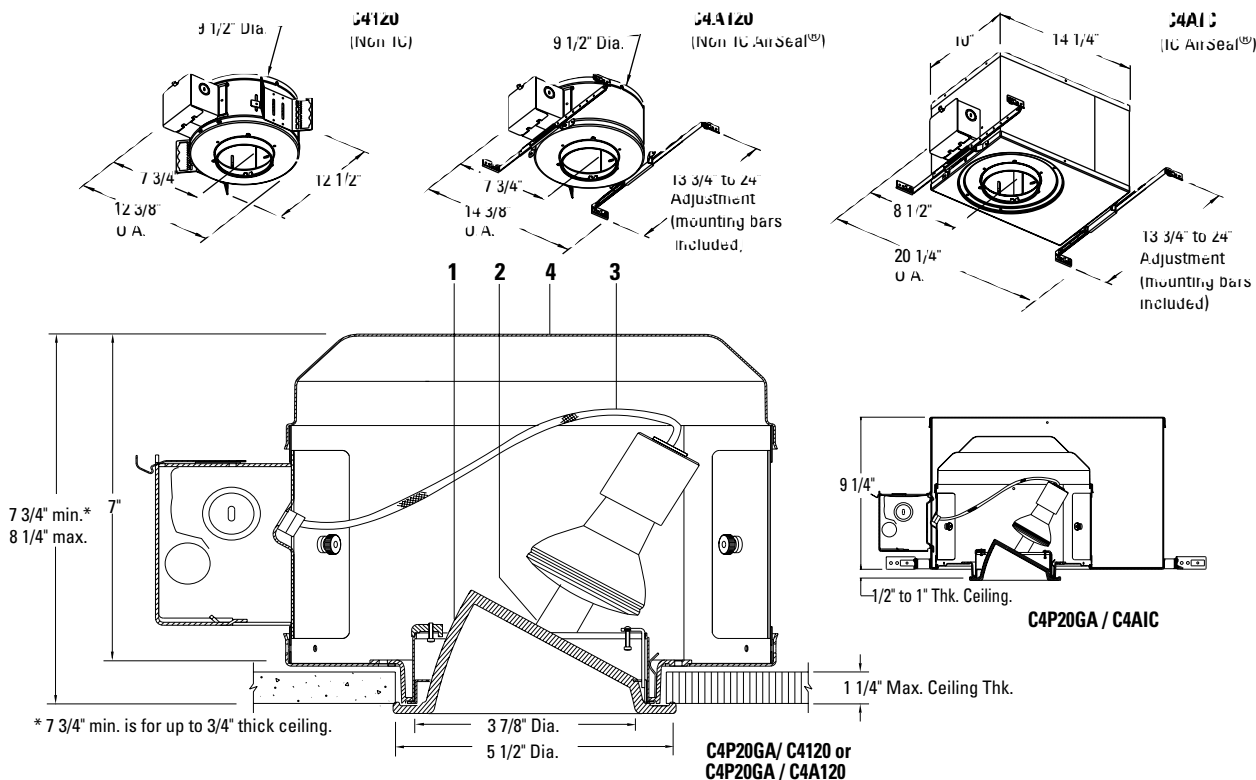




Calculite® Evolution Incandescent Lensed Downlight **C4P20GA**

4 1/2" Aperture PAR20 Glasslite



Ceiling Cutout: 5 1/16" Dia.

Glasslite Trim	Frame-In Kit		
C4P20GA Etched White Interior and Flange.	Non-IC 120V	Non-IC AirSeal® 120V	IC-AirSeal® 120V
	C4120 50W PAR20 75W PAR16	C4A120 50W PAR20 75W PAR16	C4A1C 50W PAR20 60W PAR16

Features

- Glasslite:** One piece borosilicate glass with integral flange, etched interior and white ceramic coated exterior. Etched white cone finish emits a subtle glow. Hinged, and snaps onto lampholder assembly for easy tool-less installation. Interchangeable with other Evolution 4 1/2" line voltage trims. Suitable for spas, hot tubs, and other wet environments.
- Lampholder Assembly:** Provides 360° horizontal rotation, 35° vertical adjustment; lockable. Matte black finish.
- Socket Harness:** Medium base porcelain socket with nickel plated screw shell, No. 18 SF-1 leads, and keyed plug-in quick connector for power connection to junction box.
- Frame-In-Kit:** Compatible Frame-In Kits are listed above. See separate Frame-In Kit specification sheets for details.
Non-IC and Non-IC AirSeal® - Insulation must be kept 3" away from fixture sides and wiring compartments and must not be placed above fixture in a manner which will entrap heat.
IC-AirSeal® - Fixture may be in direct contact with insulation.

Labels

UL Listed (suitable for wet locations), I.B.E.W.

Job Information	Type:
Job Name:	
Cat. No.:	
Lamp(s):	
Notes:	

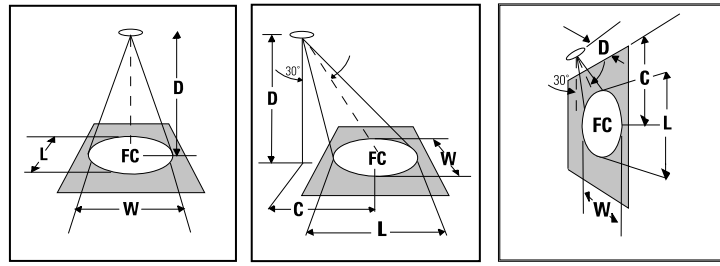
LIGHTOLIER®



Accent Lighting Performance Data

(FC) is initial footcandles at center of beam.
 Beam length (L) and beam width (W) are to where the candlepower is reduced to 50% of the center beam candlepower.
 CBCP is center beam candlepower.
 (C) is distance to the center of the beam.

Lamp data shown is typical, and is based on bare lamp photometrics. Contact lamp manufacturers for availability and performance.



0° Aiming Angle 30° Aiming Angle 30° Aiming Angle

Lamps	Beam Spread (To 50% CBCP)	CBCP	Rated Life (Hrs.)	D	FC	L	W	D	C	FC	L	W	D	C	FC	L	W
-------	---------------------------	------	-------------------	---	----	---	---	---	---	----	---	---	---	---	----	---	---

PAR16 Halogen Line Voltage lamps

60W PAR16 NSP	10°	5000	2000	6'	139	1.0'	1.0'	5'	2.9'	130	1.2'	1.0'	2'	3.5'	156	1.4'	0.7'
				8'	78	1.4'	1.4'	7'	4.0'	66	1.6'	1.4'	3'	5.2'	69	2.1'	1.0'
				10'	50	1.7'	1.7'	9'	5.2'	40	2.1'	1.8'	4'	6.9'	39	2.9'	1.4'
				12'	35	2.1'	2.1'	11'	6.4'	27	2.6'	2.2'	5'	8.7'	25	3.6'	1.7'
60W PAR16 NFL	30°	1300	2000	3'	144	1.6'	1.6'	3'	1.7'	94	2.2'	1.9'	1'	1.7'	163	2.7'	1.1'
				5'	52	2.7'	2.7'	5'	2.9'	34	3.7'	3.1'	2'	3.5'	41	5.5'	2.1'
				7'	27	3.8'	3.8'	7'	4.0'	17	5.1'	4.3'	3'	5.2'	18	8.2'	3.2'
				9'	16	4.8'	4.8'	9'	5.2'	10	6.6'	5.6'	4'	6.9'	10	10.9'	4.3'
75W PAR16 NSP	10°	7500	2000	7'	153	1.2'	1.2'	6'	3.5'	135	1.4'	1.2'	2'	3.5'	234	1.4'	0.7'
				10'	75	1.7'	1.7'	9'	5.2'	60	2.1'	1.8'	3'	5.2'	104	2.1'	1.0'
				13'	44	2.3'	2.3'	12'	6.9'	34	2.8'	2.4'	4'	6.9'	59	2.9'	1.4'
				16'	29	2.6'	2.6'	15'	8.7'	22	3.5'	3.0'	5'	8.7'	38	3.6'	1.7'
75W PAR16 NFL	30°	1900	2000	4'	119	2.1'	2.1'	3'	1.7'	137	2.2'	1.9'	1'	1.7'	238	2.7'	1.1'
				6'	53	3.2'	3.2'	5'	2.9'	49	3.7'	3.1'	2'	3.5'	59	5.5'	2.1'
				8'	30	4.3'	4.3'	7'	4.0'	25	5.1'	4.3'	3'	5.2'	26	8.2'	3.2'
				10'	19'	5.4'	5.4'	9'	5.2'	15	6.6'	5.6'	4'	6.9'	15	10.9'	4.3'

PAR20 Halogen Line Voltage lamps

35W PAR20 NSP	8°	3000	2500	6'	83	0.8'	0.8'	5'	2.9'	78	0.9'	0.8'	2'	3.5'	94	1.1'	0.6'
				8'	47	1.1'	1.1'	7'	4.0'	40	1.3'	1.1'	3'	5.2'	42	1.7'	0.8'
				10'	30	1.4'	1.4'	9'	5.2'	24	1.7'	1.5'	4'	6.9'	23	2.3'	1.1'
				12'	21	1.7'	1.7'	11'	6.4'	16	2.1'	1.8'	5'	8.7'	15	2.8'	1.4'
35W PAR20 NFL	30°	900	2500	3'	100	1.6'	1.6'	3'	1.7'	65	2.2'	1.9'	1'	1.7'	113	2.7'	1.1'
				5'	36	2.7'	2.7'	5'	2.9'	23	3.7'	3.1'	2'	3.5'	28	5.5'	2.1'
				7'	18	3.8'	3.8'	7'	4.0'	12	5.1'	4.3'	3'	5.2'	13	9.2'	3.2'
				9'	11	4.8'	4.8'	9'	5.2'	7	6.6'	5.6'	4'	6.9'	7	10.9'	4.3'
35W PAR20 WFL	40°	600	2500	3'	67	2.2'	2.2'	3'	1.7'	43	3.0'	2.5'	1'	1.7'	75	4.8'	1.5'
				5'	24	3.6'	3.6'	5'	2.9'	16	5.1'	4.2'	2'	3.5'	19	9.7'	2.9'
				7'	12	5.1'	5.1'	7'	4.0'	8	7.1'	5.9'	3'	5.2'	8	14.5'	4.4'
				9'	7	6.6'	6.6'	9'	5.2'	5	9.1'	7.6'	4'	6.9'	5	19.3'	5.8'
50W PAR20 NSP	8°	6000	2000	6'	167	0.8'	0.8'	5'	2.9'	156	0.9'	0.8'	2'	3.5'	188	1.1'	0.6'
				8'	94	1.1'	1.1'	7'	4.0'	80	1.3'	1.1'	3'	5.2'	83	1.7'	0.8'
				10'	60	1.4'	1.4'	9'	5.2'	48	1.7'	1.5'	4'	6.9'	47	2.3'	1.1'
				12'	42	1.7'	1.7'	11'	6.4'	32	2.1'	1.8'	5'	8.7'	30	2.8'	1.4'
50W PAR20 SP	15°	3200	2000	6'	89	1.6'	1.6'	5'	2.9'	83	1.8'	1.5'	2'	3.5'	100	2.2'	1.1'
				8'	50	2.1'	2.1'	7'	4.0'	42	2.5'	2.1'	3'	5.2'	44	3.3'	1.6'
				10'	32	2.6'	2.6'	9'	5.2'	26	3.2'	2.7'	4'	6.9'	25	4.4'	2.1'
				12'	22	3.2'	3.2'	11'	6.4'	17	3.9'	3.3'	5'	8.7'	16	5.6'	2.6'
50W PAR20 NFL	27°	1850	2000	4'	116	1.9'	1.9'	3'	1.7'	134	2.0'	1.7'	1'	1.7'	231	2.3'	1.0'
				6'	51	2.9'	2.9'	5'	2.9'	48	3.3'	2.8'	2'	3.5'	58	4.6'	1.9'
				8'	29	3.8'	3.8'	7'	4.0'	25	4.6'	3.9'	3'	5.2'	26	7.0'	2.9'
				10'	19	4.8'	4.8'	9'	5.2'	15	5.9'	5.0'	4'	6.9'	14	9.3'	3.8'

Job Information Type:

Lightolier a Genlyte Thomas Company www.lightolier.com
 631 Airport Road, Fall River, MA 02720 • (508) 679-8131 • Fax (508) 674-4710
 We reserve the right to change details of design, materials and finish.
 © 2002 Genlyte Thomas Group LLC (Lightolier Division) • A0902

LIGHTOLIER®