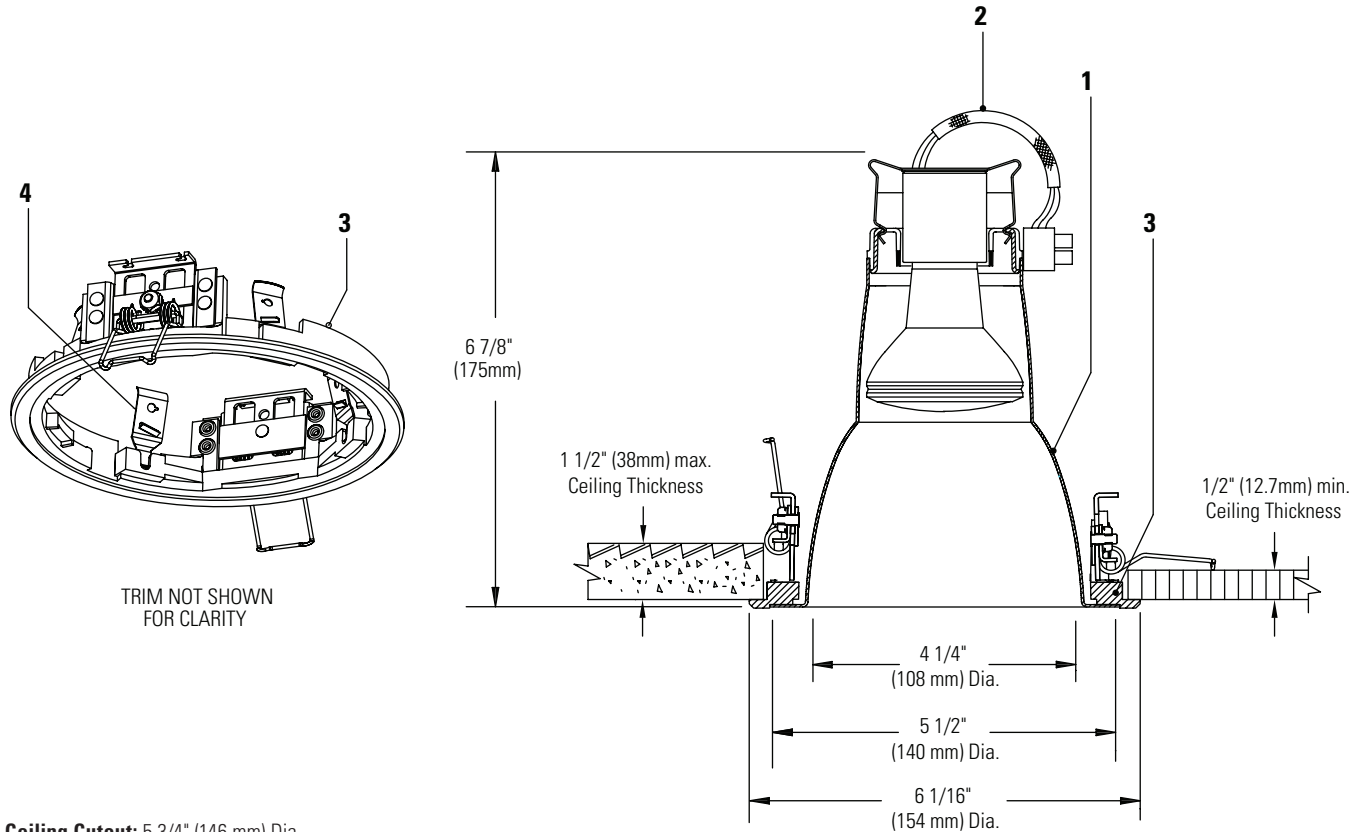


LIGHTOLIER® Calculite® Incandescent Downlight C4P20DEXP

Page 1 of 2

4 1/2" Aperture PAR20/PAR16 Reflector Trim, For Export



TRIM NOT SHOWN FOR CLARITY

Ceiling Cutout: 5 3/4" (146 mm) Dia.

Ordering Information

Reflector Trim	Installation Ring	Lamp Data
C4P20DCCDPEXP Etched white interior and flange	C4XRM Matte White	50W PAR20 Halogen E27 240V 75W PAR16 Halogen E27 240V

Features

- Reflector:** 16 ga. Alzak® aluminum, 50° visual cutoff to lamp and lamp image.
- Socket Harness:** Spring tension clips snap into die-cast aluminum top at pre-focused positions ensuring correct optical alignment. Medium base E27 porcelain socket with nickel plated screw shell, No. 18 SF-1, (1.0 mm²) leads to terminal block for 3 No. 18 (1.0 mm²) supply leads (line, neutral and ground).
- Installation Ring:** Cast aluminum ring is painted and has two 17 ga. stainless steel springs that engage in upright position during installation. One touch snap action secures ring in ceiling cutout. ORDER SEPARATELY. See separate Installation Ring specification sheet for more details.
- Trim Retention Springs:** Rust resistant springs secure reflector/housing for quick, toolless installation (quantity of 4).

Certifications and Ratings



Job Information

Type:

Job Name:

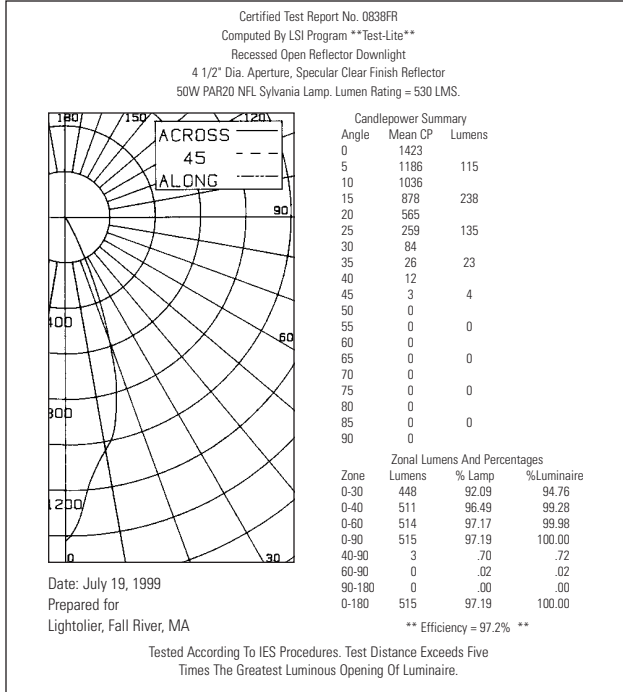
Cat. No.:

Lamp(s):

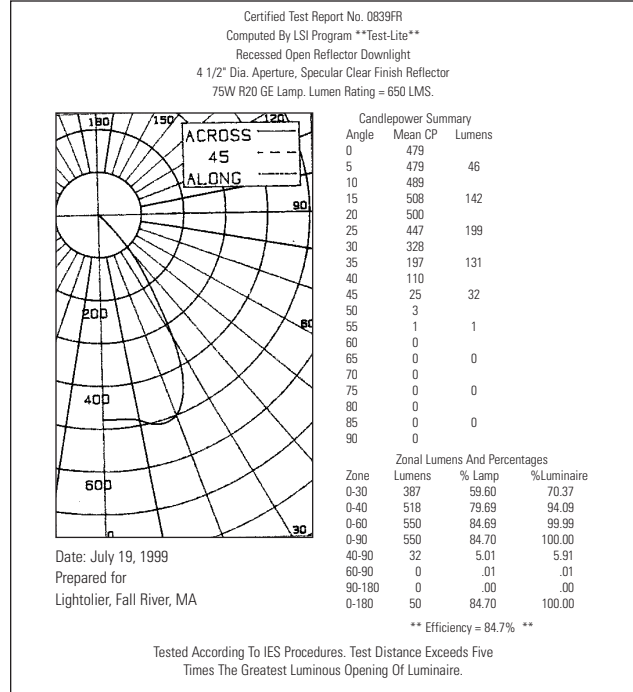
Notes:

631 Airport Road, Fall River, MA 02720 • (508) 679-8131 • Fax (508) 674-4710
We reserve the right to change details of design, materials and finish.
www.lightolier.com © 2008 Philips Group • A0508

Spacing Ratio = 0.6



Spacing Ratio = 1.0



Coefficients of Utilization
 % Effective Ceiling Cavity Reflectance

Room Cavity Ratio	% Effective Ceiling Cavity Reflectance															
	80				70				50				30			
	50	30	10	0	50	30	10	0	50	30	10	0	50	30	10	0
1	1.11	1.09	1.08	1.09	1.07	1.06	1.05	1.04	1.03	1.01	1.01	1.00	.98	.98	.97	.95
2	1.06	1.04	1.02	1.05	1.02	1.01	1.02	1.00	.98	.99	.98	.96	.97	.96	.94	.93
3	1.03	1.00	.97	1.01	.99	.97	.99	.97	.95	.97	.95	.94	.95	.94	.93	.91
4	1.00	.96	.94	.99	.96	.93	.97	.94	.92	.95	.93	.91	.93	.92	.90	.89
5	.96	.93	.90	.95	.92	.90	.94	.91	.89	.92	.90	.88	.91	.89	.88	.87
6	.94	.90	.88	.93	.90	.88	.92	.89	.87	.91	.88	.87	.90	.88	.86	.85
7	.91	.88	.85	.91	.87	.85	.89	.87	.85	.88	.86	.84	.88	.85	.84	.83
8	.88	.85	.83	.88	.85	.82	.87	.84	.82	.86	.84	.82	.86	.83	.81	.81
9	.86	.83	.80	.86	.83	.80	.85	.82	.80	.84	.81	.80	.84	.81	.79	.79
10	.84	.81	.78	.84	.81	.78	.83	.80	.78	.82	.80	.78	.82	.79	.78	.77

Conversion Factors
 20% Floor Cavity Reflectance
 35W, 50W PAR20 NFL: Clear, C.U.x 1.0; Diffuse/Gold, C.U.x 0.95; Black, C.U.x 0.7
 60W, 75W PAR16 NFL: Clear, C.U.x 0.90; Diffuse/Gold, C.U.x 0.85; Black, C.U.x 0.6
 35W, 50W BR19 SP: Clear, C.U.x 0.85; Diffuse/Gold, C.U.x 0.80; Black, C.U.x 0.6

Coefficients of Utilization
 % Effective Ceiling Cavity Reflectance

Room Cavity Ratio	% Effective Ceiling Cavity Reflectance															
	80				70				50				30			
	50	30	10	0	50	30	10	0	50	30	10	0	50	30	10	0
1	.95	.93	.92	.94	.92	.90	.90	.89	.88	.87	.86	.85	.84	.83	.83	.81
2	.90	.87	.85	.88	.86	.84	.86	.84	.82	.83	.82	.80	.81	.80	.79	.77
3	.85	.82	.79	.84	.81	.78	.82	.79	.77	.80	.78	.76	.78	.76	.75	.74
4	.81	.77	.74	.80	.76	.73	.78	.75	.73	.76	.74	.72	.75	.73	.71	.70
5	.76	.72	.69	.75	.71	.69	.74	.71	.68	.73	.70	.68	.71	.69	.67	.66
6	.73	.68	.65	.72	.68	.65	.71	.67	.64	.70	.66	.64	.68	.66	.64	.63
7	.68	.64	.61	.68	.64	.61	.67	.63	.61	.66	.63	.60	.65	.62	.60	.59
8	.65	.60	.57	.64	.60	.57	.63	.60	.57	.63	.59	.57	.62	.59	.56	.55
9	.61	.57	.54	.61	.57	.54	.60	.56	.53	.59	.56	.53	.58	.55	.53	.52
10	.58	.53	.50	.57	.53	.50	.57	.53	.50	.56	.52	.50	.56	.52	.50	.49

Conversion Factors
 20% Floor Cavity Reflectance
 30W to 75W R20: Clear, C.U.x 1.00; Diffuse/Gold, C.U.x 0.9; Black, C.U.x 0.45

Job Information **Type:**

631 Airport Road, Fall River, MA 02720 • (508) 679-8131 • Fax (508) 674-4710
 We reserve the right to change details of design, materials and finish.
 www.lightolier.com © 2008 Philips Group • A0508