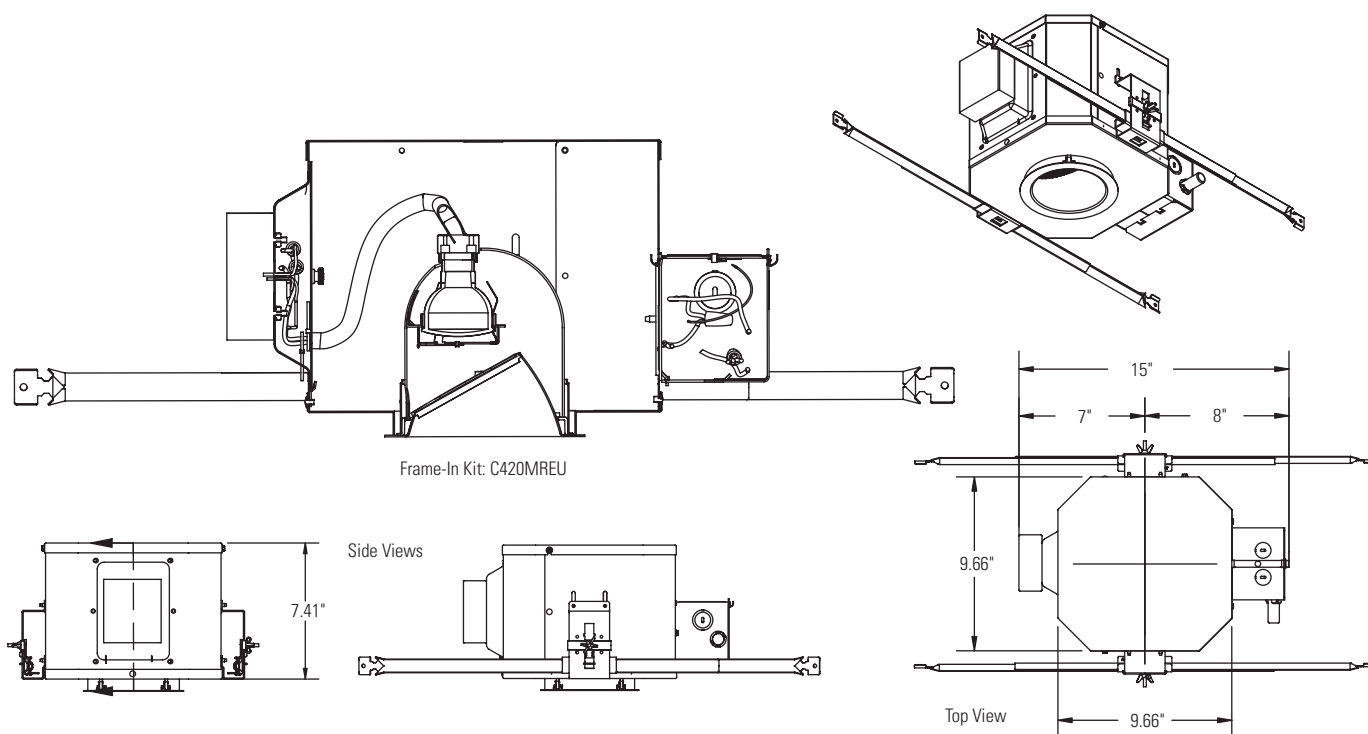


# Calculite® HID Lensed Wall Washer **C4MRL**



Ceiling Cutout: 5 1/16" (129 mm) Dia.

Ceiling Thickness: 1 1/8" Max

Reflector Trim			Frame-In Kit	Lamp
<b>Finish</b>	<b>White Flange</b>	<b>Polished Flange</b>		
Comfort Clear Diffuse	<b>C4MRL CCDW</b>	<b>C4MRL CCDP</b>	<b>C420MREU</b> – Electronic 120/277V Non-IC	(1) 20W MR16 CMH GX10 Base
Comfort Clear	<b>C4MRL CCLW</b>	<b>C4MRL CCLP</b>		
Champagne Bronze	<b>C4MRL CCZW</b>	<b>C4MRL CCZP</b>		

## Features

- Trim Kit Aperture Cone:** 50° visual cut-off to lamp and lamp image. Low brightness, 0.040" aluminum, anodized; keyed to lamp support assembly for true aiming of lamp to prevent incorrect installation of cone. Hinged and snaps on for easy tool-less installation.
- Lamp Support:** Die-form aluminum with knurled surface for easy gripping during relamping. Spring tension clips hold lamp and lens and allow fast snap-in, snap-out relamping. Matte black finish.  
**NOTE:** HID lampholder ship with the frame. Discard the incandescent lampholder that ships standard with the trims.
- Horizontal Adjustment Mechanism:** Die-form steel ring, matte black finish. Provides 360° horizontal stop, lockable.
- Frame Vertical Adjustment Mechanism:** Accommodates mounting to virtually any ceiling system using pre-installed mounting bars, or 1/2" EMT tubing (by others). Single locking feature secures all adjustments. Alignment holes and markings allow fixture to be pre-set prior to installation. Final adjustment can be made from below inside fixture.
- Mounting Bars:** Galvanized steel, 0.048"; pre-installed telescoping bars extend to 30" long and lock securely into position. Built-in locking tabs provide positive attachment to common T-bars systems. Self-centering feature simplified installation in 24" O.C. grid systems. Attaches to steel or wood joists without accessories
- Socket Harness:** Twist and lock base. 5kV (600V) pulse rated PPS, black T240 body socket with nickel-plated contacts. 18 AWG silicone leads with fiberglass outer sleeve

## Options and Accessories

Accepts one accessory

## Labels

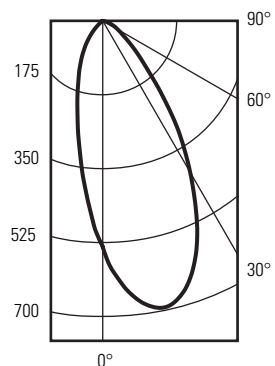
U.L (Suitable for Wet Locations)

Teflon® is a registered trademark of E.I. DuPont.

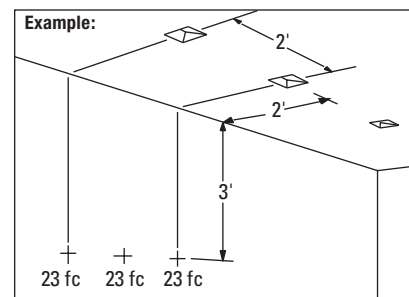
Job Information	Type:
<b>Job Name:</b>	
<b>Cat. No.:</b>	
<b>Lamp(s):</b>	
<b>Notes:</b>	

# Calculite® HID Lensed Wall Washer **C4MRL**

## C4MRLCCLW, 20W CMH MR16 FL40, 4 INCH WALL WASH ILLUMINANCE



2' from Wall 2' Spacing				2' from Wall 3' Spacing				3' from Wall 3' Spacing			
1	9	8	9	1	6	3	6	1	2	2	2
2	18	17	18	2	11	7	11	2	4	4	4
3	<b>23</b>	<b>23</b>	<b>23</b>	3	14	10	14	3	7	6	7
4	21	22	21	4	12	11	12	4	8	8	8
5	18	18	18	5	10	9	10	5	9	9	9
6	14	15	14	6	8	8	8	6	8	8	8
7	11	11	11	7	6	6	6	7	7	7	7
8	9	9	9	8	5	5	5	8	6	6	6
9	8	8	8	9	4	4	4	9	5	6	5
10	6	6	6	10	3	3	3	10	5	5	5



**Job Information** **Type:**

**PHILIPS**  
**LIGHTOLIER®**