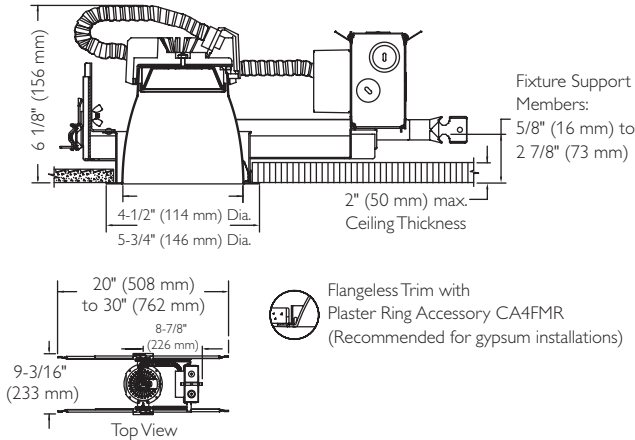


# C4L05/CUL05

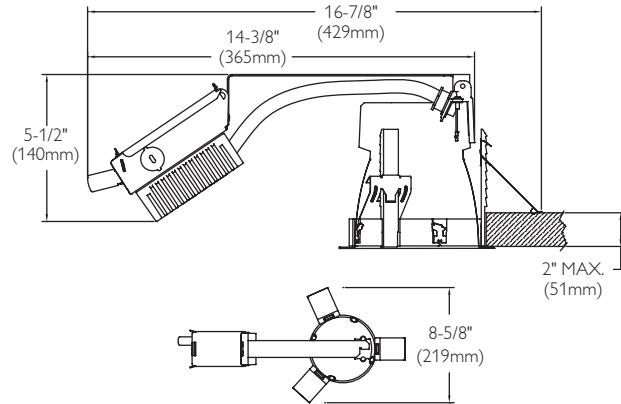
## Calculite 4 1/2" LED Frame In Kit



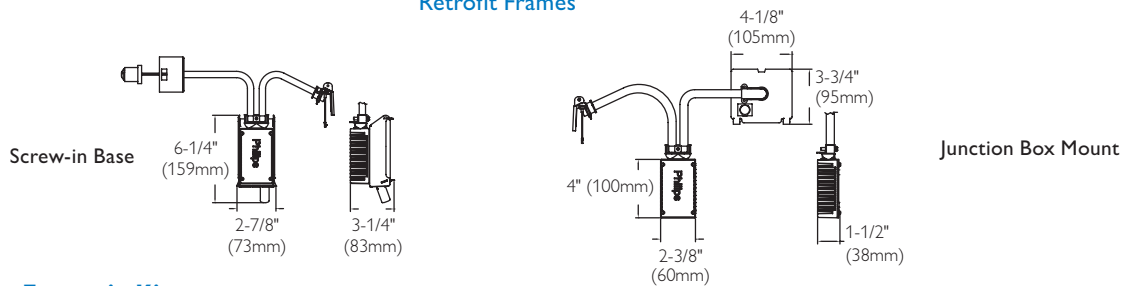
### New Construction Frames



### Remodeler Frames



### Retrofit Frames



### Ordering Guide: Frame-in Kits

Frame-in Kit Series	Installation Options	Input Voltage	Options
C4L05	N (New construction)	1 (120V)	Blank (Electronic low voltage dimming - 120V only)
	R (Remodeler)	2 (277V)	EM (Emergency) Z10V (0-10V dimming) LD (Lutron A series driver)
CUL05	J (J-box mount retrofit)	1 (120V)	Blank (Electronic low voltage dimming - 120V only)
	S (Screw-in base retrofit (120V only))	2 (277V)	Z10V (0-10V dimming) LD (Lutron A series driver)

Example: C4L05N1EM

Job Information	Type:
Job Name:	
Cat. No.:	
Notes:	

**PHILIPS**  
**LIGHTOLIER**

# C4L05/CUL05

## Calculite 4 1/2" LED Frame In Kit

Page 2 of 2

### Features

**Ceiling Cutout (Trim Aperture):** 5 1/8" (4 1/2")

**Depth (including Light Engine):** 6 1/8" (156mm)

**Power Connection:** Attaches to light engine via push-in connector (on frame). Removable cover provides access.

**Junction Box:** Allows inspection from below.

**Thermal Protector:** Meets NEC & UL requirements.

Do not install insulation above nor within 3" of any part of luminaire.

**Vertical Adjustment:** Mounting ring adjusts vertically from above or below ceilings up to 2".

**Mounting Bars:** Pre-installed telescoping mounting bars extend to 30" long and lock into position. Attach to steel or wood joists without accessories.

#### New Construction:

**Mounting Frame:** Galvanized steel. Vertical adjustment mechanism mounts to most ceiling systems using mounting bars or 1/2" EMT tubing (by others). Single locking feature secures all adjustments. Alignment holes and markings allow fixture to be preset prior to installation.

#### Remodeler Frame:

**Compatibility:** Wide beam flanged downlight only.

**Power Pack:** Swivel junction box for tight plenum spaces.

Snap-off covers permits wiring from top.

**Spring Holder:** Galvanized steel. Accepts up to 2 1/2" (64mm) ceiling thickness.

#### Retrofit Frame:

**Compatibility:** Wide beam downlight only.

**Capability (Screw-in):** Converts 4 1/2" (114mm) or 6" (153mm)

Lightolier incandescent frame-in kit without additional wiring using existing Calculite E26 base.

**Capability (J-Box Mount):** Converts 4 1/2" (114mm) or 6" (153mm) Lightolier incandescent, compact fluorescent or HID frame-in kit using junction box.

**Socket Cup Support:** Spun steel. Holds Calculite incandescent socket cup.

**Socket Extender:** Phenolic E26 base. Connect to existing lampholder.

### Electrical

**Electronic Power Supply:** 120 or 277V, 50/60Hz, enclosed, overload and short circuit protected, thermal regulation to protect against overheating, sound rating "A", -20°C minimum starting temperature, 35°C maximum ambient environment.

Dimming compatibility: See LED-DIM specification sheet.

Input Voltage	Input Frequency	Input Current	LED Drive Current	Input Power	LED Power	THD	Power Factor
120V	50/60Hz	0.074	350mA	9W*	8W	<5%	>0.9
277V	50/60Hz	0.032	350mA	9W*	8W	<10%	>0.8

\* +/- 5%.120V options 10.5W (+/- 5%)

**Rated Life:** 50,000 hours

### Options and Accessories

**Dimming Capability:** 12V electronic. See LED-DIM specification sheet

**Emergency Capability:** See LED-LMI specification sheet

Compatible with slope ceiling adaptors. See specification sheet SCA. Requires SCAHID accessory.

### Labels

UL, cUL, I.B.E.W.

5 Year Warranty



Philips Lightolier  
e: lol.webmaster@philips.com  
t: (508) 679-8131  
w: www.lightolier.com

C4L05-CUL05 April 23, 2012

Specifications are subject to change without notice.  
© Koninklijke Philips Electronics N.V., 2012. All rights reserved.

<b>Job Information</b>	<b>Type:</b>
------------------------	--------------