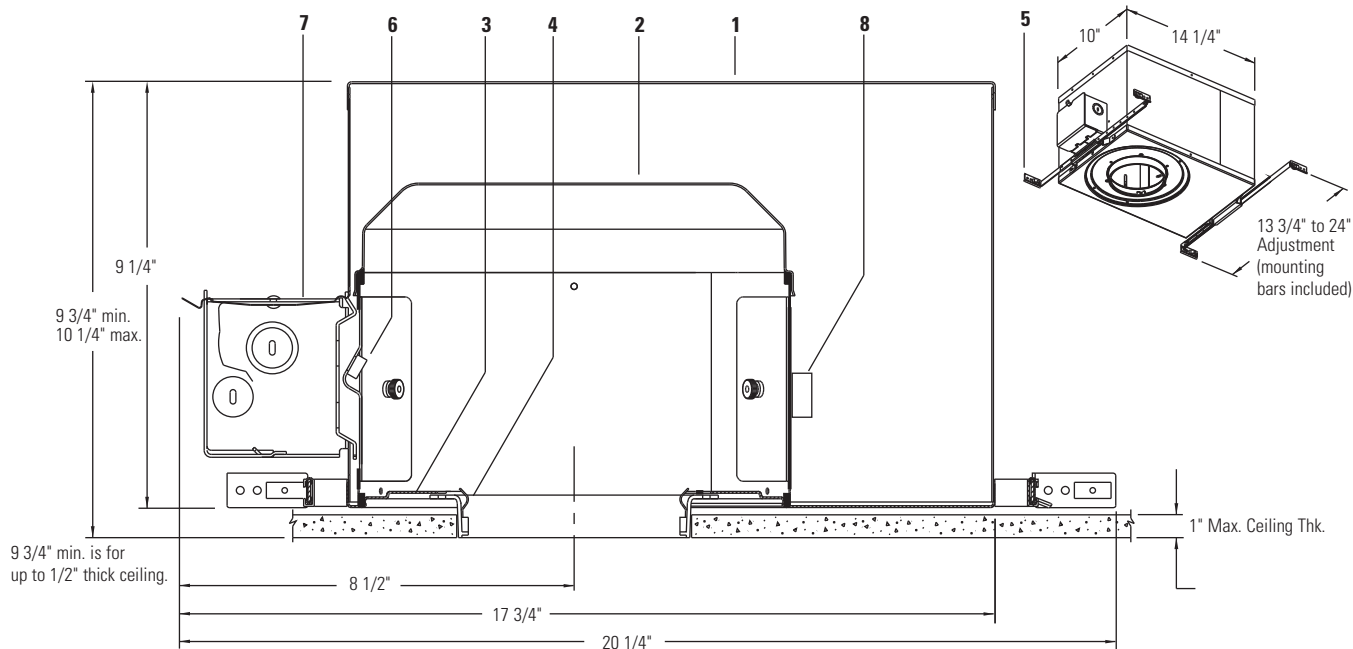




Calculite® Evolution Recessed Downlight **C4AIC**

Page 1 of 1

4 1/2" Aperture Incandescent 120V IC AirSeal® Frame-In Kit



Ceiling Cutout: 5 1/16" (129 mm) Dia.

Frame-In Kit	Reflector Trim				
C4AIC	Open Downlight	Open Downlight	Adjustable Accent	Open Wall Washer/Downlight	Lensed Wall Washer
	C4AD 60W MB19, BT15, 75W A19	C4P20D 50W PAR20 75W PAR16 75W BR19, R20	C4P20A 50W PAR20 60W PAR16	C4AW 60W BT15, MB19 75W A19	C4P20L 50W PAR20 45W PAR16

Features

- Outer Housing:** Raw aluminum 0.036" (18 ga.) allows for heat dissipation. Top and bottom cover, aluminum 0.050" (16 ga.). May be covered with thermal insulation.
- Housing:** Steel, 0.03" (22 ga.). Top Cover: Aluminum, 0.04" (14 ga.). Matte black finish. AirSeal® housing minimizes air leakage to less than 2CFM at 1.57 PSF (or 75pa) in accordance with ASTM E-283, which complies with Model Energy Code and Washington State Energy Code, and reduces heat loss and condensation in ceiling.
- Mounting Frame:** Die-cast aluminum for dry or plaster ceilings. Locks into position along length of mounting bars with locking screws.
- Retaining Springs:** Precision-tooled steel springs secure reflector trim to mounting frame for quick, tool-less installation.
- Mounting Bars:** Galvanized steel, 0.06" (16 ga.). Bars pivot for easy installation and wire-in below ceiling line. Bars extend to accommodate 16" to 24" O.C. joist spacing. Integral self-tapping screws for securing to wood or metal construction. Built-in tabs for locking to T-bars without the need of accessories.
- Snap-In Connectors:** Keyed to accept power and socket harnesses, which are provided with reflector trim.
- Junction Box:** Galvanized steel .063" (14 ga.). UL listed for maximum of 4 No. 12 AWG 90°C through branch circuit conductors. Accessible from inside and outside of fixture. Outside J-Box door is hinged for maximum opening. Snap-in plug is provided on inside cover for quick connection to power harness.
- Thermal Protector:** Meets NEC and UL requirements.
- Reflector Trim:** Compatible reflector trims are listed above. See separate reflector trim specification sheets for complete catalog numbers and details.

Options and Accessories

Chicago Plenum: Add **LC** to frame suffix.

Labels

UL Listed (Type I.C., Suitable for damp locations), I.B.E.W. Complies with Air Leakage Requirements stated in the Model Energy Code and the Washington State Energy Code.

Job Information	Type:
Job Name:	
Cat. No.:	
Lamp(s):	
Notes:	

Lightolier a Genlyte company www.lightolier.com
 631 Airport Road, Fall River, MA 02720 • (508) 679-8131 • Fax (508) 674-4710
 We reserve the right to change details of design, materials and finish.
 © 2011 Genlyte Group LLC • C0711

LIGHTOLIER®