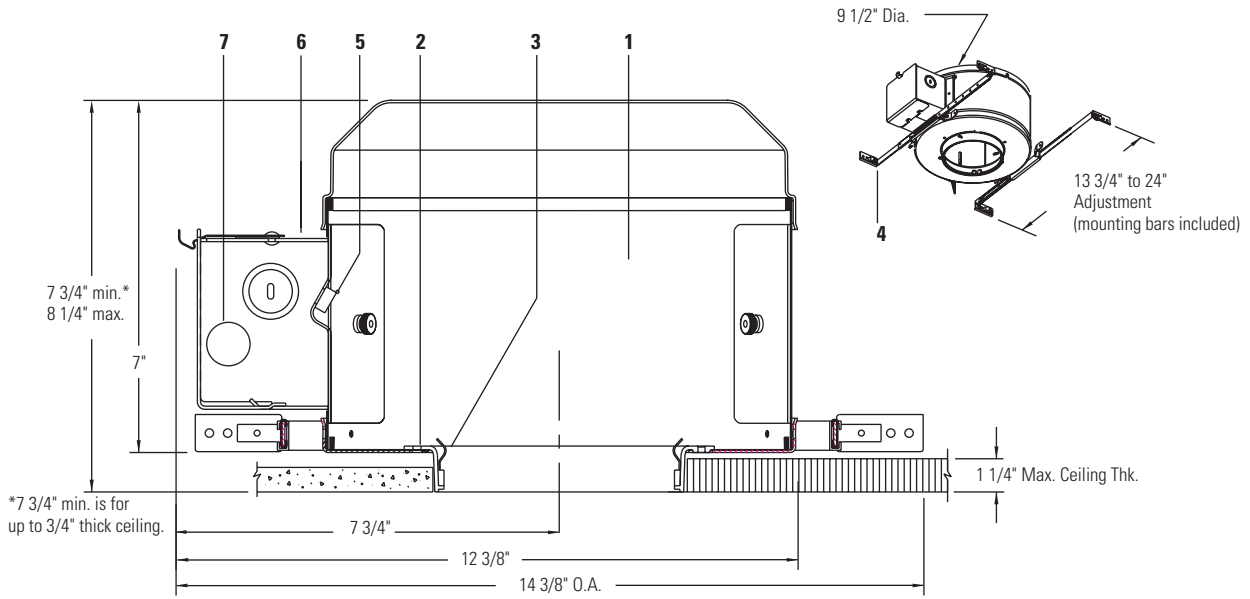




Calculite[®] Evolution Recessed Downlight **C4A120**

Page 1 of 1

4 1/2" Aperture Incandescent 120V Non-IC AirSeal[®] Frame-In Kit



Ceiling Cutout: 5 1/16" (129 mm) Dia.

Frame-In Kit	Reflector Trim				
C4A120	Open Downlight	Open Downlight	Adjustable Accent	Open Wall Washer/Downlight	Lensed Wall Washer
	C4AD 100W A19, MB19 100W BT15	C4P20D 50W PAR20 75W PAR16 75W BR19, R20	C4P20A 50W PAR20 75W PAR16	C4AW 100W A19, MB19 100W BT15	C4P20L 50W PAR20 75W PAR16

Features

- Housing:** Steel, 0.03" (22 ga.). Top Cover: Aluminum, 0.04" (14 ga.). Matte black finish. AirSeal[®] housing minimizes air leakage to less than 2CFM at 1.57 PSF (or 75pa).
- Mounting Frame:** Die-cast aluminum for dry or plaster ceilings. Locks into position along length of mounting bars with locking screws.
- Retaining Springs:** Precision-tooled steel springs secure reflector trim to mounting frame for quick, tool-less installation.
- Mounting Bars:** Galvanized steel, 0.06" (16 ga.). Bars pivot for easy installation and wire in below ceiling line. Bars extend to accommodate 16" to 24" O.C. joist spacing. Bars can accommodate 12" O.C. joist spacing after a slight field modification (see instruction sheet). Integral self-tapping screws for securing to wood or metal construction. Built-in tabs for locking to T-bars without the need of accessories.
- Snap-In Connectors:** Keyed to accept power and socket harnesses which are provided with reflector trim.
- Junction Box:** Galvanized steel .063" (14 ga.). UL Listed for maximum of 8 No. 12 AWG 90°C through branch circuit conductors. Accessible from inside and outside of fixture. Outside J-Box door is hinged for maximum opening. Snap-in plug is provided on inside cover for quick connection to power harness.
- Thermal Protector:** Meets NEC and UL requirements. Insulation must be kept 3" away from fixture sides and wiring compartments and must not be placed above fixture in a manner which will entrap heat.
- Reflector Trim:** Compatible reflector trims are listed above. See separate reflector trim specification sheets for complete catalog numbers and details.

Options and Accessories

Chicago Plenum: Add **LC** to frame suffix.

Label

UL Listed (Suitable for damp locations), I.B.E.W.
Air leakage is less than 2CFM at 75pa, tested in accordance with ASTM E-283.

Job Information

Type:

Job Name:

Cat. No.:

Lamp(s):

Notes:

Lightolier a Genlyte Thomas Company www.lightolier.com
631 Airport Road, Fall River, MA 02720 • (508) 679-8131 • Fax (508) 674-4710
We reserve the right to change details of design, materials and finish.
© 2011 Genlyte Thomas Group LLC (Lightolier Division) • B0711

LIGHTOLIER[®]