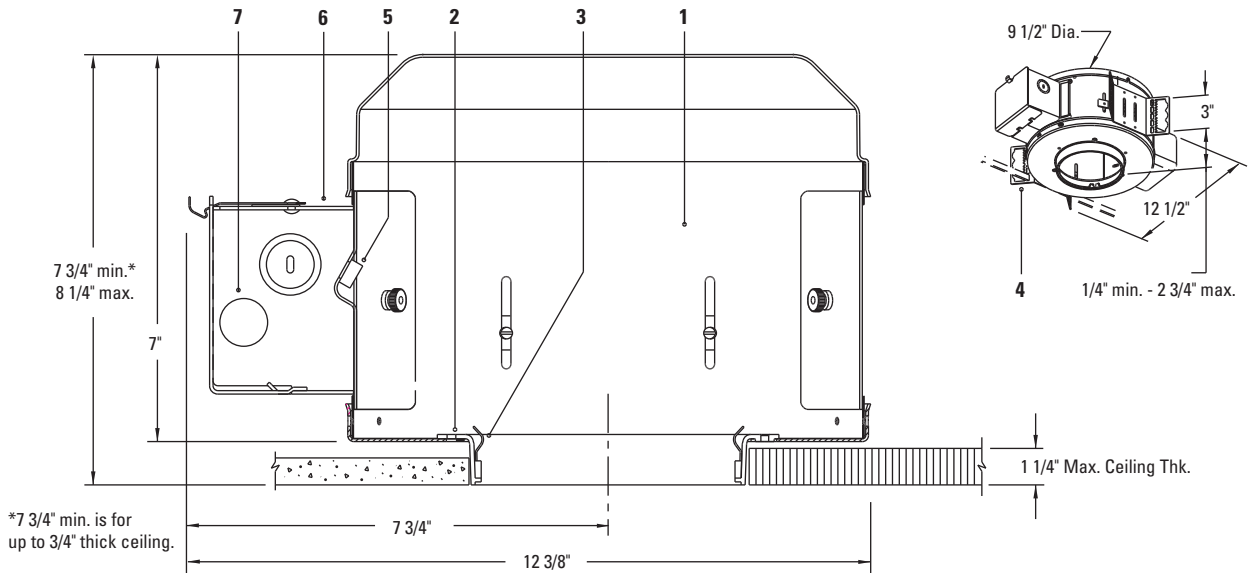


Calculite® Evolution Recessed Downlight **C4120**



Ceiling Cutout: 5 1/16" (129 mm) Dia.

Frame-In Kit	Reflector Trim				
C4120	Open Downlight	Open Downlight	Adjustable Accent	Open Wall Washer/Downlight	Lensed Wall Washer
	C4AD 100W A19, MB19 100W BT15	C4P20D 50W PAR20 75W PAR16 75W BR19, R20	C4P20A 50W PAR20 75W PAR16	C4AW 100W A19, MB19 100W BT15	C4P20L 50W PAR20 75W PAR16

Features

- Housing:** Steel, 0.03" (22 ga.). Top Cover (removable) Aluminum, 0.04" (14 ga.). Matte black finish.
- Mounting Frame:** Die-cast aluminum for dry or plaster ceilings.
- Retaining Springs:** Precision-tooled steel springs secure reflector trim to mounting frame for quick, tool-less installation.
- Mounting Brackets:** Galvanized steel, 0.06" (16 ga.). Adjust from inside and outside of fixture. Use 3/4" or 1 1/2" lathing channel, 1/2" EMT (by others), or optional Lightolier mounting bars.
- Snap-In Connectors:** Keyed to accept power and socket harnesses which are provided with reflector trim.
- Junction Box:** Galvanized steel .063" (14 ga.). UL Listed for maximum of 8 No. 12 AWG 90°C through branch circuit conductors. Accessible from inside and outside of fixture. Outside J-Box door is hinged for maximum opening. Snap-in plug is provided on inside cover for quick connection to power harness.
- Thermal Protector:** Meets NEC and UL requirements. Insulation must be kept 3" away from fixture sides and wiring compartments and must not be placed above fixture in a manner which will entrap heat.
- Reflector Trim:** Compatible reflector trims are listed above. See separate reflector trim specification sheets for complete catalog numbers and details.

Options and Accessories

- Mounting Bars:** **1950** - 18" set of (2)
1951 - 27" set of (2)
- T-Bars Anchor Clips:** **1956** - set of (4) for use w/bars above.

Options and Accessories (continued)

- Wood Joist Telescoping Bars:** **7994** - set of (2)
Chicago Plenum: Add **LC** to frame suffix.

Labels

UL Listed (suitable for damp locations), I.B.E.W.

Job Information	Type:
Job Name:	
Cat. No.:	
Lamp(s):	
Notes:	

Lightolier a Genlyte Thomas Company www.lightolier.com
 631 Airport Road, Fall River, MA 02720 • (508) 679-8131 • Fax (508) 674-4710
 We reserve the right to change details of design, materials and finish.
 © 2011 Genlyte Thomas Group LLC (Lightolier Division) • B0711

LIGHTOLIER®