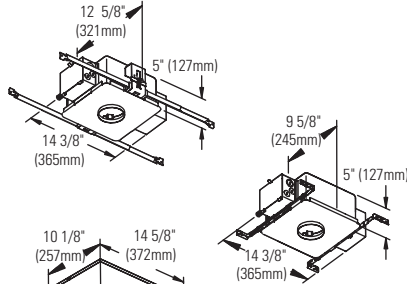


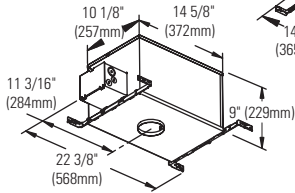
**Non-IC Frame:**

- C3LV
- C3LVE1
- C3LVE2



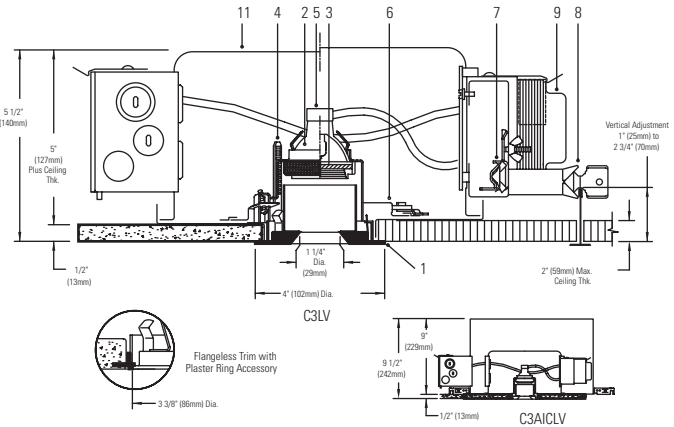
**Non-IC AirSeal Frame:**

- C3ALV
- C3ALVE1
- C3ALVE2



**IC AirSeal Frame:**

- C3AICLV
- C3AICLVE1



**Ceiling Cutout: 3 1/2" (130mm) Dia. For Complete Fixture Order: Trim Kit + Frame-In Kit. Each Sold Separately.**

Trim Kit				Frame-In Kit			Lamp*
	Trim Plate			C3LV	Non-IC	Magnetic 120/277V	42W-65W MR16 (12V)
Baffle Finish	Painted White	Satin Aluminum	Flangeless	C3LVE1	Non-IC	Electronic 120V	20W-65W MR16 (12V)
Matte White	<b>C3MRPD WH</b>	<b>NA</b>	<b>C3MRPD WHFT</b>	C3LVE2	Non-IC	Electronic 277V	20W-65W MR16 (12V)
Matte Black	<b>C3MRPD BK</b>	<b>NA</b>	<b>C3MRPD BKFT</b>	C3ALV	Non-IC AirSeal®	Magnetic 120/277V	42W-65W MR16 (12V)
Satin Aluminum	<b>NA</b>	<b>C3MRPD SA</b>	<b>C3MRPD SAFT</b>	C3ALVE1	Non-IC AirSeal®	Electronic 120V	20W-65W MR16 (12V)
				C3ALVE2	Non-IC AirSeal®	Electronic 277V	20W-65W MR16 (12V)
				C3AICLV	IC AirSeal®	Magnetic 120V	20W-50W MR16 (12V)
				C3AICLVE1	IC AirSeal®	Electronic 120V	20W-50W MR16 (12V)

**Note:** Magnetic not recommended for residential or noise sensitive areas.

## Features

- Trim Kit Baffle/Trim Plate:** One piece machined aluminum, sharp details for clean look. 1 1/4" dia. miniature baffle and built-in aperture shield minimize and blocks view into fixture. Keyed to lamp support assembly for true aiming of lamp to prevent incorrect installation of cone. Hinged, and snaps on for easy tool-less installation. Trim plate in painted white or anodized satin aluminum. Flangeless trim (reduced trim plate for miniature appearance) used with Plaster Trim Ring accessory. Interchangeable with other 3" Evolution trims.
- Lamp Support:** Die-form aluminum with knurled surface for easy gripping during relamping. Spring tension clips hold lamp and lens and allow fast snap-in, snap-out relamping. Matte black finish. Accepts up to two 2" diameter accessories.
- Cover Glass:** High temperature, soft focus lens.
- Thick Ceiling Ready Brackets:** Die-form steel, matte black finish. Adjust trim kit vertically to accommodate up to 2" thick ceiling, lockable.
- Lampholder:** Procelain bi-pin socket. Pre-wired with No.18 AWG Teflon leads.
- Horizontal Adjustment Mechanism:** Built-in ready for adjustable trim, matte black finish.
- Frame Vertical Adjustment Mechanism (C3LV):** Accommodates mounting to virtually any ceiling system using pre-installed mounting bars, or 1/2" EMT tubing (by others). Single locking features secures all adjustments. Alignment holes and markings allow fixture to be pre-set prior to installation. Final adjustment can be made from below inside fixture.
- Mounting Bars (C3LV):** Galvanized steel, 0.048"; pre-installed telescoping bars extend from 20" to 30" long and lock securely into position. Built-in locking tabs provide positive attachment to common T-bar systems. Self-centering feature simplified installation in 24"O.C. grid systems. Attaches to steel or wood joists without accessories.
- Transformer:** Replaceable from below. Magnetic: 120V/277V 60 Hz. dual-voltage, core & coil. Note: Magnetic not recommended for residential or noise sensitive areas. Electronic: 120V or 277V 50/60 Hz., regulated lamp voltage, HPF, EMI and circuit protections, thermal auto-reset, quiet operation.

## Features (cont.)

- Frame-In Kit:** See Frame-In Kit specification sheets for more information. Non-IC and Non-IC AirSeal - Insulation must be kept 3" away from any parts of the luminaire and must not be placed above luminaire in a manner which will entrap heat. IC AirSeal - Luminaire may be in direct contact with thermal insulation.

## Label

U.L. (Suitable For Damp Locations), I.B.E.W.  
 \*Lamp wattage restriction for Non-IC: 65W for up to 1" thick ceiling, 50W for ceiling thickness greater than 1" (up to 2").

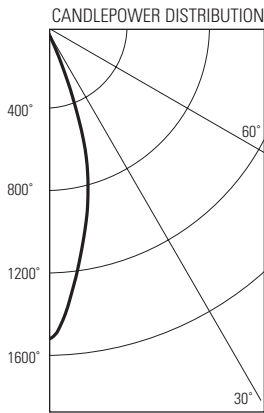
## Options and Accessories

- 2" dia. Color Filters/Specialty filters:** See ADF2/AF2 specification sheets
- 2" Dia. Louver:** AL2HC
- Plaster Trim Ring (use with flangeless trim):** CA3FMR
- Chicago Plenum:** Consult Factory

Job Information	Type:
<b>Job Name:</b>	
<b>Cat. No.:</b>	
<b>Lamp(s):</b>	
<b>Notes:</b>	

631 Airport Road, Fall River, MA 02720 • (508) 679-8131 • Fax (508) 674-4710  
 We reserve the right to change details of design, materials and finish.  
 www.lightolier.com © 2011 Philips Group • G0711

### 37W MR16 IR - 40° Flood Sylvania Halogen Lamp, Lumen Rating = 840 LMS, 120V Electronic Transformer



ANGLE LUMENS	MEAN CP
0	1524
5	1350
10	1069
15	813
20	485
25	139
30	24
35	7
40	1
45	0
50	0
55	0
60	0
65	0
70	0
75	0
80	0
85	0
90	0

LUMINANCE SUMMARY CD. / SQ.M.	
ANGLE	MEAN CD/SQ M
45	0
55	0
65	0
75	0
85	0

ZONAL LUMENS AND PERCENTAGES			
ZONE	LUMENS	% LAMP	%LUMINAIRE
0-30	442	52.70	98.47
0-40	448	53.42	99.81
0-60	449	53.51	99.97
0-90	449	53.52	100.00
40-90	0	0.10	0.19
60-90	0	0.01	0.03
90-180	0	0.00	0.00
0-180	449	53.52	100.00

#### Coefficients of Utilization

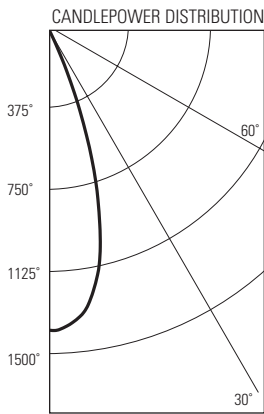
CEILING	80%		70%		50%		30%		0		
	70	50	30	10	50	10	50	10			
WALL	Zonal Cavity Method - Effective Floor Cavity Reflectance = 20%										
RCR	Zonal Cavity Method - Effective Floor Cavity Reflectance = 20%										
0	.64	.64	.64	.64	.62	.62	.59	.59	.57	.57	.54
1	.62	.61	.60	.60	.60	.59	.58	.57	.56	.55	.53
2	.60	.59	.58	.57	.58	.56	.56	.55	.55	.54	.52
3	.59	.57	.56	.54	.56	.54	.55	.53	.54	.52	.51
4	.58	.56	.54	.53	.55	.52	.54	.52	.53	.51	.50
5	.57	.54	.52	.51	.54	.51	.53	.50	.52	.50	.49
6	.56	.53	.51	.50	.53	.50	.52	.49	.51	.49	.48
7	.54	.52	.50	.49	.51	.48	.51	.48	.50	.48	.47
8	.53	.50	.49	.48	.50	.47	.50	.47	.49	.47	.46
9	.52	.49	.48	.46	.49	.46	.49	.46	.48	.46	.46
10	.51	.48	.47	.45	.48	.45	.48	.45	.48	.45	.45

\*\* EFFICIENCY = 53.5% \*\*  
SC = .5

CERTIFIED TEST REPORT NO. 2739FR DATE: SEPT 24, 2004  
COMPUTED BY LSI PROGRAM \*\*TEST-LITE\*\*

LUMINAIRE INPUT WATTS = 38

### 50W MR16 IR - 40° Flood GE Halogen Lamp, Lumen Rating = 800 LMS, 120V Electronic Transformer



ANGLE LUMENS	MEAN CP
0	1391
5	1364
10	1234
15	944
20	539
25	166
30	31
35	7
40	2
45	0
50	0
55	0
60	0
65	0
70	0
75	0
80	0
85	0
90	0

LUMINANCE SUMMARY CD. / SQ.M.	
ANGLE	MEAN CD/SQ M
45	0
55	0
65	0
75	0
85	0

ZONAL LUMENS AND PERCENTAGES			
ZONE	LUMENS	% LAMP	%LUMINAIRE
0-30	491	61.43	98.34
0-40	498	62.36	99.83
0-60	499	62.45	99.97
0-90	499	62.47	100.00
40-90	0	0.11	0.17
60-90	0	0.02	0.03
90-180	0	0.00	0.00
0-180	499	62.47	100.00

#### Coefficients of Utilization

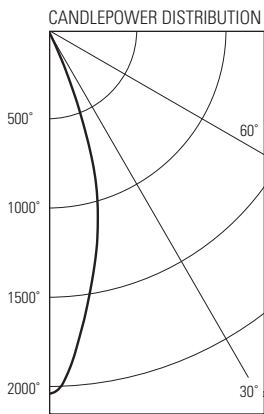
CEILING	80%		70%		50%		30%		0		
	70	50	30	10	50	10	50	10			
WALL	Zonal Cavity Method - Effective Floor Cavity Reflectance = 20%										
RCR	Zonal Cavity Method - Effective Floor Cavity Reflectance = 20%										
0	.74	.74	.74	.74	.73	.73	.69	.69	.66	.66	.62
1	.72	.71	.70	.70	.70	.68	.68	.66	.65	.64	.62
2	.70	.69	.67	.66	.68	.65	.66	.64	.64	.63	.60
3	.69	.67	.65	.63	.66	.63	.64	.62	.63	.61	.60
4	.67	.65	.63	.61	.64	.61	.63	.60	.62	.60	.58
5	.66	.63	.61	.59	.62	.59	.61	.59	.61	.58	.57
6	.65	.62	.59	.58	.61	.58	.60	.57	.60	.57	.56
7	.63	.60	.58	.56	.60	.56	.59	.56	.58	.56	.55
8	.62	.59	.57	.56	.58	.55	.58	.55	.57	.55	.54
9	.61	.57	.55	.54	.57	.54	.57	.54	.56	.53	.53
10	.59	.56	.54	.53	.56	.53	.55	.53	.55	.52	.52

\*\* EFFICIENCY = 62.5% \*\*  
SC = .6

CERTIFIED TEST REPORT NO. 2720FR DATE: SEPT 5, 2004  
COMPUTED BY LSI PROGRAM \*\*TEST-LITE\*\*

LUMINAIRE INPUT WATTS = 51

### 50W MR16 IR - 40° Flood Sylvania Halogen Lamp, Lumen Rating = 1125 LMS, 120V Electronic Transformer



ANGLE LUMENS	MEAN CP
0	2041
5	1808
10	1433
15	1089
20	650
25	186
30	33
35	9
40	2
45	1
50	1
55	1
60	0
65	0
70	0
75	0
80	0
85	0
90	0

LUMINANCE SUMMARY CD. / SQ.M.	
ANGLE	MEAN CD/SQ M
45	0
55	0
65	0
75	0
85	0

ZONAL LUMENS AND PERCENTAGES			
ZONE	LUMENS	% LAMP	%LUMINAIRE
0-30	593	52.72	98.39
0-40	601	53.45	99.75
0-60	602	53.57	99.97
0-90	602	53.59	100.00
40-90	1	0.13	0.25
60-90	0	0.02	0.03
90-180	0	0.00	0.00
0-180	602	53.59	100.00

#### Coefficients of Utilization

CEILING	80%		70%		50%		30%		0		
	70	50	30	10	50	10	50	10			
WALL	Zonal Cavity Method - Effective Floor Cavity Reflectance = 20%										
RCR	Zonal Cavity Method - Effective Floor Cavity Reflectance = 20%										
0	.64	.64	.64	.64	.62	.62	.60	.60	.57	.57	.54
1	.62	.61	.60	.60	.60	.59	.58	.57	.56	.55	.53
2	.60	.59	.58	.57	.58	.56	.56	.55	.55	.54	.52
3	.59	.57	.56	.54	.56	.54	.55	.53	.54	.52	.51
4	.58	.56	.54	.53	.55	.52	.54	.52	.51	.51	.50
5	.57	.54	.52	.51	.54	.51	.53	.50	.52	.50	.49
6	.56	.53	.51	.50	.53	.50	.52	.49	.51	.49	.48
7	.54	.52	.50	.49	.51	.48	.51	.48	.50	.48	.47
8	.53	.50	.49	.48	.50	.47	.50	.47	.49	.47	.46
9	.52	.49	.48	.46	.49	.46	.49	.46	.48	.46	.46
10	.51	.48	.47	.45	.48	.45	.48	.45	.48	.45	.45

\*\* EFFICIENCY = 53.6% \*\*  
SC = .5

CERTIFIED TEST REPORT NO. 2721FR DATE: SEPT 5, 2004  
COMPUTED BY LSI PROGRAM \*\*TEST-LITE\*\*

LUMINAIRE INPUT WATTS = 51

#### Job Informationv Type:

631 Airport Road, Fall River, MA 02720 • (508) 679-8131 • Fax (508) 674-4710  
We reserve the right to change details of design, materials and finish.  
www.lightolier.com © 2011 Philips Group • G0711