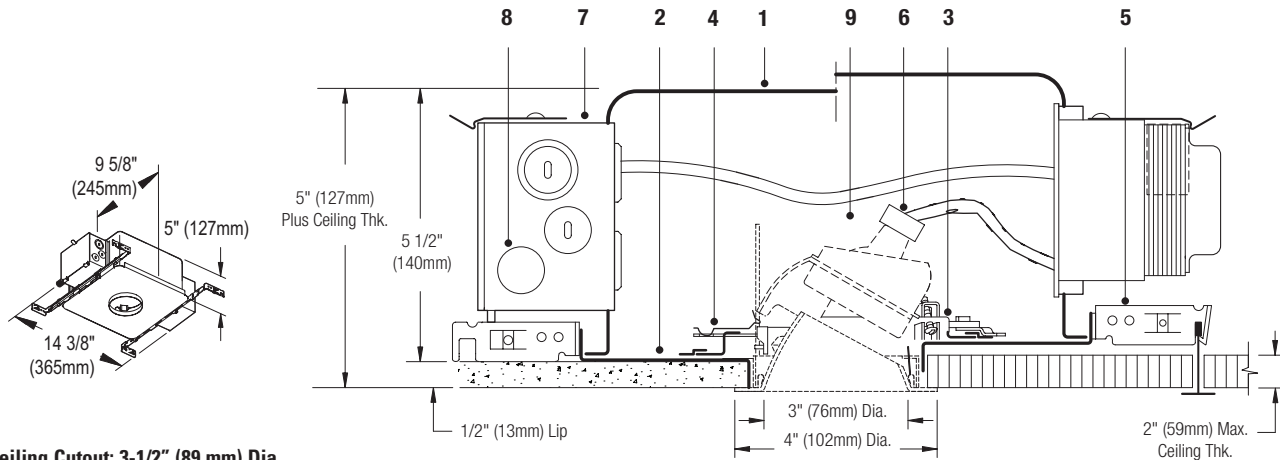


Calculite® Evolution Non-IC Airseal® Frame-In Kit **C3ALV**



Ceiling Cutout: 3-1/2" (89 mm) Dia.

For Complete Fixture Order: Trim Kit + Frame-In Kit. Each Sold Separately.

Frame-In Kit		Lamp*	Trim Kit (See individual Trim Kit Specification Sheets)							
			Downlight		Wall Washer	Adjustable Accent		Glasslite	Glasslite	
			Open Reflector	1 1/4" Pinhole	Downlight (Wet Loc.)	Cone	Cone (Wet Loc.)	1 1/4" (Wet Loc.)	Downlight (Wet Loc.)	Adjustable (Wet Loc.)
C3ALV	Magnetic 120V/277V	42W-65W MR16 (12V)	C3MRD	C3MRPD	C3MRL	C3MRA	C3MRW	C3MRPA	C3MRGD	C3MRGA
C3ALVE1	Electronic 120V	20W-65W MR16 (12V)	Series	Series	Series	Series	Series	Series	Series	Series
C3ALVE2	Electronic 277V	20W-65W MR16 (12V)								

* Lamp wattage restriction: 65W for up to 1" thick ceiling, 50W for ceiling thickness greater than 1" (up to 2")

Note: Magnetic not recommended for residential or noise sensitive areas.

Features

- Housing:** Drawn, 0.036" (20 Ga.) steel. Matte black finish. Tight rigidly built housing minimizes air leakage to less than 2 CFM at 1.57 PSF (or 75pa), which complies with Model Energy Code and Washington State Energy Code and reduces heat loss and condensation in ceiling.
- Mounting Frame:** Die-formed, 0.036" (20 Ga.) steel, matte black finish. 1/2" deep integral lip. Four slots are positioned 90° apart to simplify alignment.
- Trim Kit Horizontal Adjustment Mechanism:** Die-formed steel ring, matte black finish. Provides 362° horizontal stop, lockable with Philips screwdriver.
- Thick Ceiling Vertical Adjustment Mechanism:** Adjustable trim kit vertically to accommodate up to 2" thick ceiling, tool less and lockable.
- Mounting Bars:** Galvanized steel, 0.059" (#16 ga.). Bars pivot for easy attachment and wire-in below ceiling line. Pre-installed telescoping bars extend to accommodate 16" to 24" O.C. joist spacing. Bars can accommodate 12" O.C. joist spacing after a slight field modification. Integral nails for secure attachment to wood; attach to T-bar ceilings with out the need of accessories.
- Lampholder:** Procelain bi-pin socket. Pre-wired with No.18 AWG Teflon leads.
- Junction Box:** 3-1/2" X 4" X 2-3/8" deep; 0.063" (#14 ga.) galvanized steel. UL listed for maximum of (8) No. 12 AWG 90° C through branch circuit conductors. Accessible from inside and outside of luminaire. Outside J-Box door is hinged for maximum opening.
- Thermal Protector:** Meets NEC and UL requirements. Insulation must be kept 3" away from any parts of the luminaire and must not be placed above luminaire in a manner which will entrap heat.
- Trim Kit:** Order Separately. See individual trim kit specification sheets for information.

Electrical:

Transformer: Replaceable from below; Transformer door rotates into fixture, positioning transformer directly over aperture to allow one-handed removal

Magnetic: 120V/277V 60 Hz. dual-voltage, core & coil. (Note: Magnetic not recommended for residential or noise sensitive areas.) **Electronic:** 120V or 277V 50/60 Hz., regulated lamp voltage, HPF, EMI and circuit protections, thermal auto-reset, quiet operation.

Dimming Controls: Use only dimmers specifically designed for use with magnetic or electronic transformers. Consult Lightolier Control for information. Low voltage luminaires may produce audible sound when used with dimmers, which may be objectionable in acoustically critical areas.

Labels

U.L. (Suitable For Damp Locations), I.B.E.W.

Complies with Air Leakage Requirements as stated in the Model Energy Code and the Washington State Energy Code.

Options and Accessories

Plaster Trim Ring (use with flangeless trim kit): CA3FMR

Job Information	Type:
Job Name:	
Cat. No.:	
Lamp(s):	
Notes:	

Lightolier a Genlyte company www.lightolier.com
 631 Airport Road, Fall River, MA 02720 • (508) 679-8131 • Fax (508) 674-4710
 We reserve the right to change details of design, materials and finish.
 © 2011 Genlyte Group LLC • E0711