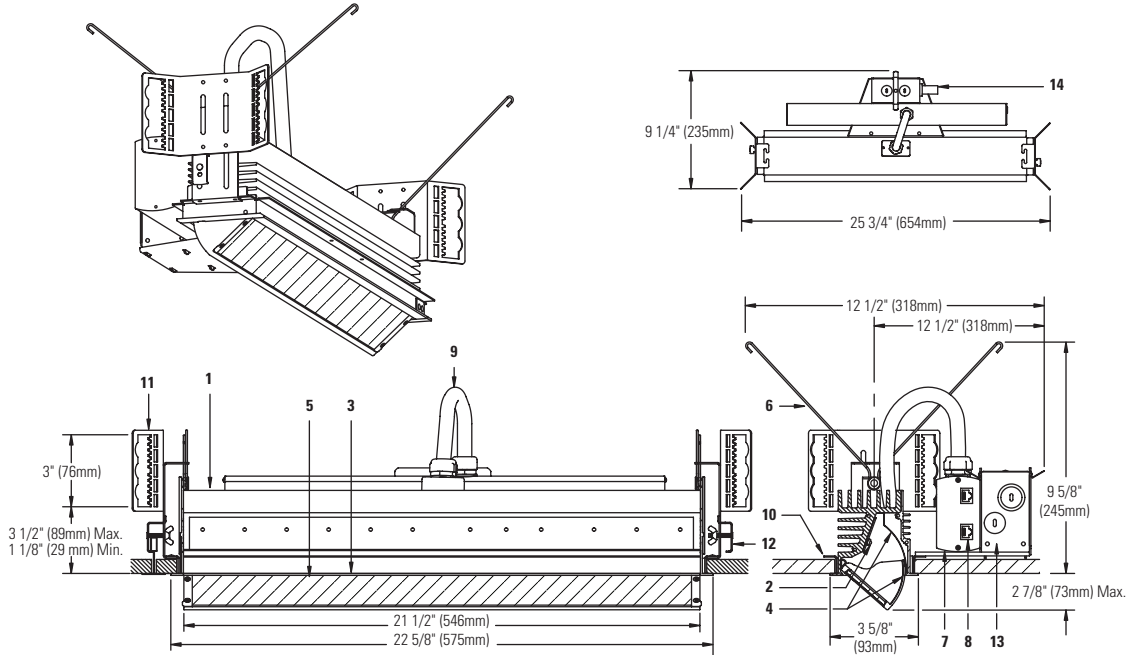


LIGHTOLIER® Calculite® ColorWash C2X21LEDWW240

Page 1 of 2

2 1/2" X 21 1/2" Aperture, LED Color-Changing Adjustable Wall Washer for Export



Ordering Information

| Solid State Lighting Unit | Finish | Light Source | Frame-In Kit | Line Voltage |
|---------------------------|-------------|----------------|-----------------|--------------|
| C2X21LEDWWWH | Matte White | RGBA LED Array | C2X21CCLEDWW240 | 240, 50 Hz |
| C2X21LEDWWBK | Matte Black | | | |

Features

- Heat Sink Housing:** Extruded aluminum, design thermally optimized to reduce LED junction temperature to maintain light output, color and life. Matte white or black flange.
- LED Array:** Series of 48 high-power red, green, blue and amber (RGBA) LEDs generate millions of colors and high quality white light at variable color temperatures. Static colors and dynamic effects are programmable by DMX controls. Average expected life, under normal operating conditions is 50,000 hours with lumen maintenance of 70% of original light output. Factory calibrated integral color sensor and self-adjusting feedback software guarantee color consistency over life.
- Adjustable Reflector Housing:** Molded high temperature polymer, matte white or black finish. Adjusts from 0° - 45° vertically to accommodate various ceiling heights and luminaire to wall mounting distance to ensure smooth, even wall washing from ceiling line to floor; built-in vertical angle indicators aid in aligning multiple luminaires; lockable.
- MicroBlend optics:** Internal collective mixing technology ensures smooth washing and color uniformity and eliminates undesirable color fringing.
- Aperture Lens:** Tempered glass, fine texture provides additional mixing at the aperture and minimizes the appearance of the individual RGBA sources.
- Torsionite Springs:** Secure solid state lighting module tight against ceiling surface without sagging. Accommodates ceilings from 1/2" to 2" thick.
- Power Supply Unit/Slave Control Drive Module:** PSU: 240VAC 50/60 Hz., Class 2, high power factor, FCC Class B approved, short circuit protection. SCD: low voltage DC, provides power and data to control LED array with a maximum of 8 LED channels. Electronics are enclosed in a black extruded aluminum housing providing optimal thermal dissipation for reliable operation and long life. Module is replaceable from below the ceiling.
- DMX Connectors:** Two RJ45 jacks mounted at one end of PSU/SCD module provide DMX512-In and DMX512-Out connections (see page 2). Uses standard shielded, plenum rated (required for plenum ceilings), CAT5 round, 8 conductor, twisted pair, network cables (not supplied)

Features (continued)

- Flexible Metal Conduit/Quick Connector:** Quick connector for easy field data connection.
- Mounting Frame:** 0.048" thk., galv. steel.
- Mounting Brackets:** 0.060" galv. steel, adjust from inside of fixture. Use 3/4" or 1 1/2" lathing channel, 1/2" EMT, or optional mounting bars.
- T-bar Mounting Clips:** Provide quick installation to 1 1/2" to 3" high 2 ft. on center T-Bar grid ceiling systems without use of tool.
- Junction Box:** UL and cUL Listed for through branch circuit wiring with max. of (8) No. 12 AWG, 90°C supply conductors.
- Thermal Protector:** Meets (NEC) UL and (CEC) CSA requirements. Insulation must be kept 3" away from fixture sides and wiring compartments and must not be placed above fixture in a manner which will entrap heat.

Electrical

240V, 50/60Hz: Input Watts: 75W Max.

Labels

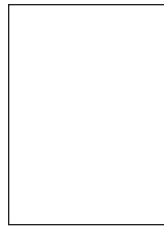
cULus Listed for dry locations. I.B.E.W.

| Job Information | Type: |
|------------------|-------|
| Job Name: | |
| Cat. No.: | |
| Lamp(s): | |
| Notes: | |

631 Airport Road, Fall River, MA 02720 • (508) 679-8131 • Fax (508) 674-4710
 We reserve the right to change details of design, materials and finish.
 www.lightolier.com © 2008 Philips Group • A0708

LIGHTOLIER® Calculite® ColorWash C2X21LEDWW240

Lighting Data (All data is based on 3000K color temperature and 45° tilt)

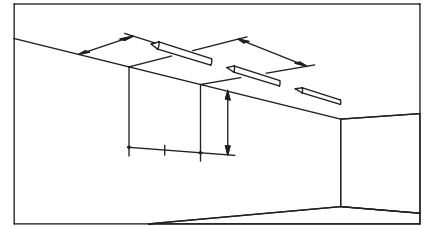


Color Temperature: 3000K

Max. Tilt: 45°

Report No: 22906

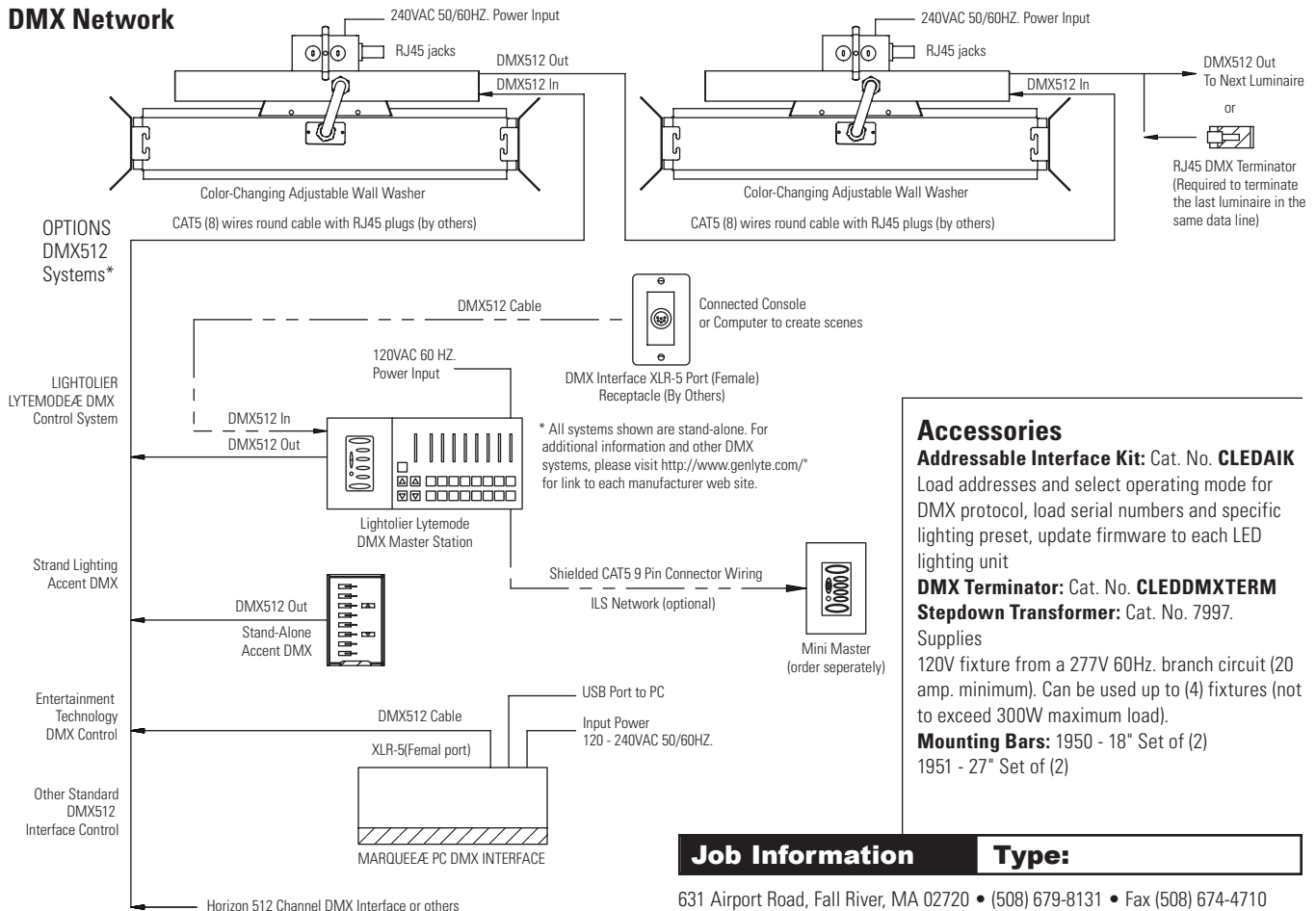
Example: With multiple units located 3' from wall and spaced 4' on center, the illumination on the wall 3' down from ceiling will be 30 f.c. beneath units and 29 f.c. between units. Footcandle values are averaged and rounded off and are based on a minimum of five units.



| 2' From Wall - Single | | | | | | 2' From Wall - 2' On Center | | | | | | 2' From Wall - 3' On Center | | | | | | 2' From Wall - 4' On Center | | | | | |
|-----------------------|---|----|----|----|---|-----------------------------|----|----|----|---|----|-----------------------------|----|---|----|----|----|-----------------------------|--|--|--|--|--|
| 1 | 1 | 12 | 56 | 12 | 1 | 1 | 84 | 83 | 84 | 1 | 64 | 48 | 64 | 1 | 59 | 25 | 59 | | | | | | |
| 2 | 2 | 17 | 49 | 17 | 2 | 2 | 87 | 87 | 87 | 2 | 61 | 56 | 61 | 2 | 53 | 34 | 59 | | | | | | |
| 3 | 2 | 12 | 26 | 12 | 2 | 3 | 57 | 57 | 57 | 3 | 38 | 38 | 38 | 3 | 31 | 26 | 31 | | | | | | |
| 4 | 2 | 7 | 12 | 7 | 2 | 4 | 31 | 31 | 31 | 4 | 21 | 21 | 21 | 4 | 16 | 15 | 16 | | | | | | |
| 5 | 1 | 4 | 5 | 4 | 1 | 5 | 18 | 18 | 18 | 5 | 12 | 12 | 12 | 5 | 9 | 9 | 9 | | | | | | |
| 6 | 1 | 2 | 3 | 2 | 1 | 6 | 11 | 11 | 11 | 6 | 8 | 7 | 8 | 6 | 5 | 5 | 5 | | | | | | |
| 7 | 1 | 1 | 1 | 1 | 1 | 7 | 8 | 8 | 8 | 7 | 5 | 5 | 5 | 7 | 4 | 4 | 4 | | | | | | |
| 8 | 1 | 1 | 1 | 1 | 1 | 8 | 6 | 6 | 6 | 8 | 4 | 4 | 4 | 8 | 3 | 3 | 3 | | | | | | |
| 9 | 0 | 1 | 1 | 1 | 0 | 9 | 4 | 4 | 4 | 9 | 3 | 3 | 3 | 9 | 2 | 2 | 2 | | | | | | |

| 3' From Wall - Single | | | | | | 3' From Wall - 3' On Center | | | | | | 3' From Wall - 4' On Center | | | | | | 3' From Wall - 5' On Center | | | | | | 3' From Wall - 6' On Center | | | | | |
|-----------------------|---|----|----|----|---|-----------------------------|----|----|----|---|----|-----------------------------|----|---|----|----|----|-----------------------------|----|----|----|--|--|-----------------------------|--|--|--|--|--|
| 1 | 2 | 10 | 25 | 10 | 2 | 1 | 34 | 32 | 34 | 1 | 28 | 20 | 28 | 1 | 27 | 13 | 27 | 1 | 26 | 8 | 25 | | | | | | | | |
| 2 | 3 | 13 | 27 | 13 | 3 | 2 | 41 | 41 | 41 | 2 | 33 | 28 | 33 | 2 | 30 | 19 | 30 | 2 | 28 | 13 | 28 | | | | | | | | |
| 3 | 3 | 13 | 23 | 13 | 3 | 3 | 40 | 40 | 40 | 3 | 30 | 29 | 30 | 3 | 26 | 21 | 26 | 3 | 25 | 15 | 25 | | | | | | | | |
| 4 | 3 | 10 | 15 | 10 | 3 | 4 | 31 | 31 | 31 | 4 | 23 | 23 | 23 | 4 | 19 | 18 | 19 | 4 | 17 | 13 | 17 | | | | | | | | |
| 5 | 3 | 7 | 9 | 7 | 3 | 5 | 22 | 22 | 22 | 5 | 16 | 16 | 16 | 5 | 13 | 13 | 13 | 5 | 11 | 10 | 11 | | | | | | | | |
| 6 | 2 | 4 | 5 | 4 | 2 | 6 | 15 | 15 | 15 | 6 | 11 | 11 | 11 | 6 | 9 | 9 | 9 | 6 | 7 | 7 | 7 | | | | | | | | |
| 7 | 2 | 3 | 3 | 3 | 2 | 7 | 10 | 10 | 10 | 7 | 7 | 7 | 7 | 7 | 6 | 6 | 6 | 7 | 5 | 5 | 5 | | | | | | | | |
| 8 | 1 | 2 | 2 | 2 | 1 | 8 | 7 | 7 | 7 | 8 | 5 | 5 | 5 | 8 | 4 | 4 | 4 | 8 | 3 | 3 | 3 | | | | | | | | |
| 9 | 1 | 1 | 1 | 1 | 1 | 9 | 5 | 5 | 5 | 9 | 4 | 4 | 4 | 9 | 3 | 3 | 3 | 9 | 3 | 3 | 3 | | | | | | | | |

DMX Network



631 Airport Road, Fall River, MA 02720 • (508) 679-8131 • Fax (508) 674-4710
 We reserve the right to change details of design, materials and finish.
 www.lightolier.com © 2008 Philips Group • A0708