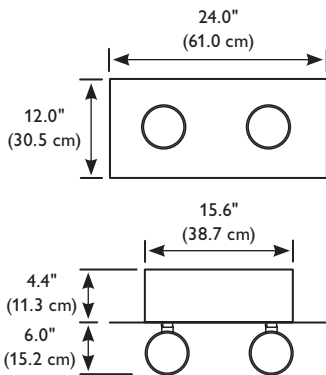


C2 Series

RECESSED EMERGENCY LIGHTING

Page 1 of 2

C2125L2RT6



Features

Illumination: Illumination is provided by up to four adjustable lamp heads. Choose from round or rectangular thermoplastic heads with Par 36 sealed beam tungsten or halogen, or wedge base tungsten or halogen lamps. Lamp heads are factory installed. The suggested head is Lightolier's "R" series wedge base tungsten round lamp head.

Housing: Faceplate constructed of 18 gauge steel with a white epoxy powder coat finish; backbox 20 gauge steel. Up to four lamp heads can be mounted on units. Lamp head choices include round or rectangular white thermoplastic to match housing. Designed for easy, drop-in installation into suspended ceilings.

Operating Temperature

Range: Standard Location
65°F (19°C) to 85°F (30°C)

Electronics: 120/277 VAC dual voltage input with surge-protected, solid-state charging circuitry provides for a reliable charging system. Charging system is complete with low voltage disconnect, AC lockout, brownout protection, AC indicator lamp and test switch.

Electrical Specifications:

0.150 A, 18 W max. (120 VAC)

0.065 A, 18 W max. (277 VAC)

Code Compliance

UL 924 listed. NFPA 101, NEC, BOCA, OSHA and IBC illumination standards. Chicago Approved City Plan No. 1879E.

Warranty

Three year full electronics warranty. One year full plus four year prorated lead calcium battery warranty. Five year full plus five year prorated nickel cadmium battery warranty.

Job Information Type:

Job Name:

Cat. No.:

Notes:

PHILIPS

LIGHTOLIER

C2 Series

RECESSED EMERGENCY LIGHTING

Page 2 of 2

Ordering Information

C2					
Series	DC Voltage	Battery	# of Heads	Lamp Heads	Factory Installed Options ¹
C2 = Recessed Emergency Lighting Unit	1 = 6 V 2 = 12 V	6 V Lead Calcium 25L = 25 W Unit 50L = 50 W Unit 6 V Nickel Calcium 14N = 14 W Unit 25N = 25 W Unit 12 V Lead Calcium 50L = 50 W Unit 12 V Nickel Calcium 25N = 25 W Unit 50N = 50 W Unit	1 = One 2 = Two 3 = Three 4 = Four Blank = No Heads	6V Round Wedge Base RT6 = 5.4 W Tungsten RT7 = 7.2 W Tungsten RT9 = 9 W Tungsten RH7 = 7 W Halogen RH10 = 10 W Halogen RH12 = 12 W Halogen 12V Round Wedge Base RT9 = 9 W Tungsten RT12 = 12.5 W Tungsten RT18 = 17.9 W Tungsten RH12 = 12 W Halogen	T1 = 120 VAC Time Delay ² T2 = 277 VAC Time Delay ² V = Voltmeter A = Ammeter F1 = 120 VAC Fuse F2 = 277 VAC Fuse P1 = 120 VAC Power Switch P2 = 277 VAC Power Switch

Note

- 1) Some option combinations may impact UL listing. Consult factory for specifics.
- 2) 15 minute delay.



Philips Lightolier
 e: lol.webmaster@philips.com
 t: (508) 679-8131
 w: www.lightolier.com

C2 Series September 1, 2011

Specifications are subject to change without notice.
 © Koninklijke Philips Electronics N.V., 2011. All rights reserved.

Job Information	Type:
------------------------	--------------