

Belmont Spill Frame **BESF2X4**

Page 1 of 2

Architectural Surface Fluorescent
15-1/2" Wide, 50" Length, 4 Lamp T8

Features

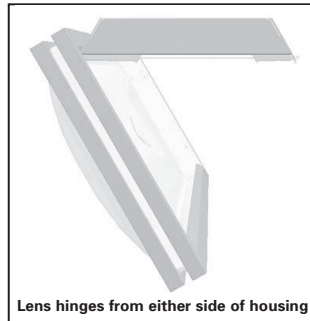
- Excellent for lighting Cafeterias, Small Offices, Corridors, Kitchens and Family Rooms.
- Unique rectangular double frame creates uninterrupted spill of light from all four sides.
- Extruded Aluminum Frame with mitered corners.
- 1/8" thick white acrylic lens containing 25% DR.
- Only 3-3/4" total depth.
- Step back housing for an apparent depth of 1-1/2".
- 63.1% efficient (2 lamp T8)
- Lens opens and hinges from either side.
- Zip-clip flush mount on T-grid ceilings.
- Off-center 7/8" K.O. for flush mount to T-grid ceiling.



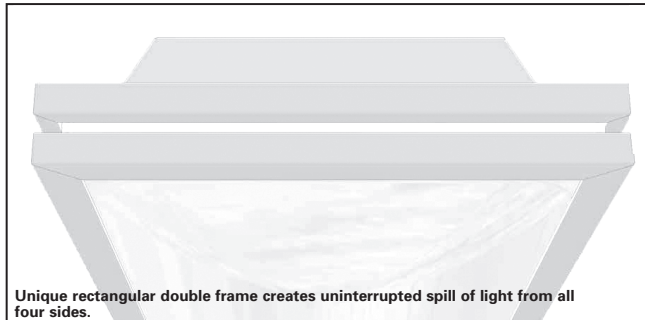
Features



Offset ballast mounting and 7/8" knockouts

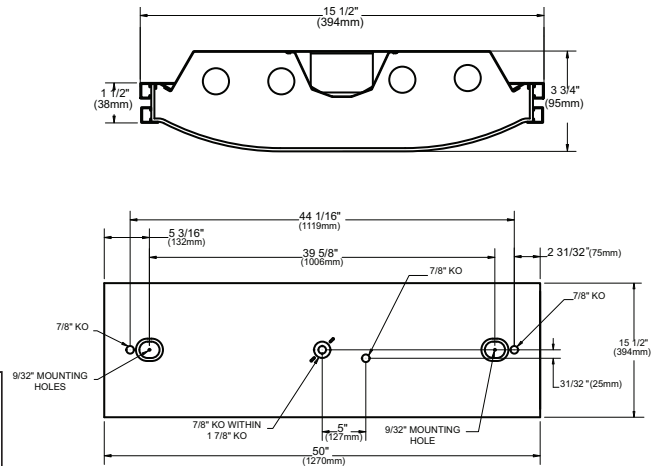


Lens hinges from either side of housing



Unique rectangular double frame creates uninterrupted spill of light from all four sides.

Dimensions



Job Information

Type:

Job Name:

Cat. No.:

Lamp(s):

Volts/Ballast:

Lightolier a Genlyte company

www.lightolier.com

Technical Information: (978) 657-7600 • Fax (978) 658-0595

631 Airport Road, Fall River, MA 02720 • (508) 679-8131 • Fax (508) 674-4710

We reserve the right to change details of design, materials and finish.

© 2007 a Genlyte company

Section 3A/Folio H10-12

Belmont Spill Frame **BESF2X4**

Ordering Information

Chase Code:

BE	2		4	32	UNV		
Belmont Architectural Fluorescent	Fixture Width: 2 = 15 1/2" wide	Body Finish: W = White B = Black	Lamp Quantity 4 = 4 Lamp T8	Lamp: (By Others) 32 = T8 32W (Nominal 24")	Voltage: UNV=120-277	Ballast Type:	Options: Add appropriate suffix to catalog no., ie: (GLR) Consult factory for additional options
						<10THD HI † H4 †	
					2 - 2 Lamp Elec. T8 (32 Watt) 1 - 4 Lamp Elec. T8 (32 Watt) †Instant Start (UNV)		

NOTE: Chassis and shielding are packed in separate cartons. **When ordering, enter as separate line items.**

Length	Shielding	Chassis	Finish	Lamp	Ballast	10THD
4'	BESF2X4	BE2B432UNVHI	Black	4-T8	2 - 2 Lamp Elec.	HI
4'	BESF2X4	BE2W432UNVHI	White	4-T8	2 - 2 Lamp Elec.	HI
4'	BESF2X4	BE2B432UNVH4	Black	4-T8	1 - 4 Lamp Elec.	H4
4'	BESF2X4	BE2W432UNVH4	White	4-T8	1 - 4 Lamp Elec.	H4

Specifications

Finish: Chassis exterior—white baked polyester enamel. Cavity- white baked polyester enamel minimum 86% reflectance. Phosphate undercoating

Frame: Extruded aluminum with soft white polyester powder coat finish.

Lens: One-piece vacuum formed white acrylic containing 25% DR with decorative trim.

Electrical: Thermally protected class "P" ballast C.B.M. approved, no PCB. If KO is within 3" of ballast, use wire suitable for at least 90°.

Labels: I.B.E.W./UL and ULc Listed.

NOTE: Chassis and shielding shown are stock items.

Job Information

Type:

Lightolier a Genlyte company

www.lightolier.com

Technical Information: (978) 657-7600 • Fax (978) 658-0595

631 Airport Road, Fall River, MA 02720 • (508) 679-8131 • Fax (508) 674-4710

We reserve the right to change details of design, materials and finish.

© 2007 a Genlyte company

Section 3A/Folio H10-12

LIGHTOLIER®