

Ordering Information

Family	Shielding	Dimension	Lamps	Lamp Type	Voltage	Control	Option
AB	R	24		T8		ST	
Aletta B	R = Radial Louver	24 = 2' x 4'	2 = 2 Lamps 3 = 3 Lamps	T8 = T8 Standard Output	1 = 120v 2 = 277v 3 = 347v	ST = Standard	Blank = None D = Dimming ¹ E = EM Pack ¹ 2 = 2 Circuit

¹ Must select voltage option 1 or 2 only.

Features

- Housing:** Single piece 20 gauge pre painted steel. Swing down door provides access to lamps and ballasts.
- Lamp:** Two or three T8 32w (by others).
- Outer Shielding:** .020 matte smooth impact acrylic. 62% transmission.
- Radial Louver:** Precision die-formed aluminum straight blade louver.
- Reflector:** Die formed 22 gauge steel 95% reflectance baked white acrylic matte paint.
- Trim:** Extruded aluminum painted white, interfaces with ceiling grid or plaster ceiling by others.

Electrical

Ballasts are electronic and high power factor. Dimming ballasts are available on many lamp types, please consult factory regarding specific applications. 1325 max lumen battery pack is standard. See application table on page 2 for output with specific lamp types. Factory installed ballast disconnect allows the ballast to be disconnected from and reconnected to incoming power under load without turning the entire circuit off.

Mounting

Housing is suspended by hanger wires and laid into standard or slot-T grid ceiling. Mounting accessory available for drywall installations (see page 2).

Labels

UL, cUL and I.B.E.W.

Ordering Instructions

Individual Fixtures:

- Order quantity of Individual Units required.

Job Information

Type:

Job Name:

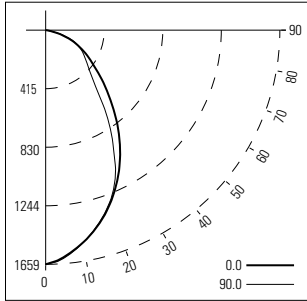
Cat. No.:

Lamp(s):

Notes:

Performance 2-Light T8

Candlepower Curve



Report No.: LLI080901H.ies
 Lamps: Philips 2-F32T8/TL835/ALTO
 Lumens: 5900
 Efficiency: 49.8%
 Cat. No.: ABR242T8UST
 25°C Rating

Zone → Degree ↓	Candlepower				
	0	22	45	67	90
	Candelas				
90	0	0	0	0	0
85	30	29	29	31	35
75	139	137	142	152	161
65	273	268	266	272	270
55	421	415	394	366	348
45	641	643	598	499	457
35	942	917	902	837	805
25	1221	1198	1173	1185	1205
15	1456	1450	1436	1441	1450
5	1622	1624	1627	1631	1633
0	1659	1659	1659	1659	1659

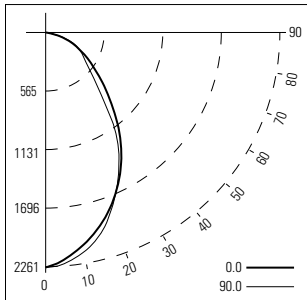
Zone	Distribution		
	Lumens	% Lamp	% Luminaire
0-90	2938.12	49.8	100
90-180	0	0	0
0-180	2938.12	49.8	100

Room Cavity Ratio	Coefficients Of Utilization								
	% Effective Ceiling Cavity Reflectance								
	80			70			50		
	% Wall Reflectance								
	50	30	10	50	30	10	50	30	10
0	59	59	59	58	58	58	55	55	55
1	51	49	47	50	48	46	48	46	45
2	45	41	38	44	41	38	42	39	37
3	39	35	32	39	35	32	37	34	31
4	35	31	27	34	30	27	33	29	27
5	31	27	23	31	26	23	30	26	23
6	28	24	20	28	23	20	27	23	20
7	26	21	18	25	21	18	24	21	18
8	23	19	16	23	19	16	22	19	16
9	21	17	14	21	17	14	20	17	14
10	20	16	13	19	16	13	19	15	13

20% Floor Cavity Reflectance

Performance 3-Light T8

Candlepower Curve



Report No.: LLI080901L.ies
 Lamps: Philips 3-F32T8/TL835/ALTO
 Lumens: 8850
 Efficiency: 46.5%
 Cat. No.: ABR243T8UST
 25°C Rating

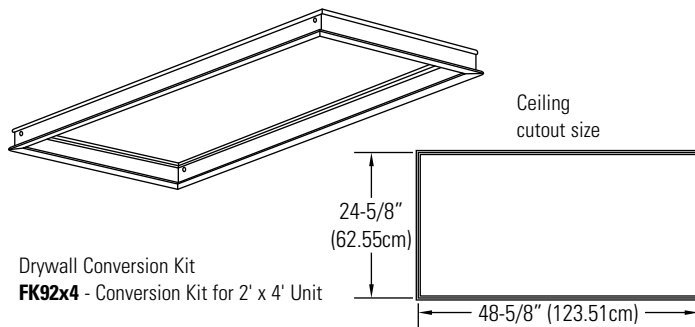
Zone → Degree ↓	Candlepower				
	0	22	45	67	90
	Candelas				
90	0	0	0	0	0
85	40	39	37	40	44
75	191	188	196	210	220
65	376	368	366	375	369
55	580	570	553	497	469
45	885	885	875	762	702
35	1296	1289	1246	1246	1240
25	1670	1681	1649	1641	1667
15	1984	2000	2020	2042	2058
5	2206	2213	2226	2242	2250
0	2261	2261	2261	2261	2261

Zone	Distribution		
	Lumens	% Lamp	% Luminaire
0-90	4119.03	46.5	100
90-180	0	0	0
0-180	4119.03	46.5	100

Room Cavity Ratio	Coefficients Of Utilization								
	% Effective Ceiling Cavity Reflectance								
	80			70			50		
	% Wall Reflectance								
	50	30	10	50	30	10	50	30	10
0	55	55	55	54	54	54	52	52	52
1	48	46	44	47	45	43	45	43	42
2	42	39	36	41	38	36	39	37	35
3	37	33	30	36	33	30	35	32	29
4	33	29	25	32	28	25	31	28	25
5	29	25	22	29	25	22	28	24	22
6	26	22	19	26	22	19	25	22	19
7	24	20	17	23	20	17	23	19	17
8	22	18	15	21	18	15	21	17	15
9	20	16	13	20	16	13	19	16	13
10	18	15	12	18	14	12	18	14	12

20% Floor Cavity Reflectance

Mounting Accessory



EM Pack Output Table

Lamp Length	Lamp Type	Lamp Rated Output	Lamp Wattage	Battery Lumen Output
4'	T5HO	4450*	54	1250*
4'	T5	2600*	44	1325*
4'	T8	2950	35	1100
2'	T5HO	1750*	29	725*
2'	T5	1200*	25	750*
2'	T8	1350	21	650

* 25°C Rating

Job Information **Type:**