

## Ordering Information

Family	Shielding	Dimension	Lamps	Lamp Type	Voltage	Control	Option
<b>AB</b>	<b>L</b>	<b>14</b>				<b>ST</b>	
<b>Aletta B</b>	<b>L</b> = Micro-Prismatic Lens	<b>14</b> = 1' x 4'	<b>2</b> = 2 Lamps <b>3</b> = 3 Lamps	<b>T5</b> = T5 Standard Output <b>HO</b> = T5 High Output	<b>1</b> = 120v <b>2</b> = 277v <b>3</b> = 347v <b>U</b> = 120v-277v	<b>ST</b> = Standard	<b>Blank</b> = None <b>D</b> = Dimming <sup>1</sup> <b>E</b> = EM Pack <sup>1</sup> <b>2</b> = 2 Circuit

<sup>1</sup> Must select voltage option 1 or 2 only.

## Features

- Housing:** Single piece 20 gauge pre painted steel. Swing down door provides access to lamps and ballasts.
- Lamp:** Two or three T5 28w or T5HO 54w (by others).
- Outer Shielding:** .020 matte smooth impact acrylic. 62% transmission.
- Inner Shielding:** Dual linear prismatic acrylic lens.
- Reflector:** Die formed 22 gauge steel 95% reflectance baked white acrylic matte paint.
- Trim:** Extruded aluminum painted white, interfaces with ceiling grid or plaster ceiling by others.

## Electrical

Ballasts are electronic and high power factor. Dimming ballasts are available on many lamp types, please consult factory regarding specific applications. 1325 max lumen battery pack is standard. See application table on page 2 for output with specific lamp types. Factory installed ballast disconnect allows the ballast to be disconnected from and reconnected to incoming power under load without turning the entire circuit off.

## Mounting

Housing is suspended by hanger wires and laid into standard or slot-T grid ceiling. Mounting accessory available for drywall installations (see page 2).

## Labels

UL, cUL and I.B.E.W.

## Ordering Instructions

### Individual Fixtures:

- Order quantity of Individual Units required.

## Job Information

## Type:

**Job Name:**

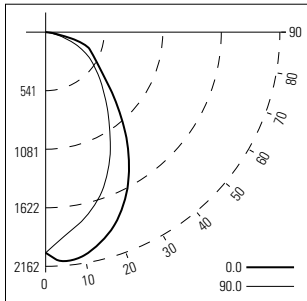
**Cat. No.:**

**Lamp(s):**

**Notes:**

## Performance 2-Light T5HO

Candlepower Curve



Report No.: LLI030908J.ies  
 Lamps: Philips 2-F54T5/835/HO/ALTO  
 Lumens: 10000  
 Efficiency: 41%  
 Cat. No.: ABL142HOUST  
 25°C Rating

Zone → Degree ↓	Candlepower				
	0	22	45	67	90
	Candelas				
90	0	0	0	0	0
85	97	66	50	46	44
75	388	300	189	183	195
65	481	424	349	364	400
55	637	595	553	551	566
45	958	908	820	768	762
35	1371	1318	1178	1083	1045
25	1759	1710	1579	1458	1414
15	2028	1995	1875	1758	1712
5	2162	2134	2028	1930	1894
0	2032	2032	2032	2032	2032

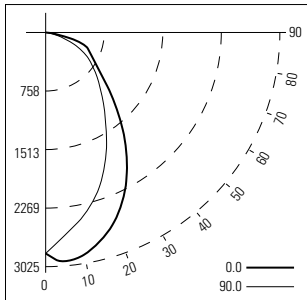
  

Zone	Distribution		
	Lumens	% Lamp	% Luminaire
0-90	4102.36	41	100
90-180	0	0	0
0-180	4102.36	41	100

Room Cavity Ratio	Coefficients Of Utilization								
	% Effective Ceiling Cavity Reflectance								
	80			70			50		
	% Wall Reflectance								
	50	30	10	50	30	10	50	30	10
0	49	49	49	48	48	48	46	46	46
1	42	40	38	41	39	38	39	38	37
2	36	34	31	36	33	31	34	32	30
3	32	28	26	31	28	25	30	27	25
4	28	25	22	28	24	22	27	24	21
5	25	21	19	25	21	18	24	21	18
6	23	19	16	22	19	16	21	18	16
7	20	17	14	20	17	14	19	16	14
8	19	15	13	18	15	13	18	15	12
9	17	14	11	17	13	11	16	13	11
10	16	12	10	15	12	10	15	12	10

## Performance 3-Light T5HO

Candlepower Curve



Report No.: LLI030908K.ies  
 Lamps: Philips 3-F54T5/835/HO/ALTO  
 Lumens: 15000  
 Efficiency: 36.8%  
 Cat. No.: ABL143HOUST  
 25°C Rating

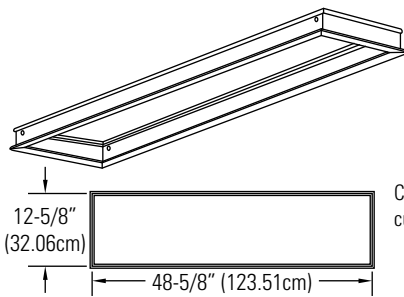
Zone → Degree ↓	Candlepower				
	0	22	45	67	90
	Candelas				
90	0	0	0	0	0
85	134	84	65	60	58
75	528	392	253	246	261
65	646	561	460	484	537
55	842	786	730	730	752
45	1285	1211	1079	1010	1006
35	1866	1781	1562	1420	1367
25	2427	2347	2136	1946	1878
15	2822	2773	2592	2413	2346
5	3025	2987	2839	2701	2650
0	2852	2852	2852	2852	2852

Zone	Distribution		
	Lumens	% Lamp	% Luminaire
0-90	5513.39	36.8	100
90-180	0	0	0
0-180	5513.39	36.8	100

Room Cavity Ratio	Coefficients Of Utilization								
	% Effective Ceiling Cavity Reflectance								
	80			70			50		
	% Wall Reflectance								
	50	30	10	50	30	10	50	30	10
0	44	44	44	43	43	43	41	41	41
1	38	36	34	37	35	34	35	34	33
2	33	30	28	32	30	28	31	29	27
3	29	26	23	28	25	23	27	25	22
4	25	22	20	25	22	19	24	21	19
5	23	19	17	22	19	17	21	19	17
6	20	17	15	20	17	15	19	17	14
7	18	15	13	18	15	13	18	15	13
8	17	14	11	17	13	11	16	13	11
9	15	12	10	15	12	10	15	12	10
10	14	11	9	14	11	9	14	11	9

## Mounting Accessory



Drywall Conversion Kit  
**FK91x4** - Conversion Kit for 1' x 4' Unit

## EM Pack Output Table

Lamp Length	Lamp Type	Lamp Rated Output	Lamp Wattage	Battery Lumen Output
4'	T5HO	4450*	54	1250*
4'	T5	2600*	44	1325*
4'	T8	2950	35	1100
2'	T5HO	1750*	29	725*
2'	T5	1200*	25	750*
2'	T8	1350	21	650

\* 25°C Rating

## Job Information Type:

631 Airport Road, Fall River, MA 02720 • (508) 679-8131 • Fax (508) 674-4710  
 We reserve the right to change details of design, materials and finish.  
 www.lightolier.com © 2009 Philips Group • A0409