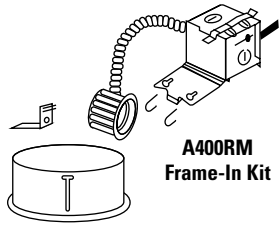
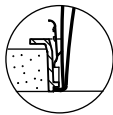


# Calculite® Incandescent Open Downlight **A7701**



**A400RM  
Frame-In Kit**



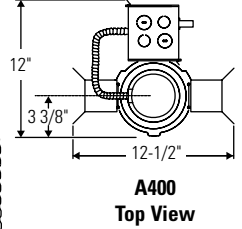
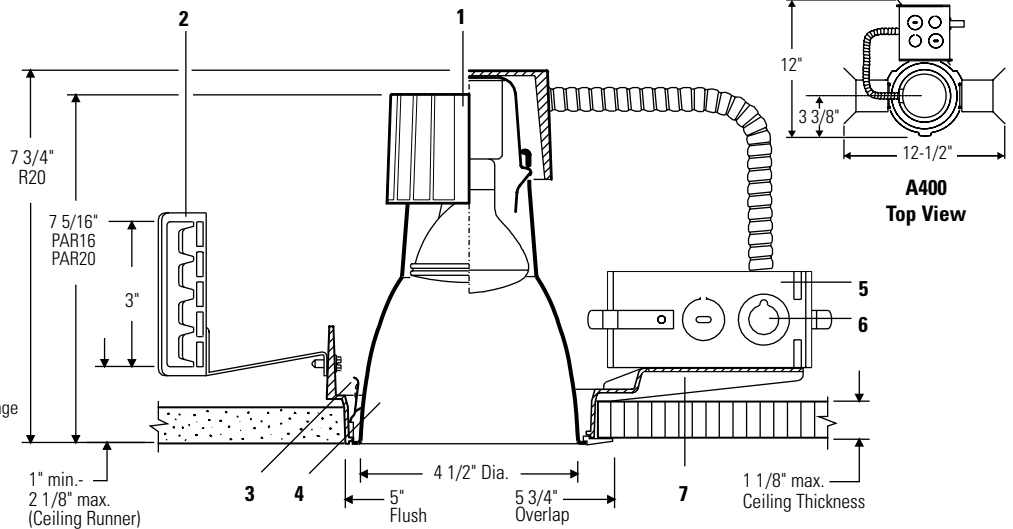
Flush Trim  
(Molded Trim  
Ring Removed)



Molded  
Trim Ring



Overlap Self-Flange  
Matte White  
Or Polished



**A400  
Top View**

**Ceiling Cutout: A400 5 1/16" (128 mm) Dia.**  
**Ceiling Cutout: A400RM 5" (127 mm) Dia.**

Reflector Trim	Frame-In Kit	Lamp
<b>A7701CLW</b> Specular Clear finish with white flange	<b>A400</b>	<b>PAR20</b> 50W
<b>A7701CLP</b> Specular Clear finish with polished flange		<b>PAR16</b> 75W
<b>A7701CL</b> Specular Clear finish with molded trim ring (flangeless)		<b>R20</b> 75W
<b>A7701</b> <input type="checkbox"/> Add suffix for other finishes (see options)	<b>Remodeler Frame-In Kit</b>	<b>Lamp</b>
	<b>A400RM</b> (for use in existing ceilings with 3/8" min. to 2" max. thickness.)	Same as <b>A400</b>

## Features

- Socket Cup:** Die-cast aluminum cup effectively dissipates heat and assures lamps maintain proper optical alignment to reflector. Snaps onto reflector neck for easy tool-less installation. Contains medium base porcelain socket, nickel plated screw shell wired with No 18 SF1 leads to J-Box.
- Mounting Brackets:** Adjusts vertically from inside of fixture. Durable 16 ga. steel construction. Use with standard 3/4" or 1 1/2" lathing channels (by others), or Lightolier accessory mounting bars.
- Retaining Springs:** Precision tooled springs secure reflector to mounting frame for quick tool-less installation.
- Reflector:** 16 ga. Specular Alzak® aluminum, 45° visual cutoff to lamp and lamp image. Available with white or polished flange, or with removable white molded trim ring (field paintable)
- Junction Box:** 14 ga. steel, 4" x 3 1/2" x 2" box allows inspection from below, eliminating need for access from above.
- Thermal Protector:** Meets NEC and UL requirements. Insulation must be kept 3" away from fixture sides and wiring compartments and must not be placed above fixture in a manner which will entrap heat.
- Mounting Frame:** Die-cast aluminum suitable for dry or plaster ceilings. Provides flangeless trim in plaster ceiling.

## Other Reflector Finish Options

Comfort Clear Diffuse **CCD**  
 Specular Gold **GD**  
 Specular Black **BK**

## Flange Options

White **W**  
 Polished Flange **P**  
 Flangeless Leave Blank (molded trim ring)

## Accessories and Options

- 18" Mounting Bars** **1950** (set of 2)  
**27" Mounting Bars** **1951** (set of 2)  
**T-Bar Anchor Clips** **1956** (set of 4, for 1950 & 1951 bars)  
**Wood Joist Mtg. Bars** **7994** (see MBA specification sheet)  
**Sloped Ceiling Adapters** **7920** (see SCA specification sheet)  
**Existing Ceiling Clips** **7998** (set of 2)  
**Step Down Transformer** **7997** (see 7997 specification sheet)  
**Chicago Air Plenum** **LC** (add suffix to Frame-in Kit., requires access from above ceiling)

## Electrical

**A400** UL Listed for through branch circuit wiring with max. of (8) No.12 or 60°C supply conductors for end of run. **A400RM** UL Listed for No. 12 AWG 60° C supply conductors.

## Labels

UL Listed for damp locations, I.B.E.W.

Alzak® is a registered trademark of ALCOA.

Job Information	Type:
<b>Job Name:</b>	
<b>Cat. No.:</b>	
<b>Lamp(s):</b>	
<b>Notes:</b>	

**Lightolier** a Genlyte Thomas Company www.lightolier.com  
 631 Airport Road, Fall River, MA 02720 • (508) 679-8131 • Fax (508) 674-4710  
 We reserve the right to change details of design, materials and finish.  
 © 2002 Genlyte Thomas Group LLC (Lightolier Division) • A0902

**LIGHTOLIER®**

