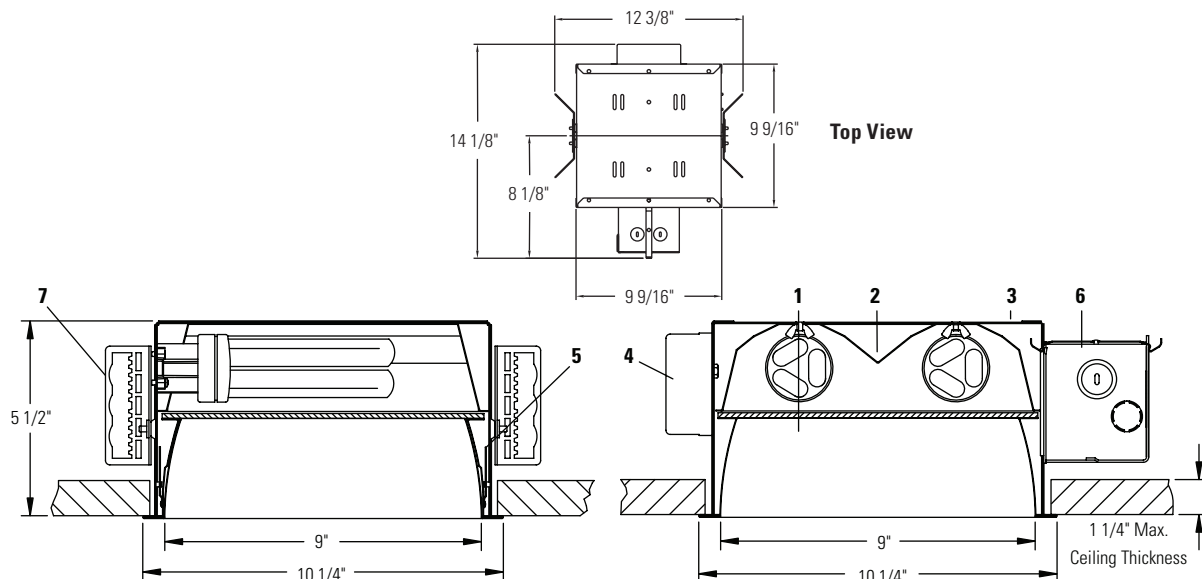


Calculite® Matrix® Lensed Downlight 9X9PL



Ceiling Cutout: 9 5/8" L X 9 5/8" W

Trim Kits		Frame-In Kits								
Reflector Trims	Finish / Flange	Frame-In Kits	Type	Ballast	Input Voltage	Quad Tube Wattage	Triple Tube Wattage	Length	Width	Height
9X9PLCLW	Specular Clear / White	9X9242HU	Non-IC	Electronic	120/277V	(2) 26W	(2) 32/42W	12 1/2"	14"	5 3/4"
9X9PLCLP	Specular Clear / Polished	9X9242HUEM	Non-IC	Electronic - Emergency	120/277V	(2) 26W	(2) 32/42W	12 1/2"	15 3/4"	5 3/4"
9X9PLCCLW	Comfort Clear / White	9X9242HJUM7	Non-IC	Mark 7® Dimming	120/277V		(2) 32/42W	12 1/2"	13 3/4"	5 3/4"
9X9PLCCLP	Comfort Clear / Polished	9X9242HJ1MX	Non-IC	Mark 10® Dimming	120V		(2) 32/42W	12 1/2"	13 1/2"	5 3/4"
9X9PLCCDW	Comfort Clear Diff. / White	9X9242HJ2MX	Non-IC	Mark 10® Dimming	277V		(2) 32/42W	12 1/2"	13 1/2"	5 3/4"
9X9PLCCDP	Comfort Clear Diff. / Polished									
9X9PLCCGP	Clear Corrugated / Self Flange									
9X9PLWHW	White / White									

Features

- Reflector Trim:** Pre-finished aluminum with low iridescence clear finish. Overlap flange accommodates different ceiling types. Precision mitered flange corners. Prismatic spread lens, 5/32" thick tempered glass.
- Upper Reflector:** High efficiency, 97%, Specular Clear.
- Housing:** 20 ga. galvanized formed steel. Centerline notches and holes for consistent alignment of multiple fixtures. Accommodates ceilings up to 1 1/4" thick.
- Ballast Assembly:** Door-mounted for easy service, allows replacement from inside of fixture.
- Torsionite Springs:** Precision-tooled steel springs secure reflector trim to housing for quick tool-less installation. Positive tension holds flange tight against ceiling.
- J-Box:** 14 ga. galvanized steel. Accessible from inside and outside of the fixture. Outside J-box door is hinged for easy access.
- Mounting Brackets:** 16 ga. steel. Adjustable from inside fixture. Utilize 3/4" or 1 1/2" lathing channel, 1/2" EMT, or optional mounting bars.

Options & Accessories

Chicago Plenum with Fuse (slow blow): add LCF suffix to frame-in kit, consult factory for specifications.

Emergency: add EM suffix to frame-in kit, consult factory for specifications.

Mounting Bars / T-Bar Anchor Clips: See specification sheet "MBA".

Electrical

UL Listed for through circuit wiring with max of (8) No. 12 AWG, 90° C supply conductors.

Note: For complete ballast data and lamp / ballast compatibility refer to "Ballast" specification sheet.

General

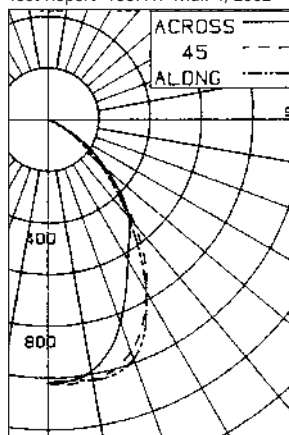
UL listed for wet locations, I.B.E.W. Union Made.

Job Information	Type:
Job Name:	
Cat. No.:	
Lamp(s):	
Notes:	

26W Quad Tube, Specular Clear Reflector Trim

Two Sylvania lamps, 1800 lumens each

Test Report 1657FR Mar. 4, 2002



Angle	CANDLEPOWER SUMMARY					Lumens
	Along	22.5	45	67.5	Across	
0	1021	1021	1021	1021	1021	97
5	1014	1024	1028	1019	1014	
10	1024	1032	1022	998	988	
15	1020	1022	1002	953	927	278
20	985	993	956	879	834	
25	900	913	876	778	728	389
30	768	794	772	680	630	
35	622	657	657	595	559	393
40	487	517	527	521	496	
45	363	381	387	418	401	306
50	254	266	273	313	293	
55	160	169	192	220	210	174
60	88	92	118	132	126	
65	33	37	50	56	52	54
70	12	11	14	15	15	
75	0	0	1	0	0	4
80	0	0	0	0	0	
85	0	0	0	0	0	0
90	0	0	0	0	0	

ZONAL LUMENS AND PERCENTAGES			
Zone	Lumens	% Lamp	% Luminaires
0-30	764	21.23	45.10
0-40	1156	32.14	68.27
0-60	1636	45.47	96.59
0-90	1694	47.07	100.00

EFFICIENCY = 47.1%

Spacing Criterion: Along = 1.1 Across = 1.0

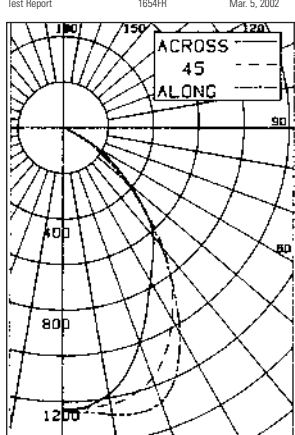
CU	% Effective Ceiling Cavity Reflectance																		
	80			70			50			30			10			0			
	50	30	10	50	30	10	50	30	10	50	30	10	50	30	10	50	30	10	
1	.52	.50	.49	.51	.50	.48	.49	.48	.47	.47	.46	.46	.45	.45	.44	.43			
2	.48	.46	.44	.47	.45	.43	.45	.44	.42	.44	.43	.41	.43	.42	.41	.40			
3	.44	.41	.39	.43	.41	.39	.42	.40	.38	.41	.39	.38	.40	.38	.37	.36			
4	.40	.38	.35	.40	.37	.35	.39	.36	.35	.38	.36	.34	.37	.35	.34	.33			
5	.37	.34	.32	.37	.34	.32	.36	.33	.31	.35	.33	.31	.34	.32	.31	.30			
6	.34	.31	.29	.34	.31	.29	.33	.30	.28	.32	.30	.28	.32	.30	.28	.27			
7	.31	.28	.26	.31	.28	.26	.30	.27	.26	.30	.27	.25	.29	.27	.25	.24			
8	.29	.26	.23	.28	.25	.23	.28	.25	.23	.27	.25	.23	.27	.25	.23	.22			
9	.27	.23	.21	.26	.23	.21	.26	.23	.21	.25	.23	.21	.25	.22	.21	.20			
10	.24	.21	.19	.24	.21	.19	.24	.21	.19	.23	.21	.19	.23	.21	.19	.18			

20% Floor Cavity Reflectance

32W Triple Tube, Specular Clear Reflector Trim

Two Sylvania lamps, 2400 lumens each

Test Report 1654FR Mar. 5, 2002



Angle	CANDLEPOWER SUMMARY					Lumens
	Along	22.5	45	67.5	Across	
0	1235	1235	1235	1235	1235	
5	1251	1246	1231	1235	1225	118
10	1277	1266	1228	1202	1184	
15	1293	1273	1209	1149	1108	340
20	1276	1256	1166	1053	1000	
25	1191	1182	1082	950	882	488
30	1035	1048	969	843	779	
35	851	883	839	754	697	509
40	672	700	691	669	624	
45	503	520	519	546	515	407
50	351	361	366	413	380	
55	220	227	258	292	272	233
60	121	123	155	176	167	
65	45	48	64	76	67	72
70	14	15	17	18	20	
75	0	0	2	0	0	5
80	0	0	0	0	0	
85	0	0	0	0	0	0
90	0	0	0	0	0	

ZONAL LUMENS AND PERCENTAGES			
Zone	Lumens	% Lamp	% Luminaires
0-30	946	19.72	43.58
0-40	1456	30.33	67.04
0-60	2095	43.66	96.49
0-90	2171	45.25	100.00

EFFICIENCY = 45.2%

Spacing Criterion: Along = 1.2 Across = 1.0

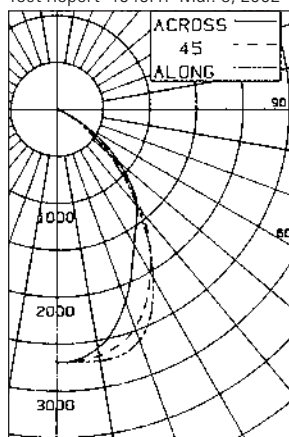
CU	% Effective Ceiling Cavity Reflectance																		
	80			70			50			30			10			0			
	50	30	10	50	30	10	50	30	10	50	30	10	50	30	10	50	30	10	
1	.50	.48	.47	.49	.48	.46	.47	.46	.45	.45	.44	.44	.44	.44	.44	.43	.42	.42	
2	.46	.44	.42	.45	.43	.41	.43	.42	.41	.42	.41	.40	.41	.40	.41	.40	.39	.38	
3	.42	.39	.37	.41	.39	.37	.40	.38	.36	.39	.37	.36	.38	.37	.36	.35	.35	.35	
4	.39	.36	.34	.38	.36	.33	.37	.35	.33	.36	.34	.33	.35	.34	.33	.32	.31		
5	.35	.32	.30	.35	.32	.30	.34	.32	.30	.33	.31	.29	.33	.31	.29	.28	.28		
6	.33	.29	.27	.32	.29	.27	.31	.29	.27	.31	.29	.27	.30	.28	.27	.26	.26		
7	.30	.27	.24	.29	.26	.24	.29	.26	.24	.28	.26	.24	.28	.25	.24	.23			
8	.27	.24	.22	.27	.24	.22	.26	.24	.22	.26	.24	.22	.25	.23	.22	.21			
9	.25	.22	.20	.25	.22	.20	.24	.22	.20	.24	.22	.20	.23	.21	.19	.19			
10	.23	.20	.18	.23	.20	.18	.22	.20	.18	.22	.19	.18	.22	.19	.18	.17			

20% Floor Cavity Reflectance

42W Triple Tube, Specular Clear Reflector Trim

Two Sylvania lamps, 3200 lumens each

Test Report 1649FR Mar. 8, 2002



Angle	CANDLEPOWER SUMMARY					Lumens
	Along	22.5	45	67.5	Across	
0	2630	2630	2630	2630	2630	250
5	2639	2636	2621	2606	2605	
10	2651	2636	2596	2543	2512	
15	2639	2622	2531	2411	2351	708
20	2553	2538	2409	2219	2118	
25	2345	2349	2220	1994	1869	997
30	2024	2054	1970	1758	1631	
35	1663	1719	1690	1560	1456	1025
40	1316	1363	1386	1380	1308	
45	983	1016	1043	1123	1095	820
50	669	706	750	860	837	
55	423	440	523	622	589	475
60	239	237	310	376	337	
65	92	99	129	161	141	147
70	29	28	36	43	38	
75	0	0	4	1	0	10
80	0	0	0	0	0	
85	0	0	0	0	0	0
90	0	0	0	0	0	

ZONAL LUMENS AND PERCENTAGES			
Zone	Lumens	% Lamp	% Luminaires
0-30	1954	30.54	44.11
0-40	2979	46.55	67.24
0-60	4274	66.79	96.47
0-90	4430	69.23	100.00

EFFICIENCY = 69.2%

Spacing Criterion: Along = 1.2 Across = 1.0

CU	% Effective Ceiling Cavity Reflectance																		
	80			70			50			30			10			0			
	50	30	10	50	30	10	50	30	10	50	30	10	50	30	10	50	30	10	
1	.76	.74	.72	.75	.73	.71	.71	.70	.69	.69	.68	.67	.67	.66	.65	.64			
2	.70	.67	.64	.69	.66	.63	.66	.64	.62	.64	.62	.61	.62	.61	.59	.58			
3	.64	.60	.57	.63	.60	.57	.61	.58	.56	.60	.57	.55	.58	.56	.54	.53			
4	.59	.55	.52	.58	.54	.51	.57	.53	.51	.55	.52	.50	.54	.51	.49	.48			
5	.54	.50	.46	.54	.49	.46	.52	.48	.46	.51	.48	.45	.50	.47	.45	.44			
6	.50	.45	.42	.49	.45	.42	.48	.44	.41	.47	.44	.41	.46	.43	.41	.40			
7	.46	.41	.38	.45	.41	.37	.44	.40	.37	.43	.39	.37	.42	.39	.37	.35			
8	.42	.37	.34	.41	.37	.34	.41	.36	.34	.40	.36	.33	.39	.36	.33	.32			
9	.39	.34	.30	.38	.34	.30	.37	.33	.30	.37	.33	.30	.36	.33	.30	.29			
10	.36	.31	.28	.35	.31	.28	.35	.30	.27	.34	.30	.27	.33	.30	.27	.26			

20% Floor Cavity Reflectance

Based on specular clear (CL) finish. To estimate other finishes, multiply candelas and CU values by 0.95 for CCL, by 0.90 for CCD.

Job Information **Type:**