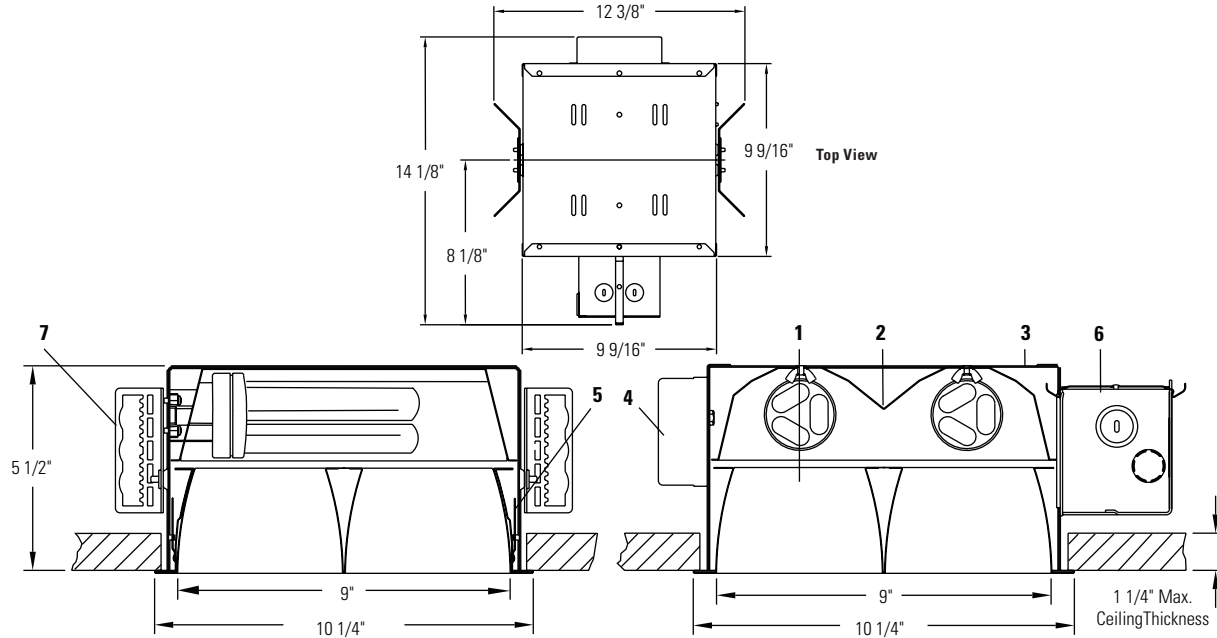


# Calculite® Matrix® Open Downlight 9X9

Page 1 of 2

9" X 9" Square Aperture (2) 26W Quad / 32/42W Triple Tube 4-Cell Parabolic Louver



Ceiling Cutout: 9 5/8" L X 9 5/8" W

Trim Kits		Frame-In Kits								
Reflector Trims	Finish / Flange	Frame-In Kits	Type	Ballast	Input Voltage	Quad Tube Wattage	Triple Tube Wattage	Length	Width	Height
9X9CLW	Specular Clear / White	9X9242HU	Non-IC	Electronic	120/277V	(2) 26W	(2) 32/42W	12 1/2"	14"	5 3/4"
9X9CLP	Specular Clear / Polished	9X9242HUEM	Non-IC	Electronic - Emergency	120/277V	(2) 26W	(2) 32/42W	12 1/2"	15 3/4"	5 3/4"
9X9CLW	Comfort Clear / White	9X9242HJUM7	Non-IC	Mark 7® Dimming	120/277V		(2) 32/42W	12 1/2"	13 3/4"	5 3/4"
9X9CLP	Comfort Clear / Polished	9X9242HJ1MX	Non-IC	Mark 10® Dimming	120V		(2) 32/42W	12 1/2"	13 1/2"	5 3/4"
9X9CCDW	Comfort Clear Diff. / White	9X9242HJ2MX	Non-IC	Mark 10® Dimming	277V		(2) 32/42W	12 1/2"	13 1/2"	5 3/4"
9X9CCDP	Comfort Clear Diff. / Polished									
9X9CCGP	Clear Corrugated / Self Flange									
9X9WHW	White / White									

## Features

- Reflector Trim:** Pre-finished aluminum with low iridescence clear finish. 55° visual and reflected cutoff. Overlap flange accommodates different ceiling types. Precision mitered flange corners.
- Upper Reflector:** High efficiency, 97%, Specular Clear.
- Housing:** 20 ga. galvanized formed steel. Centerline notches and holes for consistent alignment of multiple fixtures. Accommodates ceilings up to 1 1/4" thick.
- Ballast Assembly:** Door-mounted for easy service, allows replacement from inside of fixture.
- Torsionite Springs:** Precision-tooled steel springs secure reflector trim to housing for quick tool-less installation. Positive tension holds flange tight against ceiling.
- J-Box:** 14 ga. galvanized steel. Accessible from inside and outside of the fixture. Outside J-box door is hinged for easy access.
- Mounting Brackets:** 16 ga. steel. Adjustable from inside fixture. Utilize 3/4" or 1 1/2" lathing channel, 1/2" EMT, or optional mounting bars.

## Options and Accessories

**Chicago Plenum with Fuse (slow blow):** Add **LCF** suffix to Frame-In Kit, consult factory for specifications.

**Emergency:** Add **EM** suffix to Frame-In Kit, consult factory for specifications.

**Mounting Bars / T-Bar Anchor Clips:** See specification sheet "MBA".

## Electrical

UL Listed for through circuit wiring with max of (8) No. 12 AWG, 90°C supply conductors.

Note: For complete ballast data and lamp / ballast compatibility refer to "Ballast" specification sheet.

## General

UL Listed for damp locations, I.B.E.W. Union Made.

Specular Clear finish (CL) reflector trims meet IES RP-1 practice.

## Job Information

## Type:

**Job Name:**

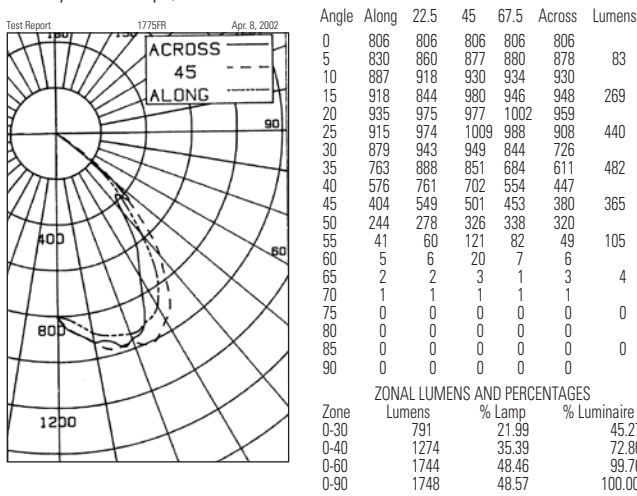
**Cat. No.:**

**Lamp(s):**

**Notes:**

## 26W Quad Tube, Specular Clear Reflector Trim

Two Sylvania lamps, 1800 lumens each



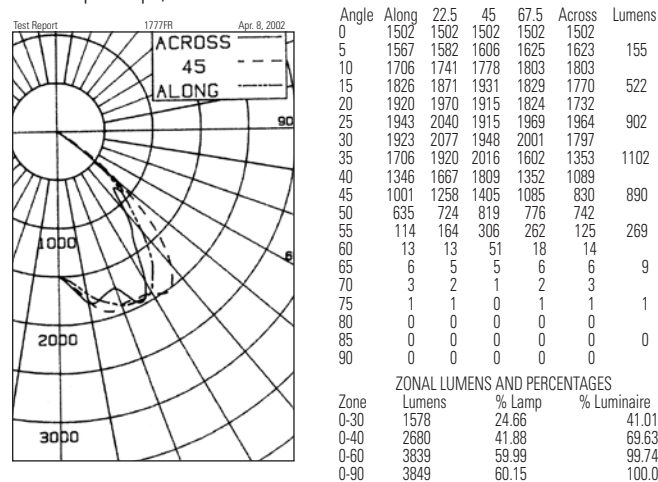
Efficiency = 48.6% Spacing Criterion: Along = 1.4 Across = 1.3

CU	% Effective Ceiling Cavity Reflectance																		
	80			70			50			30			10			0			
	50	30	10	50	30	10	50	30	10	50	30	10	50	30	10	50	30	10	
1	.54	.52	.51	.53	.51	.50	.51	.50	.49	.49	.48	.47	.47	.46	.46	.45			
2	.50	.48	.46	.49	.47	.45	.47	.46	.44	.46	.45	.43	.44	.43	.43	.42			
3	.46	.43	.41	.45	.43	.41	.44	.42	.40	.43	.41	.40	.42	.40	.39	.38			
4	.42	.40	.37	.42	.39	.37	.41	.39	.37	.40	.38	.36	.39	.37	.36	.35			
5	.39	.36	.34	.40	.36	.34	.38	.35	.33	.37	.35	.33	.36	.34	.33	.32			
6	.36	.33	.31	.36	.33	.31	.35	.32	.30	.34	.32	.30	.34	.31	.30	.29			
7	.33	.30	.28	.33	.30	.27	.32	.29	.27	.31	.29	.27	.31	.29	.27	.26			
8	.30	.27	.25	.30	.27	.25	.29	.27	.25	.29	.26	.24	.28	.26	.24	.24			
9	.28	.24	.22	.27	.24	.22	.27	.24	.22	.27	.24	.22	.26	.24	.22	.21			
10	.25	.22	.20	.25	.22	.20	.25	.22	.20	.24	.22	.20	.24	.21	.20	.21			

20% Floor Cavity Reflectance

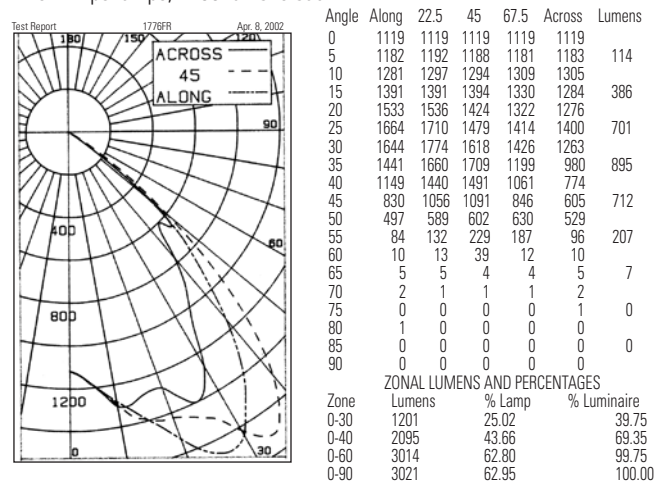
## 42W Quad Tube, Specular Clear Reflector Trim

Two Philips lamps, 3200 lumens each



## 32W Quad Tube, Specular Clear Reflector Trim

Two Philips lamps, 2400 lumens each



Efficiency = 63.0% Spacing Criterion: Along = 1.6 Across = 1.4

CU	% Effective Ceiling Cavity Reflectance																		
	80			70			50			30			10			0			
	50	30	10	50	30	10	50	30	10	50	30	10	50	30	10	50	30	10	
1	.69	.67	.66	.68	.66	.65	.65	.64	.63	.63	.62	.61	.61	.60	.59	.58			
2	.64	.61	.59	.63	.60	.58	.61	.59	.57	.59	.57	.56	.57	.56	.54	.53			
3	.59	.55	.52	.58	.55	.52	.56	.53	.51	.55	.52	.50	.53	.51	.50	.49			
4	.54	.50	.47	.53	.50	.47	.52	.49	.46	.51	.48	.46	.49	.47	.45	.44			
5	.50	.45	.42	.49	.45	.42	.48	.44	.42	.47	.44	.41	.46	.43	.41	.40			
6	.45	.41	.38	.45	.41	.38	.44	.40	.38	.43	.40	.37	.42	.39	.37	.36			
7	.41	.37	.34	.41	.37	.33	.40	.36	.33	.39	.36	.33	.38	.35	.33	.32			
8	.37	.33	.30	.37	.33	.30	.36	.32	.30	.36	.32	.29	.35	.32	.29	.28			
9	.34	.29	.26	.34	.29	.26	.33	.29	.26	.32	.29	.26	.32	.28	.26	.25			
10	.31	.26	.23	.30	.26	.23	.30	.26	.23	.29	.26	.23	.29	.25	.23	.22			

20% Floor Cavity Reflectance

Efficiency = 60.1% Spacing Criterion: Along = 1.5 Across = 1.4

CU	% Effective Ceiling Cavity Reflectance																		
	80			70			50			30			10			0			
	50	30	10	50	30	10	50	30	10	50	30	10	50	30	10	50	30	10	
1	.66	.64	.63	.65	.63	.62	.62	.61	.60	.60	.59	.58	.58	.57	.57	.56			
2	.61	.59	.56	.60	.58	.56	.58	.56	.54	.56	.55	.53	.55	.53	.52	.51			
3	.56	.53	.50	.55	.52	.50	.54	.51	.49	.52	.50	.48	.51	.49	.48	.47			
4	.52	.48	.45	.51	.48	.45	.50	.47	.45	.49	.46	.44	.47	.45	.43	.42			
5	.48	.44	.41	.47	.43	.41	.46	.43	.40	.45	.42	.40	.44	.41	.39	.38			
6	.44	.40	.37	.43	.39	.36	.42	.39	.36	.41	.38	.36	.40	.38	.36	.35			
7	.40	.35	.33	.39	.35	.32	.38	.35	.32	.38	.34	.32	.37	.34	.32	.31			
8	.36	.32	.29	.36	.32	.29	.35	.31	.29	.34	.31	.29	.34	.31	.28	.27			
9	.33	.29	.26	.32	.28	.26	.32	.28	.26	.31	.28	.25	.31	.28	.25	.24			
10	.30	.26	.23	.29	.26	.23	.29	.25	.23	.28	.25	.23	.28	.25	.22	.22			

20% Floor Cavity Reflectance

Based on specular clear (CL) finish. To estimate other finishes, multiply candelas and CU values by 0.95 for CCL, by 0.90 for CCD.

**Job Information** **Type:**