

Ordering Information

Catalog No.	Finishes	Track Mountings	Lamps
9173T WH	Matte White	All Lytespan	MR16 TAL
9173T BK	Matte Black	Track Systems	35W Max.

Features

- Housing:** aluminum.
- Socket:** TAL (twist and lock) base socket wired with No. 18 stranded Teflon leads with fiberglass outer sleeve.
- Transformer:** electronic low voltage transformer with integral radio frequency interference filter and anti-crossover circuit for increased reliability; housed in extruded aluminum.
- Track Attachment Fitting:** molded polycarbonate, rotates into track and locks on with push tab; integral polarity key guard.
- Push Tab:** locks and detaches unit from track.
- Brass Contact:** extends up for connection to second circuit when used in Advent® Lytespan track.
- Tension Pivot Mounts:** steel. Allows for 180° horizontal rotation and 180° vertical rotation.

Electrical/Dimming

Dimming controls: Use only dimmers specifically designed for use with electronic transformers, like Lightolier Sunrise™ and Neptune Momentum QE™ series. Low voltage fixtures may produce audible sound when used with dimmers, which may be objectionable in acoustically critical areas.

Labels

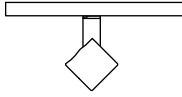
UL

Advent® is a registered trademark of Lightolier.

Job Information	Type:
Job Name:	
Cat. No.:	
Lamp(s):	
Notes:	

Lightolier a Genlyte Thomas Company www.lightolier.com
 631 Airport Road, Fall River, MA 02720 • (508) 679-8131 • Fax (508) 674-4710
 We reserve the right to change details of design, materials and finish.
 © 2002 Genlyte Thomas Group LLC (Lightolier Division) • A0902

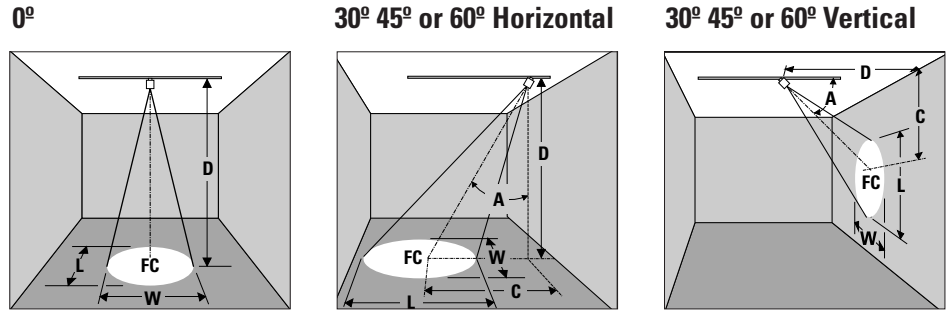
LIGHTOLIER®



Lighting Data

Aiming Angle:

L Beam length
W Beam width
C Distance to center of beam
D Distance
A Aiming angle
FC Footcandles
L and **W** are the outer points where the candlepower drops to 50% of the maximum. **FC** are the initial footcandles at the center of the beam.



Lamp

0° Aiming Angle A = 30° Aiming Angle A = 45° Aiming Angle A = 60° Aiming Angle

Lamp	Beam Spread 50% Max CP	Beam Center C.P. Candelas	Rated Life-Hrs	0° Aiming Angle					A = 30° Aiming Angle					A = 45° Aiming Angle					A = 60° Aiming Angle				
				D	FC	L	W	D	C	FC	L	W	D	C	FC	L	W	D	C	FC	L	W	
20W MR16 TL NSP	11°	4500	3500	6'	125	1.2'	1.2'	5'	2.9'	117	1.3'	1.1'	3'	3.0'	177	1.2'	0.8'	2'	3.5'	141	1.6'	0.8'	
20W MR16 TL NFL	24°	900	3500	3'	100	1.3'	1.3'	3'	1.7'	65	1.7'	1.5'	2'	2.0'	80	1.8'	1.2'	1'	1.7'	113	2.0'	0.9'	
20W MR16 TL FL	36°	450	3500	3'	36	2.1'	2.1'	5'	2.9'	23	2.9'	2.5'	3'	3.0'	35	2.7'	1.8'	2'	3.5'	28	3.0'	1.7'	
20W MR16 TL FL	36°	450	3500	7'	18	3.0'	3.0'	7'	4.0'	12	4.0'	3.4'	4'	4.0'	20	3.6'	2.4'	3'	5.2'	13	5.9'	2.6'	
20W MR16 TL FL	36°	450	3500	9'	11	3.8'	3.8'	9'	5.2'	7	5.2'	4.4'	5'	5.0'	13	4.5'	3.0'	4'	6.9'	7	7.9'	3.4'	
20W MR16 TL FL	36°	450	3500	2'	113	1.3'	1.3'	2'	1.2'	73	1.8'	1.5'	2'	2.0'	40	2.9'	1.8'	1'	1.7'	56	3.8'	1.3'	
20W MR16 TL FL	36°	450	3500	3'	50	1.9'	1.9'	3'	1.7'	32	2.7'	2.3'	3'	3.0'	18	4.4'	2.8'	2'	3.5'	14	7.4'	2.6'	
20W MR16 TL FL	36°	450	3500	4'	28	2.6'	2.6'	4'	2.3'	18	3.6'	3.0'	4'	4.0'	10	5.8'	3.7'	3'	5.2'	6	11.4'	3.9'	
20W MR16 TL FL	36°	450	3500	5'	18	3.2'	3.2'	5'	2.9'	12	4.5'	3.8'	5'	5.0'	6	7.3'	4.6'	4'	6.9'	4	15.2'	5.2'	
35W MR16 TL VNSP	8°	8100	3500	7'	165	1.0'	1.0'	6'	3.5'	146	1.1'	1.0'	4'	4.0'	179	1.1'	0.8'	2'	3.5'	253	1.1'	0.6'	
35W MR16 TL VNSP	8°	8100	3500	10'	81	1.4'	1.4'	9'	5.2'	65	1.7'	1.5'	6'	6.0'	80	1.7'	1.2'	3'	5.2'	113	1.7'	0.8'	
35W MR16 TL VNSP	8°	8100	3500	13'	48	1.8'	1.8'	12'	6.9'	37	2.2'	1.9'	8'	8.0'	45	2.2'	1.6'	4'	6.9'	63	2.3'	1.1'	
35W MR16 TL VNSP	8°	8100	3500	16'	32	2.2'	2.2'	15'	8.7'	23	2.8'	2.4'	10'	12.0'	29	2.8'	2.0'	5'	8.7'	41	2.8	1.4'	
35W MR16 TL SP	18°	3240	3500	6'	90	1.9'	1.9'	5'	2.9'	84	2.1'	1.8'	3'	3.0'	127	1.9'	1.3'	2'	3.5'	101	2.7'	1.3'	
35W MR16 TL SP	18°	3240	3500	8'	51	2.5'	2.5'	5'	5.0'	43	3.0'	2.6'	5'	5.0'	46	3.2'	2.2'	3'	5.2'	45	4.1'	1.9'	
35W MR16 TL SP	18°	3240	3500	10'	32	3.2'	3.2'	9'	5.2'	26	3.8'	3.3'	7'	7.0'	23	4.5'	3.1'	4'	6.9'	25	5.5'	2.5'	
35W MR16 TL SP	18°	3240	3500	12'	23	3.8'	3.8'	11'	6.4'	17	4.7'	4.0'	9'	9.0'	14	5.8'	4.0'	5'	8.7'	15	6.9'	3.2'	
35W MR16 TL FL	38°	870	3500	3'	97	2.1'	2.1'	3'	1.7'	63	2.9'	2.4'	2'	2.0'	77	3.1'	1.9'	1'	1.7'	109	4.3'	1.4'	
35W MR16 TL FL	38°	870	3500	5'	35	3.4'	3.4'	5'	2.9'	23	4.8'	4.0'	3'	3.0'	34	4.7'	2.9'	2'	3.5'	27	8.6'	2.8'	
35W MR16 TL FL	38°	870	3500	7'	18	4.8'	4.8'	7'	4.0'	12	6.7'	5.6'	4'	4.0'	19	6.3'	3.9'	3'	5.2'	12	12.8'	4.1'	
35W MR16 TL FL	38°	870	3500	9'	11	6.2'	6.2'	9'	5.2'	7	8.6'	7.2'	5'	5.0'	12	7.8'	4.9'	4'	6.9'	7	17.1'	5.5'	
50W MR16 TL NSP	10°	10800	3500	8'	189	1.4'	1.4'	7'	4.0'	143	1.6'	1.4'	5'	5.0'	153	1.8'	1.2'	3'	5.2'	150	2.1'	1.0'	
50W MR16 TL NSP	10°	10800	3500	12'	75	2.1'	2.1'	10'	5.8'	70	2.3'	2.0'	7'	7.0'	78	2.5'	1.7'	4'	6.9'	84	2.9'	1.4'	
50W MR16 TL NSP	10°	10800	3500	16'	42	2.8'	2.8'	13'	7.5'	42	3.0'	2.5'	9'	9.0'	47	3.2'	2.2'	5'	8.7'	54	3.6'	1.7'	
50W MR16 TL NSP	10°	10800	3500	20'	27	3.5'	3.5'	16'	9.2'	27	3.7'	3.2'	11'	11.0'	32	3.9'	2.7'	6'	10.4'	38	4.3'	2.1'	
50W MR16 TL NFL	21°	3330	3500	6'	93	2.2'	2.2'	5'	2.9'	87	2.5'	2.1'	3'	3.0'	131	2.3'	1.6'	2'	3.5'	104	3.3'	1.5'	
50W MR16 TL NFL	21°	3330	3500	8'	52	3.0'	3.0'	7'	4.0'	44	3.5'	3.0'	5'	5.0'	47	3.8'	2.6'	3'	5.2'	46	5.0'	2.2'	
50W MR16 TL NFL	21°	3330	3500	10'	33	3.7'	3.7'	9'	5.2'	27	4.5'	3.9'	7'	7.0'	24	5.4'	3.7'	4'	6.9'	26	6.6'	3.0'	
50W MR16 TL NFL	21°	3330	3500	12'	23	4.4'	4.4'	11'	6.4'	18	5.5'	4.7'	9'	9.0'	15	6.9'	4.7'	5'	8.7'	17	8.3'	3.7'	
50W MR16 TL FL	38°	1395	3500	3'	155	2.1'	2.1'	3'	1.7'	101	2.9'	2.4'	2'	2.0'	123	3.1'	1.9'	1'	1.7'	174	4.3'	1.4'	
50W MR16 TL FL	38°	1395	3500	5'	56	3.4'	3.4'	5'	2.9'	36	4.8'	4.0'	3'	3.0'	56	4.7'	2.9'	2'	3.5'	44	8.6'	2.8'	
50W MR16 TL FL	38°	1395	3500	7'	28	4.8'	4.8'	7'	4.0'	18	6.7'	5.6'	4'	4.0'	31	6.3'	3.9'	3'	5.2'	19	12.8'	4.1'	
50W MR16 TL FL	38°	1395	3500	9'	17	6.2'	6.2'	9'	5.2'	11	8.6'	7.2'	5'	5.0'	20	7.8'	4.9'	4'	6.9'	11	17.1'	5.5'	
50W MR16 TL WFL	60°	630	3500	3'	70	3.5'	3.5'	3'	1.7'	45	5.2'	4.0'	2'	2.0'	56	6.9'	3.3'	1'	1.7'	79	†	2.3'	
50W MR16 TL WFL	60°	630	3500	5'	25	5.8'	5.8'	5'	2.9'	15	8.7'	6.7'	3'	3.0'	25	10.4'	4.9'	2'	3.5'	20	†	4.9'	
50W MR16 TL WFL	60°	630	3500	7'	13	8.1'	8.1'	7'	4.0'	8	12.1'	9.3'	4'	4.0'	14	13.9'	6.5'	3'	5.2'	9	†	6.9'	
50W MR16 TL WFL	60°	630	3500	9'	8	10.4'	10.4'	9'	5.2'	5	15.6'	12.0'	5'	5.0'	9	17.3'	8.2'	4'	6.9'	5	†	9.2'	

† Exceeds usable limits

LIGHTOLIER®

Job Information Type:

Lightolier a Genlyte Thomas Company www.lightolier.com
 631 Airport Road, Fall River, MA 02720 • (508) 679-8131 • Fax (508) 674-4710
 We reserve the right to change details of design, materials and finish.
 © 2002 Genlyte Thomas Group LLC (Lightolier Division) • A0902