

Ordering Information

Catalog No.	Finishes	Track Mountings	Ballast Module	Lamp
83W7WH 83W7BK 83W7AL	Matte White Matte Black Metallic Aluminum	All Lytespan® Track systems and Multi-point. All PowerArc™ Modular canopies, extension* wands, mounting brackets or pipe clamps. Not compatible with ProSpec® or ATOM®. *Use only w/83CY70E	Use one of: 83B70SE 83CY70E 83B10E 83B70E	ED-17 or E-17 Clear, Protected Ceramic Metal Halide, 100W Max. (For Open Luminaires)

Features

- Housing:** .10" thick extruded aluminum body with die cast end caps.
- Vertical Pivot:** 0 - 180° vertical adjustment.
- Horizontal Pivot:** Die cast track adapter with positive infinite rotation.
- Track Attachment Fitting:** Molded polycarbonate; rotates into track.
- Power Connector:** 5kv rated with insulated pins, connects to ballast module. Keyed for polarity.
- End Caps:** Die-cast aluminum.
- Socket:** 5kv rated ceramic body socket with nickel plated lamp contacts.

Accessories

83EW18WH, BK, AL	18" Extension Wand	} Compatible with 83B70E ballast only
83EW48WH, BK, AL	48" Extension Wand	
83EC72WH, BK	6' Extension Cord	
83PCWH, BK	Pipe Clamp	
83MPTWH, BK	Mounting Bracket	

Electrical

See ballast module spec sheet.

Finish

All painted finishes are baked enamel.

Labels

UL, cUL

Job Information

Type:

Job Name:

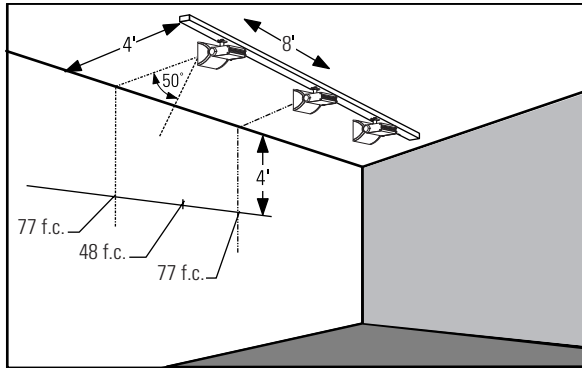
Cat. No.:

Lamp(s):

Notes:

Lighting Data

Footcandles on wall:



Lamp Information:

70W ED-17 Clear Ceramic Metal Halide
 Initial Lumens: 5900
 CRI: 82
 Rated Avg. life: 10,000 hrs.
 100W Multiply by 1.5

Example: With track located 4' from wall and multiple units spaced 8' on center and aimed 50° from horizontal, the illumination on wall 4' from ceiling will be 77 f.c. beneath units and 48 f.c. between units.

Footcandles on Wall

Track 3 Feet From Wall

Single Unit

Distance From Ceiling	Beam Center						
	0'	1'	2'	3'	4'	5'	
1'	180	153	81	31	13	7	
2'	177	153	97	52	22	8	
3'	128	111	76	44	22	10	
4'	77	66	51	34	21	11	
5'	42	38	31	23	16	10	
6'	26	25	21	17	12	9	
7'	17	16	15	12	9	7	
8'	12	11	10	9	7	5	
9'	8	8	7	7	6	4	

Multiple Units

Spacing	1st	2nd	3rd
4'	213	174	213
5'	197	109	197
6'	192	68	192
4'	222	201	222
5'	193	147	193
6'	184	104	184
4'	174	160	174
5'	148	119	148
6'	136	89	136
4'	122	115	122
5'	101	92	101
6'	90	73	90
4'	76	73	77
5'	62	58	62
6'	53	48	53
4'	56	57	56
5'	46	46	46
6'	40	38	40
4'	40	41	41
5'	33	34	33
6'	28	28	28
4'	31	30	31
5'	24	25	24
6'	21	21	21
4'	25	24	25
5'	20	20	20
6'	17	18	17

Track 4 Feet From Wall

Single Unit

Distance From Ceiling	Beam Center						
	0'	1'	2'	3'	4'	5'	
1'	80	76	52	25	9	3	
2'	109	99	73	47	25	11	
3'	94	87	67	45	28	16	
4'	73	66	53	38	25	15	
5'	50	46	38	29	21	14	
6'	32	29	25	21	16	12	
7'	21	20	18	15	12	9	
8'	15	14	13	12	10	8	
9'	11	11	10	9	8	6	

Multiple Units

Spacing	1st	2nd	3rd
6'	89	58	89
8'	84	24	84
10'	84	14	84
6'	118	98	118
8'	113	48	113
10'	112	27	112
6'	105	94	105
8'	98	56	98
10'	96	33	96
6'	87	76	87
8'	77	48	77
10'	75	31	75
6'	64	57	64
8'	53	39	53
10'	51	27	51
6'	46	41	46
8'	36	31	36
10'	33	22	33
6'	33	31	33
8'	26	24	26
10'	23	18	23
6'	25	24	25
8'	20	18	20
10'	17	14	17
6'	19	19	19
8'	16	15	16
10'	13	12	13
6'	15	15	15
8'	12	12	12
10'	11	10	11
6'	12	12	12
8'	10	10	10
10'	9	8	9
6'	10	9	10
8'	8	8	8
10'	7	6	7

Footcandles are average and rounded off and data for multiple units are based on a minimum of five units.

For 100W: Multiply values by 1.5 Rated Lamp Life 12,500 Hrs.

Job Information	Type:
------------------------	--------------