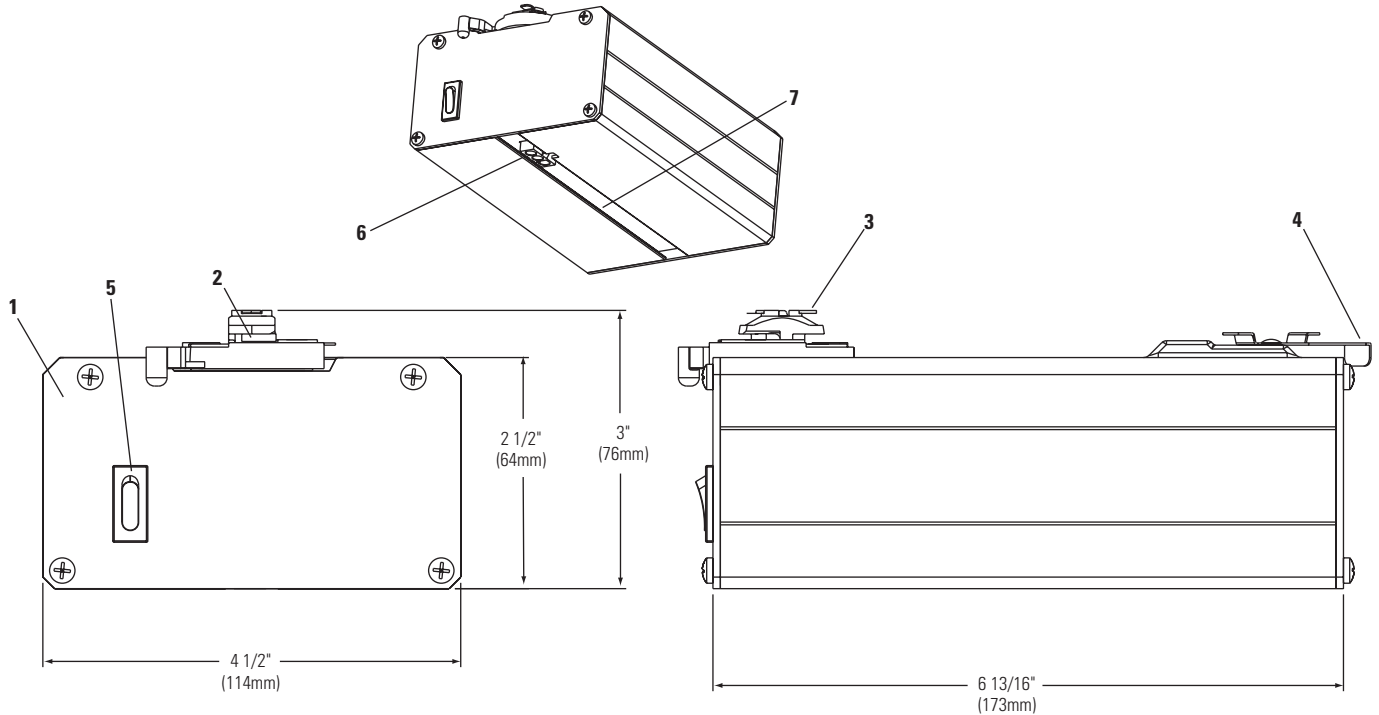


Lytespan® Accent Lighting System **83B70M**



Ordering Information

Catalog No.	Finishes	Mounting	Luminaires	Lamp
83B70MWH 83B70MBK 83B70MAL	Matte White Matte Black Metallic Aluminum	All Lytespan® track systems and Multipoint. DO NOT USE with any other mounting accessories, stem mounted Radius® track, ProSpec® track systems or ATOM®. DO NOT WALL MOUNT. Remote mounting up to 10' with Lightolier accessories.	Use one of: 8300 8303 8313 8304 8314 8306 8316 8307 8317 8308 8318 83W4 83W6 83W7	70W Ceramic Metal Halide

Features

- Housing:** .10" thick extruded aluminum body with heavy gauge aluminum end caps.
- Track Attachment Fitting:** Molded polycarbonate; rotates into track; integral polarity keyguard.
- Brass Contact:** Extends for connection to second circuit in Advent® Lytespan track.
- Safety Locking Lever:** Locks and supports module in track.
- On/Off Switch:** Rocker switch to disconnect power to the ballast.
- Power Receptacle:** 5kv rated, insulated; accepts power connector from fixture.
- Integral Track Groove:** To mount PowerArc® Modular spots and wall wash fixtures.

Electrical

Magnetic Ballast
Input Voltage: 120V, 60Hz
Power Factor: High
Input Power: 94W
Max Input Current: 1.40A
ANSI Code: M98

Do not use on a dimming circuit.

Finish

All painted finishes baked enamel.

Labels

UL, cUL

Job Information	Type:
Job Name:	
Cat. No.:	
Lamp(s):	
Notes:	

Lightolier a Genlyte company www.lightolier.com
 631 Airport Road, Fall River, MA 02720 • (508) 679-8131 • Fax (508) 674-4710
 We reserve the right to change details of design, materials and finish.
 © 2006 Genlyte Group LLC • B0406

LIGHTOLIER®