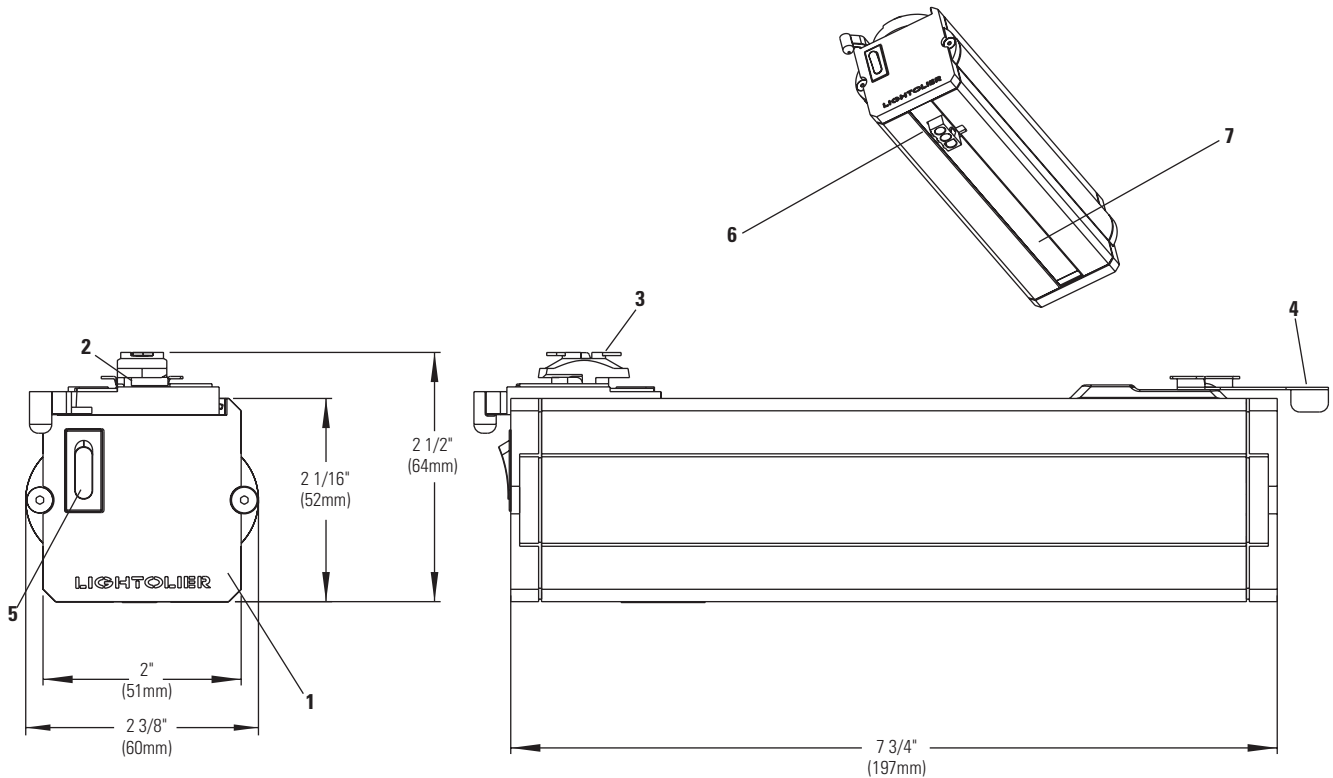




Lytespan[®] Accent Lighting System **83B39EADV**



Ordering Information

Catalog No.	Finishes	Track Mountings	Luminaires	Lamp
83B39EWHADV	Matte White	All Lytespan [®] Track Systems and Multi-point. DO NOT USE with any other mounting accessories, stem mounted Radius [®] Track, ProSpec [®] Track systems, or ATOM. Can be wall mounted. Maximum distance to lamp is 6 ft.	Use one of:	39W Ceramic Metal Halide
83B39EBKADV	Matte Black		8300 8303 8313	
83B39EALADV	Metallic Aluminum		8304 8314 8306 8316 83W4 83W6	

Features

- Housing:** .10" thick extruded aluminum body with die cast end caps.
- Track Attachment Fitting:** Molded polycarbonate; rotates into track, integral polarity key guard.
- Brass Contact:** Extends for connection to second circuit in Advent Lytespan track.
- Safety Locking Lever:** Locks and supports module in track.
- On/Off Switch:** Rocker switch to disconnect power to the ballast.
- Power Connector:** 5kv rated, insulated. Accepts power connector from fixture.
- Integral Track Groove:** To mount PowerArc[®] Modular spots and wall wash fixtures.

Electrical

Electronic Ballast

Input Voltage:	120V, 60Hz
Min. Power Factor:	.9
Input Power:	45W
Max. Input Current:	.40 AMPS
Max. Total Harmonic Distortion:	15%
ANSI Code:	M130

Do not use on dimming circuit.

Finish

All painted finishes are baked enamel.

Labels

UL, cUL

Job Information

Type:

Job Name:

Cat. No.:

Lamp(s):

Notes:

Lightolier a Genlyte company

www.lightolier.com

631 Airport Road, Fall River, MA 02720 • (508) 679-8131 • Fax (508) 674-4710

We reserve the right to change details of design, materials and finish.

© 2006 Genlyte Group LLC • C0606

LIGHTOLIER[®]