

Ordering Information

Catalog No.	Finishes	Track Mountings	Lamps
8297WH 8297BK	Matte White Matte Black	All Lytespan Track Systems and Multipoint. DO NOT USE with any other mounting accessories, wall mounted track, or stem mounted track unless used with suspension beam.	PAR38, 70W Max. Metal Halide

Features

- 1. Ring:** Die-cast aluminum with cool grip insulation band; a high temperature silicone rubber which allows aiming adjustments while fixture is on.
- 2. Socket:** 5KV pulse rated ceramic body socket with nickel plated lamp contacts; leads encased in silicone coated fiberglass sleeving.
- 3. Socket Boot:** High temperature insulating silicone rubber.
- 4. Ballast:** High Power Factor magnetic HID ballast with dry film capacitor and lamp ignitor. Housed in aluminum extrusion.
- 5. Track Attachment Fitting:** Molded polycarbonate, rotates into track; integral polarity keyguard.
- 6. Locking Lever:** Safety locking lever locks and supports fixture in track.
- 7. Brass Contact:** Extends for connection to second circuit in Advent® Lytespan track.
- 8. Pivots:** 180° horizontal and vertical rotation with tensioned mounts for controlled aim.
- 9. Spring:** spring steel, holds lamp, lens and louver accessories in place.

Options & Accessories

- Beam Elongator **AF4AS**
- Beam Smoother **AF4LF**
- Louver (Hex Cell) **AL4HC**

Finishes

All painted finishes powder coated baked enamel.

Electrical

Input Watts: 94
Line Current: 0.9 Amps

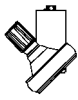
Labels

UL, I.B.E.W.

Job Information	Type:
Job Name:	
Cat. No.:	
Lamp(s):	
Notes:	

Lightolier a Genlyte Thomas Company www.lightolier.com
 631 Airport Road, Fall River, MA 02720 • (508) 679-8131 • Fax (508) 674-4710
 We reserve the right to change details of design, materials and finish.
 © 2002 Genlyte Thomas Group LLC (Lightolier Division) • A0902

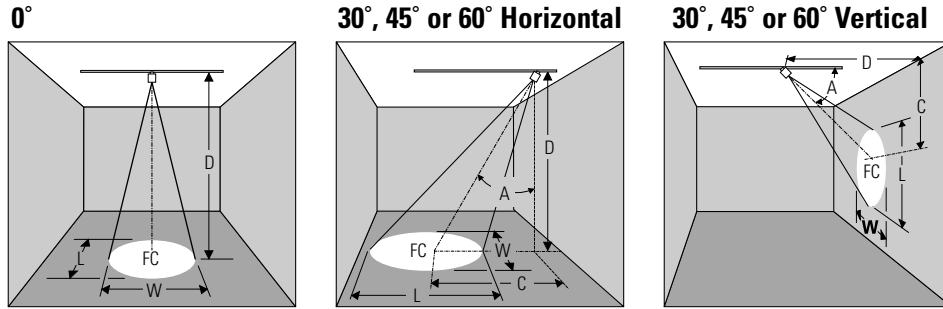
LIGHTOLIER



Lighting Data
Aiming Angle

- L** Beam Length
- W** Beam Width
- C** Distance to center beam
- D** Distance
- A** Aiming Angle
- FC** Footcandles

L and W are the outer points where the candle power drops to 50% of the maximum. FC are the initial footcandles at the center of the beam.



LAMP

	Beam Spread 50% Max CP	Beam Center C.P. Candelas	Rated Life-Hrs
	15°	28000	7500
	30°	16000	7500
	65°	4000	7500

0° AIMING ANGLE

D	FC	L	W
10'	280	2.6'	2.6'
15'	124	3.9'	3.9'
20'	70	5.3'	5.3'
25'	45	6.6'	6.6'
8'	250	4.3'	4.3'
12'	111	6.4'	6.4'
18'	63	8.8'	8.8'
20'	40	10.7'	10.7'
6'	111	7.6'	7.6'
8'	63	10.2'	10.2'
10'	40	12.7'	12.7'
12'	28	15.3'	15.3'

A=30° AIMING ANGLE

D	C	FC	L	W
8'	4.6'	284	2.8'	2.4'
12'	6.9'	126	4.2'	3.6'
16'	9.2'	671	5.8'	4.9'
20'	11.5'	45	7.1'	6.1'
7'	3.5'	212	5.1'	4.3'
10'	4.0'	104	7.3'	6.2'
13'	5.8'	61	9.5'	8.0'
16'	7.5'	41	11.7'	9.9'
5'	2.9'	104	9.8'	7.4'
7'	4.0'	53	13.8'	10.3'
9'	5.2'	32	17.7'	13.2'
11'	8.4'	21	21.6'	16.2'

A=45° AIMING ANGLE

D	C	FC	L	W
6'	6.0'	275	3.2'	2.2'
9'	9.0'	122	4.8'	3.4'
12'	12.0'	69	6.4'	4.5'
15'	15.0'	44	8.0'	5.6'
5'	5.0'	226	5.8'	3.8'
7'	7.0'	115	8.1'	5.3'
9'	9.0'	70	10.4'	6.8'
11'	11.0'	47	12.7'	8.3'
3'	3.0'	157	12.9'	3.8'
5'	5.0'	57	21.4'	5.4'
7'	7.0'	29	30.0'	9.0'
9'	9.0'	17	38.6'	16.2'

A=60° AIMING ANGLE

D	C	FC	L	W
4'	6.9'	219	4.4'	2.1'
6'	10.4'	97	6.7'	3.2'
8'	13.9'	55	8.9'	4.2'
10'	17.3'	35	11.1'	5.3'
3'	5.2'	222	8.2'	3.2'
4'	6.9'	125	10.9'	4.3'
5'	8.7'	80	13.7'	5.4'
6'	10.4'	56	16.4'	6.4'
2'	3.5'	125	NA	5.1'
3'	5.2'	58	NA	7.6'
4'	6.9'	31	NA	10.2'
5'	8.7'	20	NA	12.7'

*Lamps are MasterColor Metal Halide by Philips Lighting.
Correlated Color Temperature = 3000K
Color Rendering Index = 83

Job Information	Type:
------------------------	--------------

Lightolier a Genlyte Thomas Company www.lightolier.com
631 Airport Road, Fall River, MA 02720 • (508) 679-8131 • Fax (508) 674-4710
We reserve the right to change details of design, materials and finish.
© 2002 Genlyte Thomas Group LLC (Lightolier Division) • A0902

LIGHTOLIER®