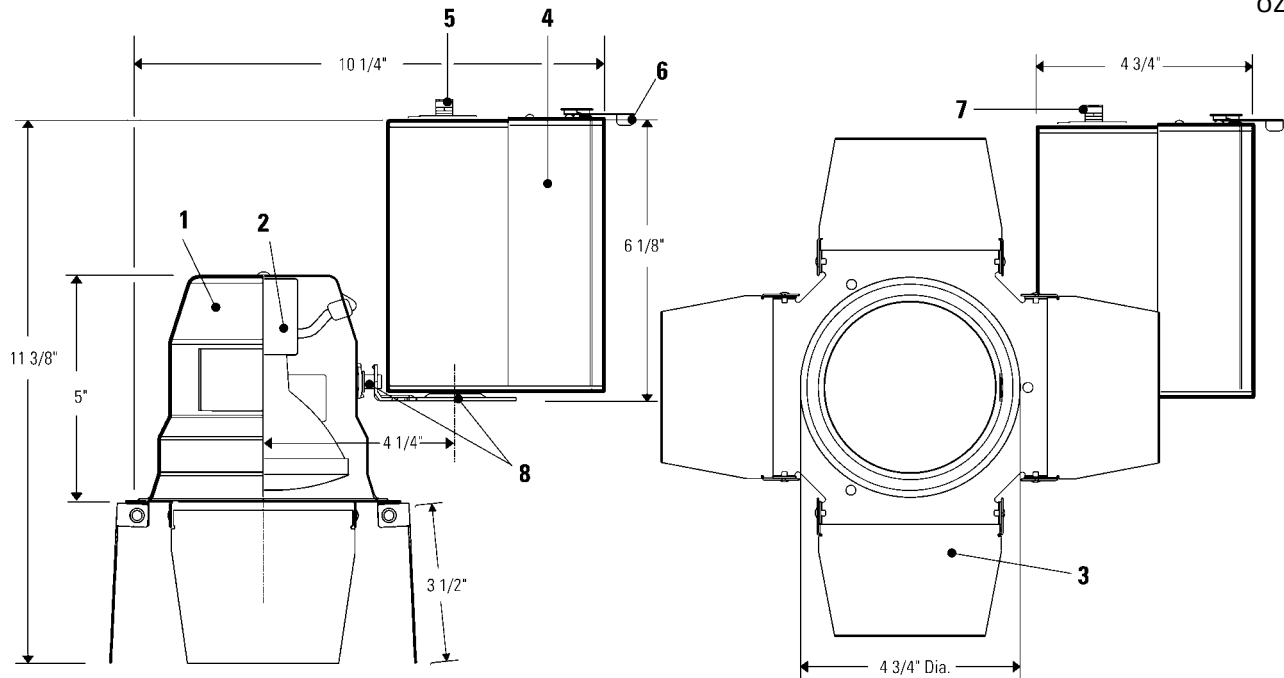


# Lytespan® Track Lighting System **8287BD**

8287BDWH  
8287BDBK  
8288BDWH  
8288BDBK



### Ordering Information

Catalog No.	Finishes	Mountings	Lamps
8287 BD WH	Matte White	All Lytespan® Track Systems and Multipoint. DO NOT USE with any other mounting accessories, horizontally mounted wall track or stem mounted Radius® Track.	39W PAR30 Metal Halide
8287 BD BK	Matte Black		
8288 BD WH	Matte White		70W PAR38 Metal Halide
8288 BD BK	Matte Black		70W PAR30 Metal Halide (Osram Sylvania Only)

### Features

- Housing:** 0.06" thick aluminum body.
- Socket:** 5kv pulse rated ceramic body socket with nickel plated lamp contacts; leads enclosed in silicone coated fiberglass sleeving.
- Barn Door:** Permanently tensioned integral assembly.
- Ballast:** High power factor, magnetic core and coil with dry film capacitor and lamp ignitor; housed in aluminum extrusion with heat sinks.
- Track Attachment Fitting:** Molded polycarbonate; rotates into track; integral polarity keyguard.
- Safety Locking Lever:** Locks and supports fixture in track.
- Brass Contact:** extends for connection to second circuit in Advent® Lytespan track.
- Pivots:** 180° horizontal and vertical rotation with tensioned mounts for controlled aim.

### Electrical

Magnetic Ballast:  
Lamp Wattage: 39W 70W  
Input Volt.: 120VAC 120VAC  
Input Wattage: 53W 94W  
Line Current: .442 Amps .7833 Amps  
ANSI Code: M130 M98

### Finish

All painted finishes are powder coated baked enamel.

### Labels

UL, IBEW.

### Job Information

### Type:

**Job Name:**

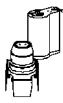
**Cat. No.:**

**Lamp(s):**

**Notes:**

Lightolier a Genlyte Thomas Company [www.lightolier.com](http://www.lightolier.com)  
631 Airport Road, Fall River, MA 02720 • (508) 679-8131 • Fax (508) 674-4710  
We reserve the right to change details of design, materials and finish.  
© 2002 Genlyte Thomas Group LLC (Lightolier Division) • A0902

**LIGHTOLIER®**

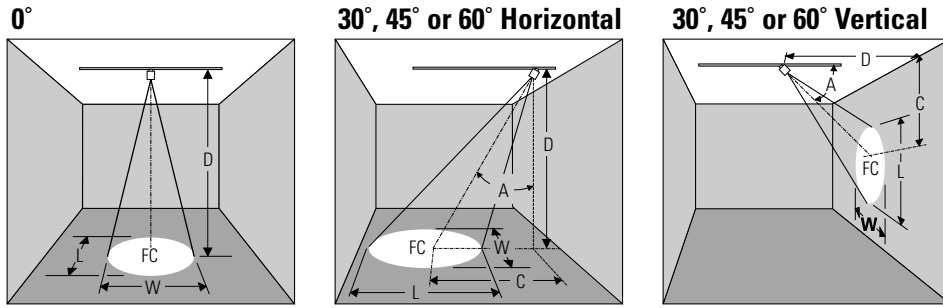


## Lighting Data

### Aiming Angle

- L** Beam Length
- W** Beam Width
- C** Distance to center beam
- D** Distance
- A** Aiming Angle
- FC** Footcandles

L and W are the outer points where the candle power drops to 50% of the maximum. FC are the initial footcandles at the center of the beam.



### LAMP

Beam Spread 50% Max CP	Beam Center C.F. Candelas	Rated Life-Hrs
	48000	6000
	7000	6000
	28000	7500
	16000	7500
	4000	7500
	42000	9000
	6500	9000

0° AIMING ANGLE					A=30° AIMING ANGLE					A=45° AIMING ANGLE					A=60° AIMING ANGLE				
D	FC	L	W		D	C	FC	L	W	D	C	FC	L	W	D	C	FC	L	W
15'	213	2.6'	2.6'		10'	5.8'	312	2.3'	2.0'	8'	8.0'	265	2.8'	2.0'	5'	8.7'	240	3.6'	1.7'
20'	120	3.5'	3.5'		15'	8.7'	139	3.5'	3.0'	12'	12.0'	118	4.2'	3.0'	8'	13.9'	94	5.7'	2.8'
25'	77	4.4'	4.4'		20'	11.5'	78	4.7'	4.0'	16'	16.0'	66	5.6'	4.0'	11'	19.1'	50	7.9'	3.8'
30'	53	5.2'	5.2'		25'	14.4'	50	5.8'	5.1'	20'	20.0'	42	7.8'	4.9'	14'	24.2'	31	10.0'	4.9'
7'	143	5.1'	5.1'		6'	3.5'	126	6.1'	5.0'	4'	4.0'	155	6.7'	4.1'	2'	3.5'	219	9.7'	2.9'
10'	70	7.3'	7.3'		9'	5.2'	58	9.1'	7.6'	6'	6.0'	69	10.1'	6.2'	3'	5.2	97	14.5'	4.4'
13'	41	9.5'	9.5'		12'	6.9'	32	12.2'	10.1'	8'	8.0'	39	13.4'	8.2'	4'	6.9'	55	19.3'	5.8'
16'	27	11.6'	11.6'		15'	8.7'	20	15.2'	12.6'	10'	10.0'	25	16.8'	10.3'	5'	8.7'	35	24.2'	7.3'
10'	280	2.6'	2.6'		8'	4.6'	284	2.8'	2.4'	6'	6.0'	275	3.2'	2.2'	4'	6.9'	219	4.4'	2.1'
15'	124	3.9'	3.9'		12'	6.9'	126	4.2'	3.6'	9'	9.0'	122	4.8'	3.4'	6'	10.4'	97	6.7'	3.2'
20'	70	5.3'	5.3'		16'	9.2'	671	5.8'	4.9'	12'	12.0'	69	6.4'	4.5'	8'	13.9'	55	8.9'	4.2'
25'	45	6.6'	6.6'		20'	11.5'	45	7.1'	6.1'	15'	15.0'	44	8.0'	5.6'	10'	17.3'	35	11.1'	5.3'
8'	250	4.3'	4.3'		7'	3.5'	212	5.1'	4.3'	5'	5.0'	226	5.8'	3.8'	3'	5.2'	222	8.2'	3.2'
12'	111	6.4'	6.4'		10'	4.0'	104	7.3'	6.2'	7'	7.0'	115	8.1'	5.3'	4'	6.9'	125	10.9'	4.3'
18'	63	8.8'	8.8'		13'	5.8'	61	9.5'	8.0'	9'	9.0'	70	10.4'	6.8'	5'	8.7'	80	13.7'	5.4'
20'	40	10.7'	10.7'		16'	7.5'	41	11.7'	9.9'	11'	11.0'	47	12.7'	8.3'	6'	10.4'	56	16.4'	6.4'
6'	111	7.6'	7.6'		5'	2.9'	104	9.8'	7.4'	3'	3.0'	157	12.9'	3.8'	2'	3.5'	125	NA	5.1'
8'	63	10.2'	10.2'		7'	4.0'	53	13.8'	10.3'	5'	5.0'	57	21.4'	5.4'	3'	5.2'	58	NA	7.6'
10'	40	12.7'	12.7'		9'	5.2'	32	17.7'	13.2'	7'	7.0'	29	30.0'	9.0'	4'	6.9'	31	NA	10.2'
12'	28	15.3'	15.3'		11'	8.4'	21	21.6'	16.2'	9'	9.0'	17	38.6'	16.2'	5'	8.7'	20	NA	12.7'
15'	187	2.6'	2.6'		10'	5.8'	273	2.3'	2.0'	8'	8.0'	232	2.8'	2.0'	5'	8.7'	210	3.6'	1.7'
20'	105	3.5'	3.5'		15'	8.7'	121	3.5'	3.0'	12'	12.0'	103	4.2'	3.0'	8'	13.9'	82	5.7'	2.8'
25'	67	4.4'	4.4'		20'	11.5'	68	4.7'	4.0'	16'	16.0'	58	5.5'	4.0'	11'	19.1'	43	7.9'	3.8'
30'	47	5.2'	5.2'		25'	14.4'	44	5.8'	5.1'	22'	22.0'	31	7.8'	5.4'	14'	24.2'	27	10.0'	4.9'
7'	133	3.8'	3.8'		6'	3.5'	117	4.4'	3.7'	4'	4.0'	144	4.6'	3.0'	2'	3.5'	203	5.5'	2.1'
10'	65	5.4'	5.4'		9'	5.2'	52	6.6'	5.6'	6'	6.0'	64	6.9'	4.5'	3'	5.2	90	8.2'	3.2'
13'	38	7.0'	7.0'		12'	6.9'	29	8.8'	7.4'	8'	8.0'	36	9.2'	6.1'	4'	6.9'	51	10.9'	4.3'
16'	25	8.8'	8.6'		15'	8.7'	19	11.0'	9.9'	10'	10.0'	23	11.5'	7.6'	5'	8.7'	33	13.7'	5.4'

### Job Information Type:

Lightolier a Genlyte Thomas Company www.lightolier.com  
 631 Airport Road, Fall River, MA 02720 • (508) 679-8131 • Fax (508) 674-4710  
 We reserve the right to change details of design, materials and finish.  
 © 2002 Genlyte Thomas Group LLC (Lightolier Division) • A0902

LIGHTOLIER®