

### Ordering Information

Catalog No.	Mounting	Finish	Lamps
8277EWH 8277EBK	All Lytespan Track Systems DO NOT attach to stem mounted track (unless used with suspension beam housing) or track mounted with swivel stem (7480, 7481) or wall mounted track.	Matte White Matte Black	2 Lt. 24W/27W Twin Tube Fluorescent PL-L24W by Philips F27/24BX by GE FT24DL by Osram Sylvania

### Features

- Attachment Fitting:** Molded polycarbonate integral color, fitting rotates into track and locks on with push tabs.
- Brass Contact:** Extends for connection to 2nd circuit in Advent® Lytespan track.
- Electronic Ballast:** .45 amps. Input power 54.
- Reflector:** Specular Plus®\* finish.
- Track Adapter Housing:** Die-cast aluminum.
- Body:** Extruded aluminum.
- Louver Tabs:** Molded in, snap into body, holds louver in place.
- Louver with Parabolic Blades:** Molded ABS, semi-specular finish.
- Lamp Socket**
- End Cap:** (2) Die-cast aluminum.
- Pivot Tension Mount:** 0° - 90° vertical rotation.
- Pivot Tension Mount:** 355° horizontal rotation.
- Push Tab:** Locks and detaches unit.
- Ballast Housing:** Die-cast aluminum.
- (2) 24W/27W Twin Tube:** Compact fluorescent lamps (by others).
- Lamp Support Clip (2)**

### Electrical

2 Lt. Rapid start, high power factor, electronic ballast. Min. starting temp. 0°F. Lampholder and ballast prewired with 105°C 18 ga. wire. Input voltage 120V.

### Finish

All painted finishes baked enamel.

### Labels

UL, I.B.E.W.

\* Specular Plus® is a registered trademark of MSC Laminates and Composites Inc.

Advent® is a registered trademark of Lightolier.

### Job Information

### Type:

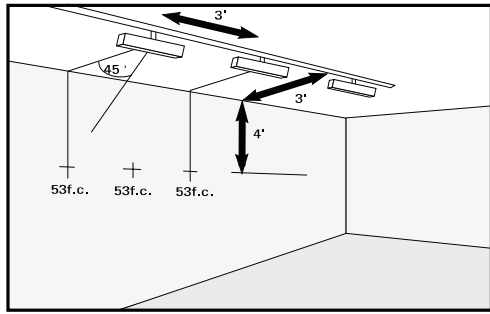
**Job Name:**

**Cat. No.:**

**Lamp(s):**

**Notes:**

**Lighting Data**



**Footcandles on Wall**

Track 2 Feet From Wall		Single Unit						Multiple Units								
← 2' →		0	1'	2'	3'	4'	5'	← 2' →			← 3' →			← 4' →		
Distance From Ceiling	1'	126	73	20	6	2	1	171	159	171	138	83	138	130	42	130
	2'	96	71	33	12	4	1	171	169	171	123	107	123	106	69	106
	3'	43	36	23	12	5	2	101	100	101	69	67	69	55	40	55
	4'	22	20	14	9	5	3	63	63	63	43	43	44	33	32	33
	5'	13	12	10	7	5	3	42	43	42	30	30	30	23	22	23
	6'	8	8	6	5	4	3	30	30	30	21	22	21	17	17	17
	7'	5	5	5	4	3	2	22	22	22	17	17	17	13	13	13
	8'	4	4	3	3	2	2	17	17	17	13	13	13	10	11	10
	9'	3	3	3	2	2	2	14	14	14	11	11	11	9	9	9

Track 3 Feet From Wall		Single Unit						Multiple Units								
← 3' →		0	1'	2'	3'	4'	5'	← 3' →			← 4' →			← 5' →		
Distance From Ceiling	1'	77	59	29	11	2	1	95	86	96	80	56	80	75	34	75
	2'	68	57	36	19	9	5	113	109	113	90	80	90	80	58	80
	3'	37	33	24	15	8	4	72	72	72	56	54	56	48	42	48
	4'	24	22	17	12	8	4	53	53	53	41	40	41	34	32	34
	5'	15	14	11	8	6	4	35	35	35	26	26	26	21	20	22
	6'	9	9	8	6	5	3	27	28	27	21	21	21	17	17	18
	7'	6	6	5	4	4	3	20	20	20	15	16	15	13	13	13
	8'	4	4	4	3	3	2	14	15	14	11	11	11	9	9	9
	9'	3	3	3	3	2	2	12	12	12	10	10	10	8	8	8

Track 4 Feet From Wall		Single Unit						Multiple Units								
← 4' →		0	1'	2'	3'	4'	5'	← 4' →			← 5' →			← 6' →		
Distance From Ceiling	1'	44	38	25	14	7	4	61	56	61	53	41	53	49	30	49
	2'	42	37	26	15	8	4	57	53	57	48	40	48	44	29	44
	3'	32	29	22	15	9	5	51	50	51	42	38	42	37	29	37
	4'	21	19	16	12	8	5	40	40	40	33	32	33	28	26	28
	5'	15	14	12	9	7	5	31	31	31	26	25	26	22	21	22
	6'	11	10	9	7	6	4	25	25	25	20	20	20	17	17	17
	7'	7	7	6	5	4	3	19	19	19	15	15	15	13	13	13
	8'	6	5	5	4	4	3	16	16	16	13	13	13	11	11	11
	9'	4	4	4	3	3	3	13	13	13	11	11	11	9	9	9

Values for multiple units are based on a minimum of five units.

**Job Information** **Type:**