

### Ordering Information

Catalog No.	Finishes	Mountings	Lamps
8274WH	Matte White	All Power Jacks	AR70
8274BK	Matte Black	Note: Ceiling mount only	50W Max.

### Features

- 1. Ring:** die-cast aluminum with cool grip insulation band, a high temperature silicone rubber which allows aiming adjustments while fixture is on.
- 2. Socket:** double contact bayonet base, zinc plated steel body prewired with 18 ga. stranded Teflon® leads with fiberglass outer sleeve.
- 3. Male Jack Connector:** mounted in 3/8" dia. stainless steel stem. Plugs into any 8600 Power Jack or Extender Stem. Allows for 360° horizontal rotation.
- 4. Tension Pivot Mount:** die-cast aluminum. Allows for 180° vertical rotation.
- 5. Lamp Guard:** tempered glass.
- 6. Spring:** steel springs hold lamp and housing in place.
- 7. Socket Boot:** high temperature insulated silicone rubber encases socket.

### Finish

All painted finishes are powder coated baked enamel.

### Options & Accessories

- Accessory Holder** 7661 Sof-Tech series; holds one accessory.
- Beam Elongator** AF25AS
- Beam Smoother** AF25LF
- Hexcell Louver** AL25HC

### Electrical/Dimming

For dimming information refer to Power Jack specification sheets.

### Labels

UL

Teflon® is a registered trademark of E.I. DuPont.

Job Information	Type:
<b>Job Name:</b>	
<b>Cat. No.:</b>	
<b>Lamp(s):</b>	
<b>Notes:</b>	

Lightolier a Genlyte Thomas Company [www.lightolier.com](http://www.lightolier.com)  
 631 Airport Road, Fall River, MA 02720 • (508) 679-8131 • Fax (508) 674-4710  
 We reserve the right to change details of design, materials and finish.  
 © 2002 Genlyte Thomas Group LLC (Lightolier Division) • A0902

# LIGHTOLIER®

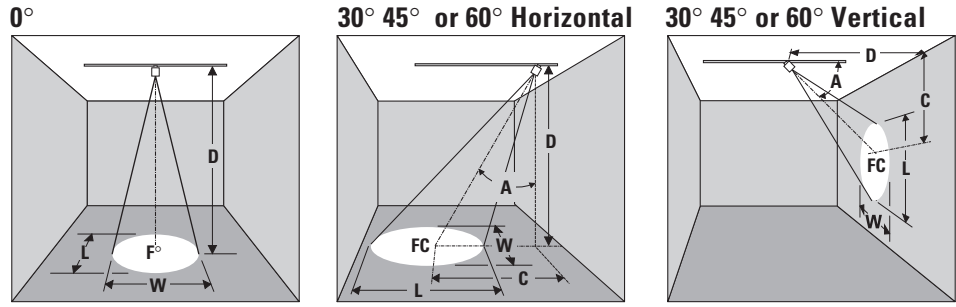


**Lighting Data**

**Aiming Angle:**

- L** Beam length
- W** Beam width
- C** Distance to center of beam
- D** Distance
- A** Aiming angle
- FC** Footcandles

**L** and **W** are the outer points where the candlepower drops to 50% of the maximum. **FC** are the initial footcandles at the center of the beam.



**LAMP**

	Beam Spread 50% Max CP	Beam Center C.P. Candelas	Rated Life-Hrs
20W AR70 SP (T-H) 10°		7000	2000
20W AR70 FL (T-H) 30°		1000	2000
50W AR70 SP (T-H) 10°		15000	2000

**0° AIMING ANGLE**

**A=30° AIMING ANGLE**

**A=45° AIMING ANGLE**

**A=60° AIMING ANGLE**

D	FC	L	W
7'	143	1.2'	1.2'
10'	70	1.7'	1.7'
13'	41	2.3'	2.3'
16'	27	2.8'	2.8'

D	C	FC	L	W
6'	3.5'	126	1.4'	1.2'
9'	5.2'	56	2.1'	1.8'
12'	6.9'	32	2.8'	2.4'
15'	8.7'	20	3.5'	3.0'

D	C	FC	L	W
4'	4.0'	155	1.4'	1.0'
6'	6.0'	69	2.1'	1.5'
8'	8.0'	39	2.8'	2.0'
10'	10.0'	25	3.5'	2.5'

D	C	FC	L	W
2'	3.5'	219	1.4'	0.7'
3'	5.2'	97	2.1'	1.0'
4'	6.9'	55	2.9'	1.4'
5'	8.7'	35	3.6'	1.7'

<b>Job Information</b>	<b>Type:</b>
------------------------	--------------

Lightolier a Genlyte Thomas Company [www.lightolier.com](http://www.lightolier.com)  
 631 Airport Road, Fall River, MA 02720 • (508) 679-8131 • Fax (508) 674-4710  
 We reserve the right to change details of design, materials and finish.  
 © 2002 Genlyte Thomas Group LLC (Lightolier Division) • A0902

**LIGHTOLIER®**