

Ordering Information

| Catalog No. | Finish | Mounting | Lamping |
|--|---|--|---|
| 81F39T45AL 81F39T45BK 81F39T45WH | Matte Aluminum Matte Black Matte White | All Lytespan Track systems, Basic, Advent and Radius Track systems only. Not compatible with ProSpec track system. | G8.5 Bi-PIN 39W T4.5 CMH (M130) Not Included |
| 81F39T45SPCAL 81F39T45SPCBK 81F39T45SPCWH | Matte Aluminum Specular Reflector Matte Black Specular Reflector Matte White Specular Reflector | | |
| 81F39T45WRMAL 81F39T45WRMBK 81F39T45WRMWH | Matte Aluminum Warming Reflector Matte Black Warming Reflector Matte White Warming Reflector | | |

Features

- Track Attachment Fitting:** Molded polycarbonate. Integral color in gray, black or white. Rotates into track and locks into place with the use of push tab.
- Push Tab:** Molded polycarbonate. Locks and detaches unit.
- Track Adaptor Housing:** Die-cast aluminum
- Movable Contact:** Solid Brass. Extends for connection to 2nd circuit in Advent track.
- Ground Contact:** Solid brass
- Pivot Mounts:** Allows for 350° horizontal and 0-90° vertical rotation in both directions with tensioned mounts for controlled aim.
- Ballast Housing:** Extruded aluminum housing with die-cast aluminum covers.
- Lamp Housing:** Extruded aluminum housing with two die-cast end plates.
- Protective Glass:** .125" tempered glass

Accessories

Vertical Blade Louver 81LV4BK
Visor 81VZ4BK

Finish

All Painted finishes are baked powder or enamel.

Electrical

Metal Halide Electronic Ballast, thermally protected
.04A Maximum input current
45W Maximum input power
High power factor

Labels

cCSAus Listed, for dry locations only.

Job Information

Type:

Job Name:

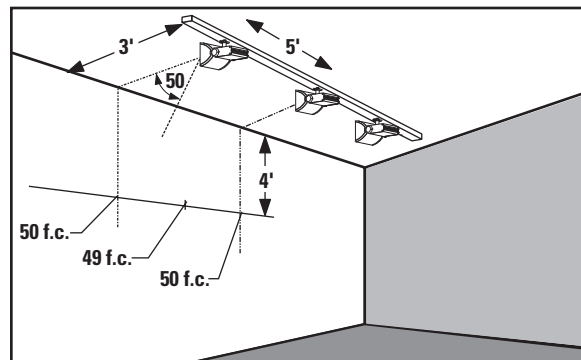
Cat. No.:

Lamp(s):

Notes:

Lighting Data – Specular Reflector

Footcandles on wall:



Lamp Information:

39W CDM T4 Single Ended Metal Halide. (Philips Elite)
 Initial Lumens: 3500
 CRI: 90
 Rated Avg. life: 12,000 hrs.

EXAMPLE: With track located 3' from wall and multiple units spaced 6' on center and aimed 50° from horizontal, the illumination on wall 4' from ceiling will be 50 f.c. beneath units and 49 f.c. between units.

Footcandles on Wall

| Track 3 Feet From Wall | | Single Unit | | | | | | Multiple Units | | | | | | | | |
|------------------------|----|-------------|-----|----|----|----|----|----------------|----|-----|----|----|----|----|----|----|
| | | 0' | 1' | 2' | 3' | 4' | 5' | 4' | | | 5' | | | 6' | | |
| Distance From Ceiling | | Beam Center | | | | | | | | | | | | | | |
| | 1' | 92 | 88 | 28 | 6 | 1 | 0 | 96 | 57 | 96 | 94 | 27 | 94 | 92 | 12 | 92 |
| | 2' | 94 | 109 | 46 | 12 | 3 | 1 | 100 | 92 | 100 | 96 | 49 | 96 | 94 | 25 | 94 |
| | 3' | 74 | 85 | 45 | 16 | 5 | 2 | 84 | 91 | 84 | 76 | 55 | 76 | 75 | 32 | 75 |
| | 4' | 46 | 53 | 35 | 16 | 6 | 2 | 58 | 72 | 58 | 50 | 49 | 50 | 48 | 32 | 48 |
| | 5' | 27 | 32 | 26 | 14 | 7 | 3 | 40 | 54 | 40 | 32 | 40 | 32 | 29 | 29 | 29 |
| | 6' | 16 | 19 | 17 | 11 | 6 | 3 | 28 | 38 | 28 | 22 | 30 | 22 | 19 | 23 | 19 |
| | 7' | 10 | 12 | 12 | 9 | 5 | 3 | 21 | 26 | 21 | 16 | 22 | 16 | 13 | 18 | 13 |
| | 8' | 7 | 8 | 8 | 6 | 4 | 3 | 16 | 19 | 16 | 12 | 16 | 12 | 10 | 18 | 10 |
| | 9' | 5 | 5 | 5 | 5 | 3 | 2 | 12 | 14 | 12 | 10 | 12 | 10 | 8 | 10 | 8 |

Footcandles are average and rounded off and data for multiple units are based on a minimum of five units.

For standard reflector multiply footcandles by 0.73

For warming reflector multiply footcandles by 0.82

Job Information

Type: