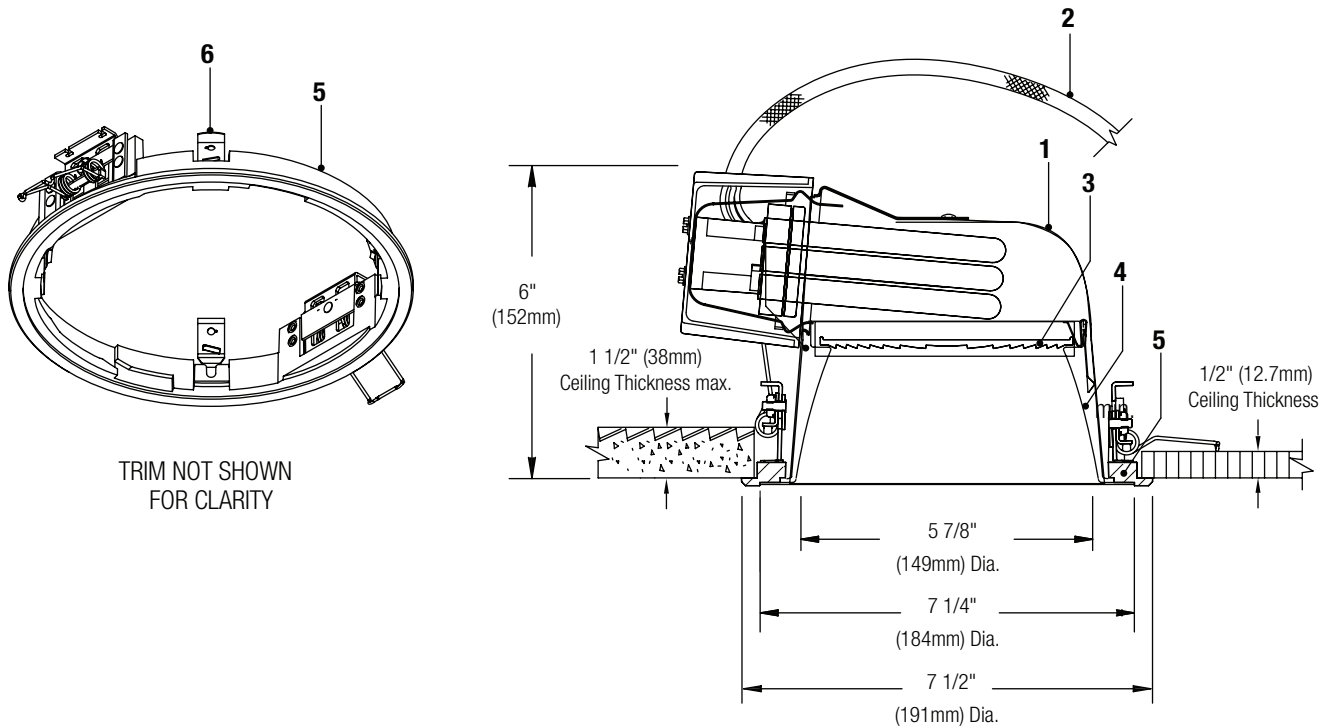


LIGHTOLIER® Calculite® Fluorescent Lensed Downlight 8091EXP

Page 1 of 2

6" Aperture Triple Tube Horizontal Lamp, For Export



TRIM NOT SHOWN
FOR CLARITY

Ceiling Cutout: 6 9/16" (129 mm) Dia.

Ordering Information

Reflector Trim	Installation Ring	Gear Harness	Lamp Data
8091CCCDPEXP Comfort Clear Diffuse, Polished Flange	C6XRM Matte White	BKFEU26 BKFEU26-32	26 or 32W Triple Tube GX24q-3 Base

Features

- Reflector:** 16 ga. Die-formed aluminum, Anobrite® finish.
- Gear Harness:** Electronic 240V, 50/60V Hz fluorescent ballast (not shown) with lamp socket, socket cup, and wiring harness. Socket cup effectively dissipates heat and positions lamp holder. Snaps onto reflector neck to assure consistently correct optical alignment without tools.
ORDER SEPARATELY. See separate specification sheet for details.
- Shielding Media:** Molded acrylic; clear lens. Secured to aperture cone.
- Cone:** 16 ga. Alzak® aluminum. Clear Iridescence Free finish or Comfort Clear™ low iridescence finish. Retained by friction springs; no loose parts.
- Installation Ring:** Cast aluminum ring is painted and has two 17ga. stainless steel springs that engage in upright position during installation. One touch snap action secures ring in ceiling cutout.
ORDER SEPARATELY. See separate specification sheet for details.
- Retention Springs:** Rust resistant springs secure trim for quick, tool-less installation (quantity of 4).

Certifications and Ratings



Job Information

Type:

Job Name:

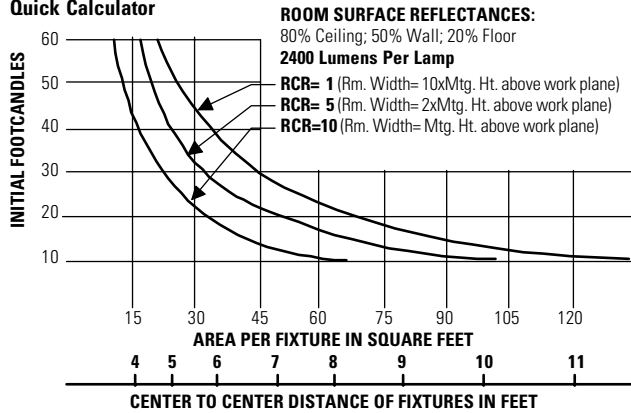
Cat. No.:

Lamp(s):

Notes:

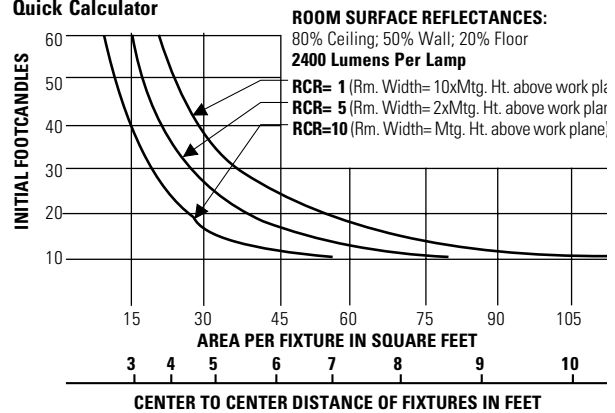
631 Airport Road, Fall River, MA 02720 • (508) 679-8131 • Fax (508) 674-4710
We reserve the right to change details of design, materials and finish.
www.lightolier.com © 2008 Philips Group • A0808

**32W Clear Cone (CL)
Quick Calculator**



This quick calculator chart determines the number and spacing of 1 ft. - 32W PL-T units with fresnel lens and clear reflector, for any level of illumination. Conversion factors: Opal diffuser, fc x 0.8; Clear lens, fc x 1.0. 1 ft. - 26W PLT : Fresnel Lens, fc x 0.8; Opal Diffuser, fc x 0.65; Clear lens fc x 0.8.

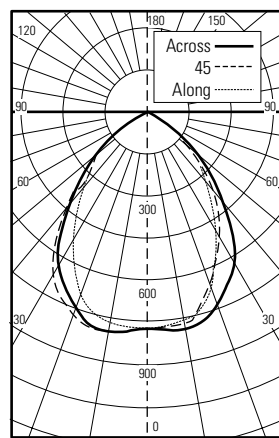
**32W White Cone (WH)
Quick Calculator**



This quick calculator chart determines the number and spacing of 1 ft. - 32W PL-T unit with fresnel lens and white cone, for any level of illumination. Conversion factors: Opal diffuser, fc x 0.8; Clear lens, fc x 1.0. 1 ft. - 26W PLT : Fresnel Lens, fc x 0.8; Opal Diff fc x 0.65; Clear lens fc x 0.8.

Spacing Ratio = 1.2

CERTIFIED TEST REPORT NO. 0075FR
COMPUTED BY LSI PROGRAM **TEST-LITE**
CALULITE 6" DIAMETER RECESSED FLUORESCENT LENSED DOWNLIGHT
SEMI-SPECULAR REFLECTOR WITH CLEAR CONE AND FRESNEL LENS
LUMEN RATING = 2400 LMS.
1-32W PL-T LAMP,



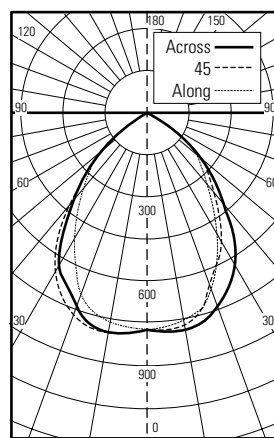
** EFFICIENCY = 51.2% **

Coefficients Of Utilization

ROOM CAVITY RATIO	% EFFECTIVE CEILING CAVITY REFLECTANCE															
	80				70				30				10			
	50	30	10	0	50	30	10	0	50	30	10	0	50	30	10	0
1	.56	.55	.54	.56	.54	.53	.53	.52	.51	.51	.50	.50	.49	.48	.48	
2	.52	.50	.48	.51	.49	.48	.50	.48	.47	.48	.47	.46	.47	.46	.45	
3	.48	.46	.44	.48	.45	.43	.46	.44	.43	.45	.43	.42	.44	.43	.41	
4	.45	.42	.40	.44	.42	.39	.43	.41	.39	.42	.40	.38	.41	.39	.37	
5	.42	.38	.36	.41	.38	.36	.40	.37	.35	.39	.37	.35	.38	.36	.34	
6	.38	.35	.33	.38	.35	.32	.37	.34	.32	.36	.34	.32	.36	.33	.31	
7	.35	.32	.30	.35	.32	.29	.34	.31	.29	.33	.31	.29	.33	.31	.28	
8	.32	.29	.27	.32	.29	.27	.32	.29	.27	.31	.28	.26	.30	.28	.25	
9	.30	.27	.24	.30	.26	.24	.29	.26	.24	.29	.26	.24	.28	.26	.23	
10	.28	.24	.22	.27	.24	.22	.27	.24	.22	.26	.24	.22	.26	.23	.21	

Spacing Ratio = 1.1

CERTIFIED TEST REPORT NO. 0072FR
COMPUTED BY LSI PROGRAM **TEST-LITE**
CALULITE 6" DIAMETER RECESSED FLUORESCENT LENSED DOWNLIGHT
SEMI-SPECULAR REFLECTOR WITH WHITE CONE AND FRESNEL LENS
LUMEN RATING = 2400 LMS.
1-32W PL-T LAMP,



** EFFICIENCY = 43.9% **

Coefficients Of Utilization

ROOM CAVITY RATIO	% EFFECTIVE CEILING CAVITY REFLECTANCE															
	80				70				30				10			
	50	30	10	0	50	30	10	0	50	30	10	0	50	30	10	0
1	.48	.46	.45	.47	.46	.44	.45	.44	.43	.43	.43	.42	.42	.41	.41	
2	.44	.42	.40	.42	.41	.39	.41	.40	.38	.40	.39	.38	.39	.38	.37	
3	.40	.37	.35	.39	.37	.35	.38	.38	.34	.37	.35	.34	.36	.33	.33	
4	.37	.34	.32	.36	.34	.32	.35	.33	.31	.34	.32	.31	.34	.32	.30	
5	.34	.31	.29	.33	.31	.28	.33	.30	.28	.32	.30	.28	.31	.29	.28	
6	.31	.28	.26	.31	.28	.26	.30	.28	.26	.29	.27	.25	.25	.27	.25	
7	.29	.26	.23	.28	.25	.23	.25	.25	.23	.27	.25	.23	.27	.25	.23	
8	.26	.23	.21	.26	.23	.21	.26	.23	.21	.25	.23	.21	.25	.23	.21	
9	.24	.21	.19	.24	.21	.19	.24	.21	.19	.23	.21	.19	.23	.21	.19	
10	.23	.20	.18	.22	.20	.18	.22	.20	.18	.22	.20	.18	.22	.20	.19	

Job Information Type:

631 Airport Road, Fall River, MA 02720 • (508) 679-8131 • Fax (508) 674-4710
We reserve the right to change details of design, materials and finish.
www.lightolier.com © 2008 Philips Group • A0808