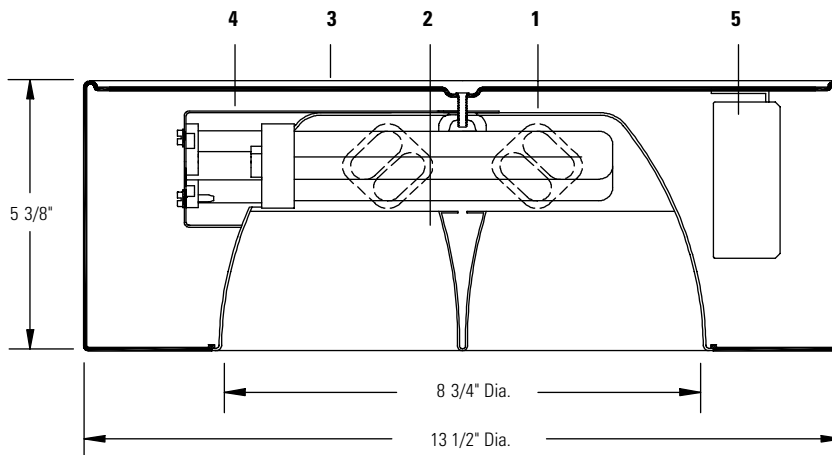




# Calculite® Surface Cylinder CFL Downlight **8068/CS8**



Reflector Trim		Cylinder Housing Kit			Lamps
<b>8068CL</b>	Specular Clear	<b>CS8218LPU</b>	Electronic	120V-277V	2-18W Quad Tube
<b>8068CCL</b>	Comfort Clear™	<b>CS8218LPDU</b>	PowerSpec® Dimming	120V-277V	4-Pin
<b>8068CCD</b>	Comfort Clear Diffuse™	<b>CS8226LPU</b>	Electronic	120V-277V	2-26W Quad Tube
<b>8068WH</b>	White	<b>CS8226LPDU</b>	PowerSpec® Dimming	120V-277V	4-PIN
		<b>CS8226LPJUM7</b>	Advance Mark VII® Dimming	120V-277V	

## Features

- 1. Reflector:** Alzak® aluminum, 16 ga. 50° visual cutoff to lamp and lamp image. Iridescence Free™ finish eliminates rainbowing without degrading optical performance. Minimum flange.
- 2. Parabolic Louver:** Prefinished reflector aluminum, 50° visual cutoff to lamp and lamp image. Removable and keyed for orientation. Louver/reflector/socket support can be rotated for horizontal alignment. Aperture appearance matches recessed unit (see Specification Sheet No. 8068).
- 3. Housing Cylinder:** 16 ga. seamless aluminum with returned edge precisely seats flush with reflector without exposed edge. Painted white finish.
- 4. Socket Support:** Die-formed steel with venting to dissipate heat and assure lamps maintain proper optical alignment to reflector. Can be rotated with reflector/louver for horizontal alignment. Pre-wired with No. 18 ga. AWM leads.
- 5. Ballast:** Universal 120-277V, electronic, short circuit and end-of-lamp life protection, THD<10%, Class P, high power factor, No PCBs, FCC approved, quiet operation. Dimming Range: 100% -10% for PowerSpec®; 100% - 5% for Advance Mark VII®. For additional information, see **Ballast, Dim-Lol** and **Dim-Advance** Specification Sheets.

## Options and Accessories

**Other Dimming Ballasts** Consult Factory  
**Stem Kit** Consult Factory

## Electrical

UL listed for 90°C supply conductors.

## Dimming Control

Use with dimmers specially designed for use with dimming ballasts. For additional information, see Lightolier Controls Catalog, or contact Lightolier Controls at 800-526-2731 or visit website at [www.lolcontrols.com](http://www.lolcontrols.com).

## Labels

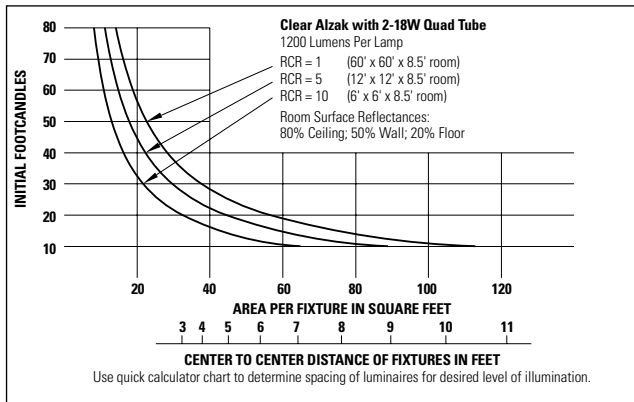
UL listed for damp locations, I.B.E.W.

Alzak® is a registered trademark of ALCOA.  
 Mark VII® is a registered trademark of Advance Transformer Company.

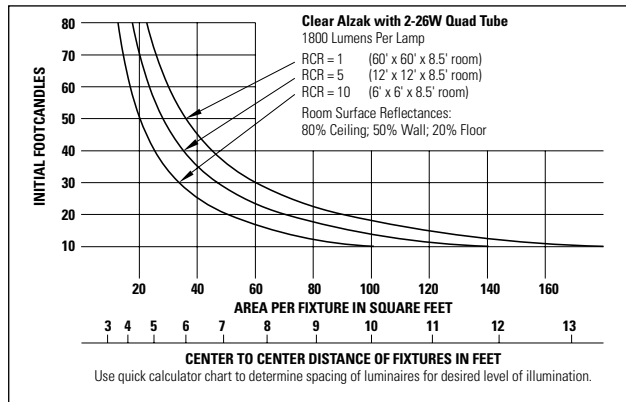
Job Information	Type:
<b>Job Name:</b>	
<b>Cat. No.:</b>	
<b>Lamp(s):</b>	
<b>Notes:</b>	

**Lightolier** a Genlyte Thomas Company [www.lightolier.com](http://www.lightolier.com)  
 631 Airport Road, Fall River, MA 02720 • (508) 679-8131 • Fax (508) 674-4710  
 We reserve the right to change details of design, materials and finish.  
 © 2002 Genlyte Thomas Group LLC (Lightolier Division) • A0902

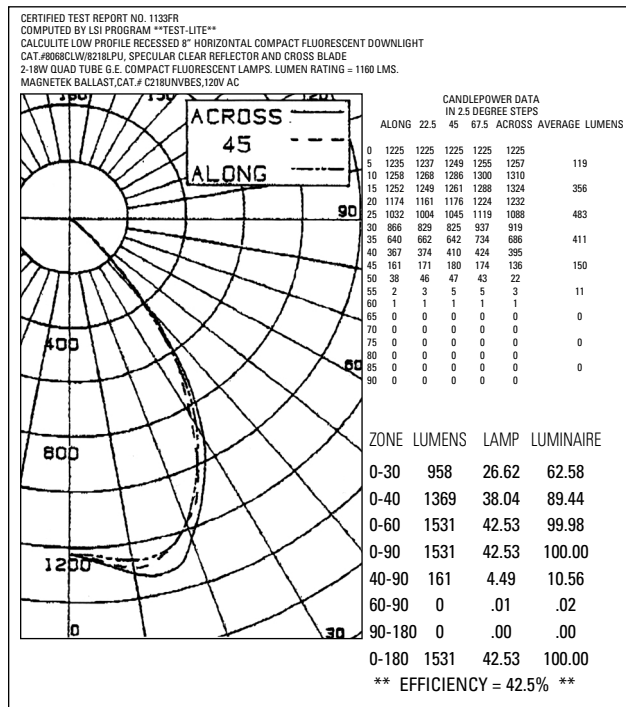
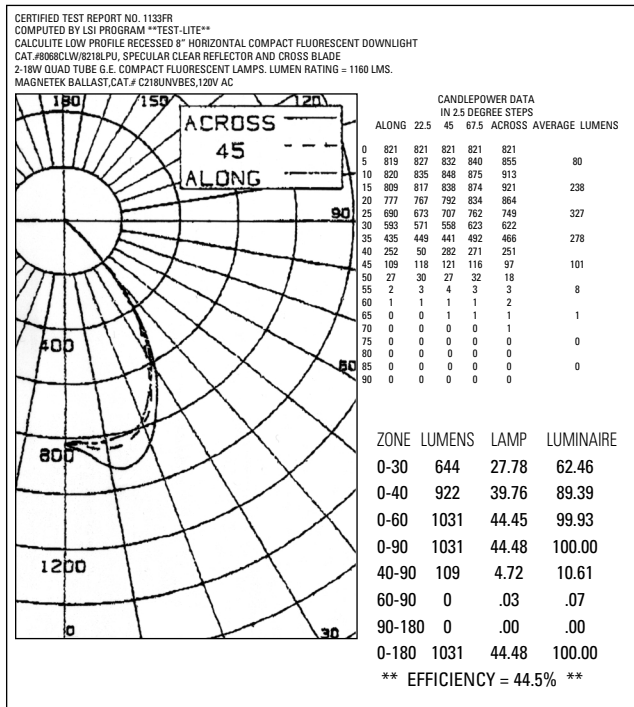
**LIGHTOLIER**



Spacing Ratio= 1:1



Spacing Ratio= 1:1



**COEFFICIENTS OF UTILIZATION**  
%EFFECTIVE FLOOR CAVITY REFLECTANCE = .20

ROOM CAVITY RATIO	80		70		50		30		10		0	
	50	30	10	50	30	10	50	30	10	50		30
1	.50	.49	.48	.49	.48	.47	.47	.46	.46	.45	.45	.44
2	.47	.45	.44	.46	.44	.43	.44	.43	.42	.43	.42	.41
3	.44	.42	.40	.43	.42	.40	.42	.41	.39	.41	.40	.39
4	.41	.39	.38	.41	.39	.37	.40	.38	.37	.39	.38	.36
5	.39	.36	.35	.38	.36	.35	.38	.36	.34	.37	.35	.34
6	.37	.34	.33	.36	.34	.32	.36	.34	.32	.35	.33	.32
7	.34	.32	.30	.34	.32	.30	.34	.31	.30	.33	.31	.30
8	.32	.30	.28	.32	.30	.28	.31	.29	.28	.31	.29	.28
9	.30	.28	.26	.30	.28	.26	.30	.27	.26	.29	.27	.26
10	.28	.26	.24	.28	.26	.24	.28	.25	.24	.27	.25	.24

**COEFFICIENTS OF UTILIZATION**  
%EFFECTIVE FLOOR CAVITY REFLECTANCE = .20

ROOM CAVITY RATIO	80		70		50		30		10		0	
	50	30	10	50	30	10	50	30	10	50		30
1	.47	.47	.46	.47	.46	.45	.45	.44	.44	.43	.43	.42
2	.45	.43	.42	.44	.43	.41	.43	.41	.40	.41	.40	.39
3	.42	.40	.39	.41	.40	.38	.40	.39	.38	.39	.38	.37
4	.40	.38	.36	.39	.37	.36	.38	.37	.35	.37	.36	.34
5	.37	.35	.33	.37	.35	.33	.36	.34	.33	.35	.34	.32
6	.35	.33	.31	.35	.33	.31	.34	.32	.31	.34	.32	.30
7	.33	.31	.29	.33	.30	.29	.32	.30	.29	.32	.30	.28
8	.31	.29	.27	.31	.28	.27	.30	.28	.27	.30	.28	.26
9	.29	.27	.25	.29	.26	.25	.28	.26	.25	.28	.26	.24
10	.27	.25	.23	.27	.25	.23	.27	.24	.23	.26	.24	.22

### Job Information Type:

Lightolier a Genlyte Thomas Company [www.lightolier.com](http://www.lightolier.com)  
631 Airport Road, Fall River, MA 02720 • (508) 679-8131 • Fax (508) 674-4710  
We reserve the right to change details of design, materials and finish.  
© 2002 Genlyte Thomas Group LLC (Lightolier Division) • A0902

# LIGHTOLIER®