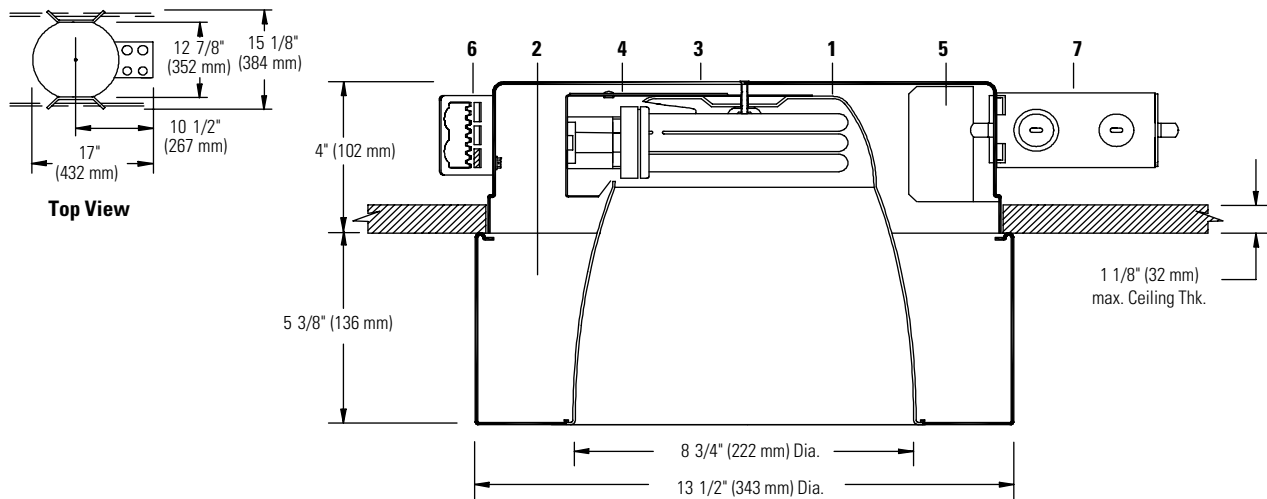


# Calculite® Semi-Recessed CFL Downlight **8039/SR8242**



Ceiling Cutout: 13" (330 mm) Dia.

Reflector Trim		Frame-In Kit		Lamps	
<b>8039CL</b>	Specular Clear	<b>SR8242U</b>	Electronic	120V-277V	2-26/32/42W Triple Tube
<b>8039CCL</b>	Comfort Clear™	<b>SR8242JUM7</b>	Advance Mark VII® Dimming	120V-277V	4-Pin
<b>8039CCD</b>	Comfort Clear Diffuse™				
<b>8039WHW</b>	White, White Flange				

### Features

- Reflector:** Alzak® aluminum, 16 ga.; 50° visual cutoff to lamp and lamp image. Iridescence Free™ finish eliminates rainbowing without degrading optical performance. Minimum flange. Aperture appearance matches recessed unit (see Specification Sheet No. 8039).
- Housing Cylinder:** 16 ga. seamless aluminum with returned edge precisely seats flush with reflector (except white reflector) without exposed edge. Painted white finish.
- Recessed Housing:** Hydroformed heavy aluminum, 14 ga. Accepts other 8 3/4" triple tube reflector trims.
- Socket Support:** Die-formed steel with venting to dissipate heat and assure lamps maintain proper optical alignment to reflector. Can be rotated with reflector/louver for horizontal alignment. Pre-wired with No. 18 ga. AWM leads.
- Ballast:** Universal 120-277V, electronic, short circuit, and end-of-lamp life protection, THD<10%, Class P, high power factor, No PCBs, FCC approved, quiet operation. 100%-5% dimming range for Advance Mark VII®. For additional information, see **Ballast** and **Dim-Advance** Specification Sheets.
- Mounting Brackets:** 16 ga. steel. Adjust from inside of fixture. Use 3/4" or 1 1/2" lathing channel, 1/2" EMT, or optional mounting bars.
- Junction Box:** 16 ga. Steel, 4" x 4" x 2" box allows inspection from below.

### Options & Accessories

<b>Other Dimming Ballasts</b>	Consult Factory
<b>Mounting Bars</b>	<b>1950</b> - 18" set of (2) <b>1951</b> - 27" set of (2)
<b>T-Bars Anchor Clips</b>	<b>1956</b> - set of (4) for use w/ above.
<b>Wood Joist Telescoping Bars</b>	<b>7994</b> - set of (2)
<b>Chicago Plenum</b>	Consult Factory
<b>Fuse (Slow Blow)</b>	Add Suffix <b>F</b> to Frame-In Kit

### Electrical

UL Listed for through branch circuit wiring with max. of (8) No. 12 AWG, 90°C supply conductors

### Dimming Control

Use with dimmers specially designed for use with dimming ballast. For additional information, see Lightolier Controls Catalog, or call Lightolier Controls at 800-526-2731 or visit website at [www.lolcontrols.com](http://www.lolcontrols.com).

### Labels

UL listed for damp locations, I.B.E.W.

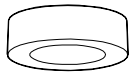
Alzak® is a registered trademark of ALCOA.

Mark VII® is a registered trademark of Advance Transformer Company.

Job Information	Type:
<b>Job Name:</b>	
<b>Cat. No.:</b>	
<b>Lamp(s):</b>	
<b>Notes:</b>	

**Lightolier** a Genlyte Thomas Company [www.lightolier.com](http://www.lightolier.com)  
 631 Airport Road, Fall River, MA 02720 • (508) 679-8131 • Fax (508) 674-4710  
 We reserve the right to change details of design, materials and finish.  
 © 2002 Genlyte Thomas Group LLC (Lightolier Division) • A0902

**LIGHTOLIER®**

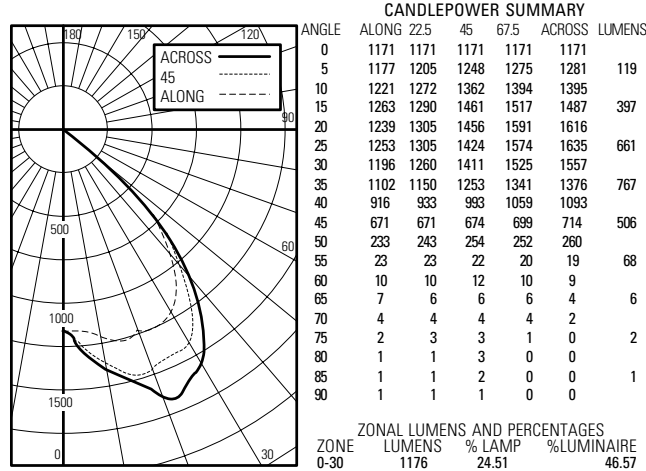


# Calculite® Semi-Recessed CFL Downlight **8039/SR8242**

### 32 W

#### Spacing Ratio: Along=1.4 Across=1.6

CERTIFIED TEST REPORT NO. 0163FR COMPUTED BY LSI PROGRAM \*\*TEST-LITE\*\*  
 CALCULITE 8 3/8" DIA. APERTURE RECESSED FLUORESCENT OPEN REFLECTOR DOWNLIGHT,  
 REFLECTOR FINISH CLEAR I.F. TWO PHILIPS PL-T 32W COMPACT FLUORESCENT LAMPS.  
 LUMEN RATING = 2400 LMS. TWO LIGHTOLIER BALLASTS CAT.# GLT423-120I, 120 VAC



**\*\* EFFICIENCY = 52.6% \*\***  
 DATE: SEP 18, 1996  
 PREPARED FOR: LIGHTOLIER

TESTED ACCORDING TO IES PROCEDURES. TEST DISTANCE EXCEEDS FIVE TIMES THE GREATEST LUMINOUS OPENING OF LUMINAIRE.

#### Coefficients of Utilization

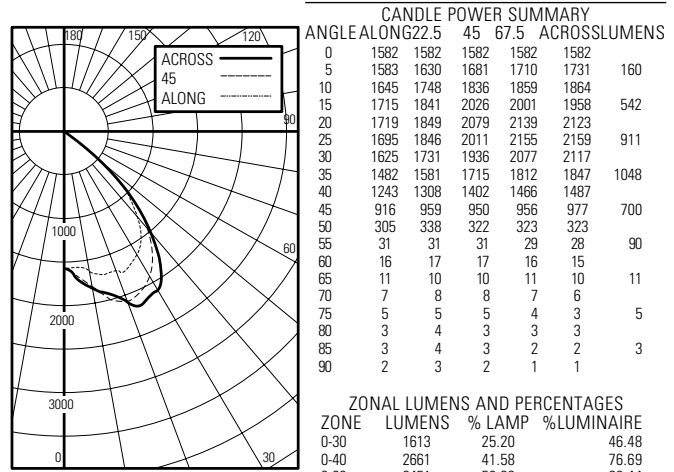
ROOM CAVITY RATIO	% EFFECTIVE CEILING CAVITY REFLECTANCE																							
	80				70				50				30				10				0			
	% WALL REFLECTANCE																							
	50	30	10	50	30	10	50	30	10	50	30	10	50	30	10	50	30	10	50	30	10	50	30	10
1	.58	.57	.56	.57	.56	.55	.55	.54	.53	.53	.52	.51	.51	.50	.50	.49	.49	.48	.47	.46	.46	.46	.46	
2	.54	.52	.50	.53	.51	.49	.51	.50	.48	.50	.49	.47	.48	.47	.46	.46	.46	.45	.44	.43	.42	.42	.42	
3	.50	.47	.45	.49	.47	.45	.48	.46	.44	.47	.45	.43	.45	.44	.43	.42	.42	.41	.40	.39	.39	.39	.39	
4	.46	.43	.41	.46	.43	.41	.45	.42	.40	.44	.42	.40	.43	.41	.39	.39	.38	.37	.36	.35	.35	.35	.35	
5	.43	.40	.37	.42	.39	.37	.41	.39	.37	.41	.38	.36	.40	.38	.36	.35	.35	.34	.33	.32	.32	.32	.32	
6	.40	.36	.34	.39	.36	.34	.39	.36	.34	.38	.35	.33	.37	.35	.33	.32	.32	.31	.30	.29	.29	.29	.29	
7	.37	.33	.31	.36	.33	.31	.35	.32	.30	.35	.32	.30	.34	.32	.30	.29	.29	.28	.27	.26	.26	.26	.26	
8	.34	.30	.28	.33	.30	.28	.33	.30	.27	.32	.29	.27	.31	.29	.27	.26	.26	.25	.24	.24	.24	.24	.24	
9	.31	.27	.25	.30	.27	.25	.30	.27	.25	.29	.27	.25	.29	.26	.24	.24	.24	.23	.22	.22	.22	.22	.22	
10	.28	.25	.22	.28	.25	.22	.27	.24	.22	.27	.24	.22	.27	.24	.22	.22	.22	.21	.20	.20	.20	.20	.20	

20% FLOOR CAVITY REFLECTANCE  
 For 26W lamps, multiply CU.'s x 1.0.

### 42 W

#### Spacing Ratio: Along=1.4 Across=1.5

CERTIFIED TEST REPORT NO. 0172FR COMPUTED BY LSI PROGRAM \*\*TEST-LITE\*\*  
 CALCULITE 8 3/8" DIA. APERTURE RECESSED FLUORESCENT OPEN REFLECTOR  
 DOWNLIGHT REFLECTOR FINISH CLEAR I.F. TWO PHILIPS PL-T 42W COMPACT  
 FLUORESCENT LAMPS.. LUMEN RATING = 3200 LMS. TWO LIGHTOLIER BALLASTS  
 CAT.# GLT423-120I, 120 VAC



**\*\* EFFICIENCY = 54.2% \*\***

TESTED ACCORDING TO IES PROCEDURES. TEST DISTANCE EXCEEDS FIVE TIMES THE GREATEST LUMINOUS OPENING OF LUMINAIRE.

#### Coefficients of Utilization

ROOM CAVITY RATIO	% EFFECTIVE CEILING CAVITY REFLECTANCE																							
	80				70				50				30				10				0			
	% WALL REFLECTANCE																							
	50	30	10	50	30	10	50	30	10	50	30	10	50	30	10	50	30	10	50	30	10	50	30	10
1	.60	.58	.57	.59	.57	.56	.56	.55	.55	.54	.54	.53	.53	.52	.51	.50	.49	.48	.47	.46	.46	.46	.46	
2	.56	.53	.51	.55	.53	.51	.53	.51	.50	.51	.50	.49	.50	.49	.48	.47	.46	.45	.44	.43	.42	.42	.42	
3	.51	.49	.46	.51	.48	.46	.49	.47	.45	.48	.46	.45	.47	.45	.44	.43	.42	.41	.40	.39	.39	.39	.39	
4	.48	.45	.42	.47	.44	.42	.46	.43	.42	.45	.43	.41	.44	.42	.41	.40	.39	.38	.37	.36	.36	.36	.36	
5	.44	.41	.38	.44	.40	.38	.43	.40	.38	.42	.39	.38	.41	.39	.37	.36	.35	.34	.33	.32	.32	.32	.32	
6	.41	.37	.35	.40	.37	.35	.40	.37	.35	.39	.36	.34	.38	.36	.34	.33	.32	.31	.30	.29	.29	.29	.29	
7	.38	.34	.32	.37	.34	.31	.36	.33	.31	.36	.33	.31	.35	.33	.31	.30	.29	.28	.27	.26	.26	.26	.26	
8	.34	.31	.28	.34	.31	.28	.34	.30	.28	.33	.30	.28	.32	.30	.28	.27	.26	.25	.24	.24	.24	.24	.24	
9	.32	.28	.25	.31	.28	.25	.31	.28	.25	.30	.27	.25	.30	.27	.25	.24	.24	.23	.22	.22	.22	.22	.22	
10	.29	.25	.23	.29	.25	.23	.28	.25	.23	.28	.25	.23	.27	.24	.22	.22	.22	.21	.20	.20	.20	.20	.20	

20% FLOOR CAVITY REFLECTANCE

#### Job Information Type:

Lightolier a Genlyte Thomas Company www.lightolier.com  
 631 Airport Road, Fall River, MA 02720 • (508) 679-8131 • Fax (508) 674-4710  
 We reserve the right to change details of design, materials and finish.  
 © 2002 Genlyte Thomas Group LLC (Lightolier Division) • A0902

