

Ceiling Cutout: 5 3/4" (146 mm) Dia.

Ordering Information

Reflector Trim	Installation Ring	Gear Harness	Lamp Data
8011WWCCDPEXP Comfort Clear Diffuse, Polished Flange	C4XRM Matte White	BKFEU18	18W Triple Tube GX24q-2 Base

Features

- Downlight/Wall Washer Reflector:** 16 ga. Alzak® aluminum. 50° lamp cutoff and lamp image. Provides vertical surface wall wash and downlighting.
- Socket Cup:** Die-cast aluminum cup effectively dissipates heat and positions lamp holder. Snaps onto reflector neck to assure consistently correct optical alignment without tools. Included with Gear Harness assembly (see Item 5 below).
- Installation Ring:** Cast aluminum ring is painted and has two 17ga. stainless steel springs that engage in upright position during installation. One touch snap action secures ring in ceiling cutout. ORDER SEPARATELY. See separate specification sheet for details.
- Trim Retention Springs:** Rust resistant springs secure reflector/housing for quick, toolless installation (quantity of 4).
- Gear harness (not shown):** Electronic 240V, 50/60hz fluorescent ballast with lamp socket and wiring harness. ORDER SEPARATELY. See separate specification sheet for details.

Certifications and Ratings



Job Information

Type:

Job Name:

Cat. No.:

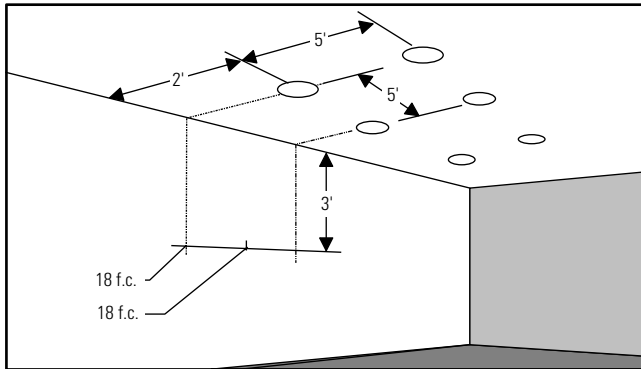
Lamp(s):

Notes:

631 Airport Road, Fall River, MA 02720 • (508) 679-8131 • Fax (508) 674-4710
 We reserve the right to change details of design, materials and finish.
 www.lightolier.com © 2008 Philips Group • A0508

Lighting Data

Footcandles On Wall: Multiple 18W Triple Tube Units



Example: With multiple clear reflector units located 2' from wall and spaced 2' on center (matching downlights 5' on center), the illumination on the wall 3' down from ceiling will be 14 f.c. beneath units and 18 f.c. between units.

Footcandle values are averaged and rounded off and are based on a minimum of five units.

2' From Wall-2' On Center

Distance From Ceiling in Feet	2' On Center		
	1	2	3
1	14	12	14
2	17	16	17
3	18	18	18
4	16	16	16
5	12	12	12
6	10	10	10
7	7	7	7
8	6	6	6
9	4	4	4

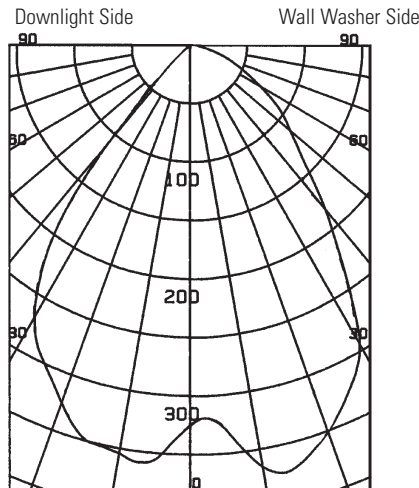
2' From Wall-3' On Center

Distance From Ceiling in Feet	3' On Center		
	1	2	3
1	11	6	11
2	14	9	14
3	12	12	12
4	10	11	10
5	8	8	8
6	7	7	7
7	5	5	5
8	4	4	4
9	3	3	3

2' From Wall-4' On Center

Distance From Ceiling in Feet	4' On Center		
	1	2	3
1	11	3	11
2	13	5	13
3	11	7	11
4	8	8	8
5	6	6	6
6	5	5	5
7	4	4	4
8	3	3	3
9	3	3	3

Candlepower Distribution Downlight Spacing Ratio 1.3



Coefficients of Utilization

ROOM CAVITY RATIO	% EFFECTIVE CEILING CAVITY REFLECTANCE															
	80		70			50			30			10		0		
	50	30	10	50	30	10	50	30	10	50	30	10	50	30	10	0
1	.46	.45	.44	.45	.44	.43	.43	.43	.42	.41	.41	.40	.40	.39	.39	.39
2	.43	.41	.39	.42	.40	.39	.41	.39	.38	.38	.37	.38	.37	.37	.36	.36
3	.40	.37	.36	.39	.37	.36	.38	.36	.35	.37	.36	.34	.36	.35	.34	.33
4	.37	.35	.33	.36	.34	.33	.36	.34	.32	.35	.33	.32	.34	.33	.31	.31
5	.34	.32	.30	.34	.32	.30	.33	.31	.30	.32	.31	.29	.32	.30	.29	.28
6	.32	.30	.28	.32	.29	.28	.31	.29	.27	.31	.29	.27	.30	.28	.27	.26
7	.30	.27	.26	.30	.27	.25	.29	.27	.25	.28	.26	.25	.28	.26	.25	.24
8	.28	.25	.23	.27	.25	.23	.27	.25	.23	.27	.25	.23	.26	.24	.23	.22
9	.26	.23	.22	.26	.23	.22	.25	.23	.21	.25	.23	.21	.24	.23	.21	.21
10	.24	.22	.20	.24	.22	.20	.24	.21	.20	.23	.21	.20	.23	.21	.20	.19

20% FLOOR CAVITY REFLECTANCE

Job Information

Type:

631 Airport Road, Fall River, MA 02720 • (508) 679-8131 • Fax (508) 674-4710

We reserve the right to change details of design, materials and finish.

www.lightolier.com © 2008 Philips Group • A0508