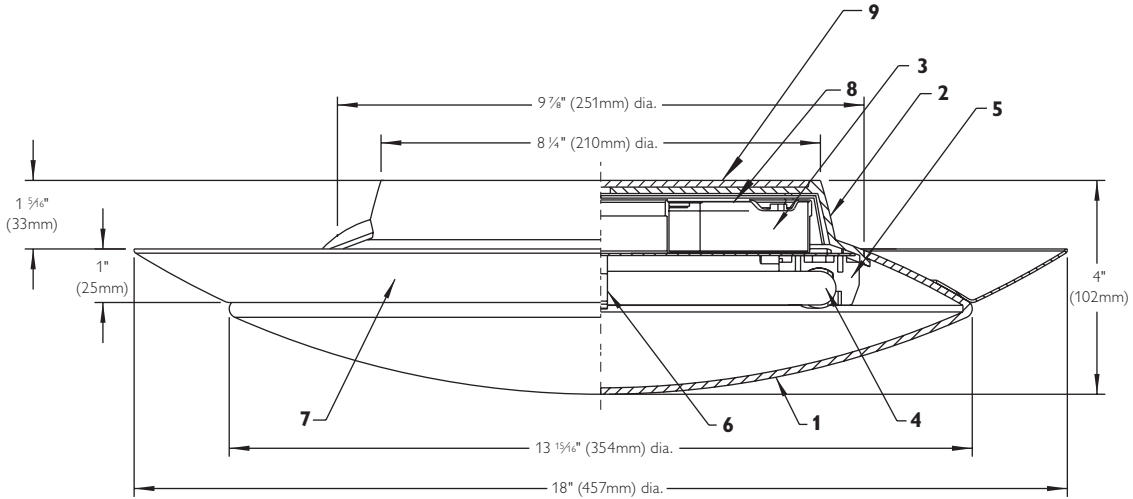


# 6706MS22UNY

Decorative, Discus, CFL, 1 Lt. 22W

Page 1 of 2



ADA Compliant

## Ordering Information

Catalog Number	Finish	Wattage	Voltage	Lamping	
6706MS22UNY	matte silver	22W	120V/277V	Philips FC9T5/*	Osram/Sylvania FPC22/*

\*Designates manufacturers' color temperature

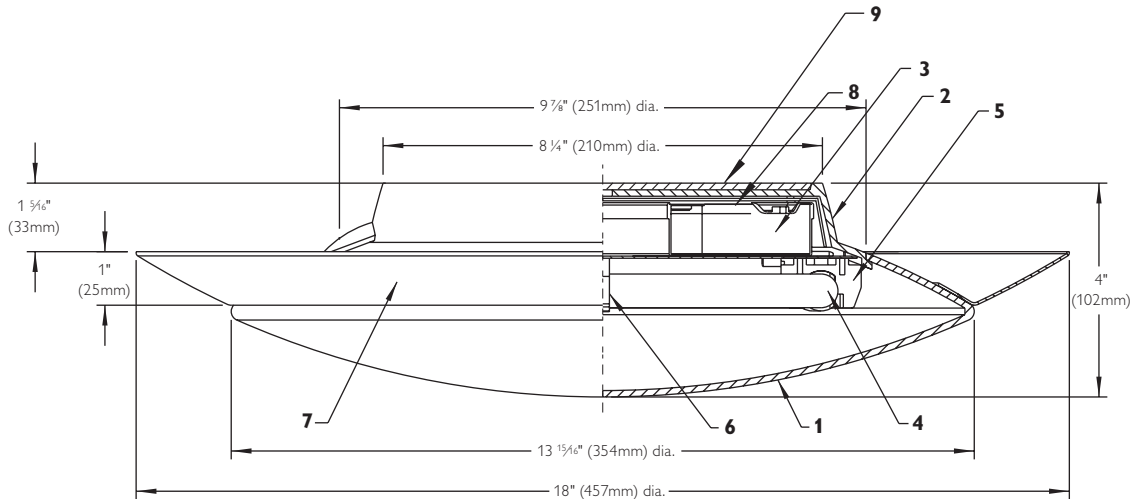
Job Information	Type:
Job Name:	
Cat. No.:	
Notes:	

**PHILIPS**  
**LIGHTOLIER**

# 6706MS22UNY

## Decorative, Discus, CFL, 1 Lt. 22W

Page 2 of 2



ADA Compliant

### Features

- 1. Diffuser:** Acrylic, injection molded and bonded into one piece assembly; 0.12" minimum thickness; 70% light transmission. Lights evenly without discernible hot spots. Integral tabs provide "twist-lock" installation; no loose hardware, no tools required.
- 2. Housing:** Polycarbonate, injection molded. Shatter resistant. Integral bosses retain diffuser without loose hardware.
- 3. Ballast:** Electronic; High power factor; Class P. See Electrical/Ballast.
- 4. Lamp:** 22W, T5, Circline, 2GX13 base (by others).
- 5. Lamp Socket:** Polycarbonate, 4-Pin, 2GX13 base.
- 6. Lamp Support Clip:** .020" thick, spring steel.
- 7. Trim Ring:** 16 gauge die formed aluminum. Brushed aluminum finish

### Mounting

Ceiling or wall (ADA compliant). Mounts to standard 4" outlet box.

### Options

- Shatter resistant polycarbonate diffuser. Add TP to end of catalog number.
- + Designates made to order only. Consult factory for lead times.

### Electrical/Ballast

	22W Lamp	
	120V	277V
Total Input Watts:	25	25
Max Line Current:	.22	.10
Power Factor:	>.98	>.98
Ballast Factor:	1.00	1.00
THD:	<10%	<10%
Min. Starting Temp:	0°F	0°F

### Labels

UL Listed. Suitable for damp locations.



Philips Lightolier  
e: lol.webmaster@philips.com  
t: (508) 679-8131  
w: www.lightolier.com

6706MS22UNY May 31, 2011

Specifications are subject to change without notice.  
© Koninklijke Philips Electronics N.V., 2011. All rights reserved.

Job Information Type: