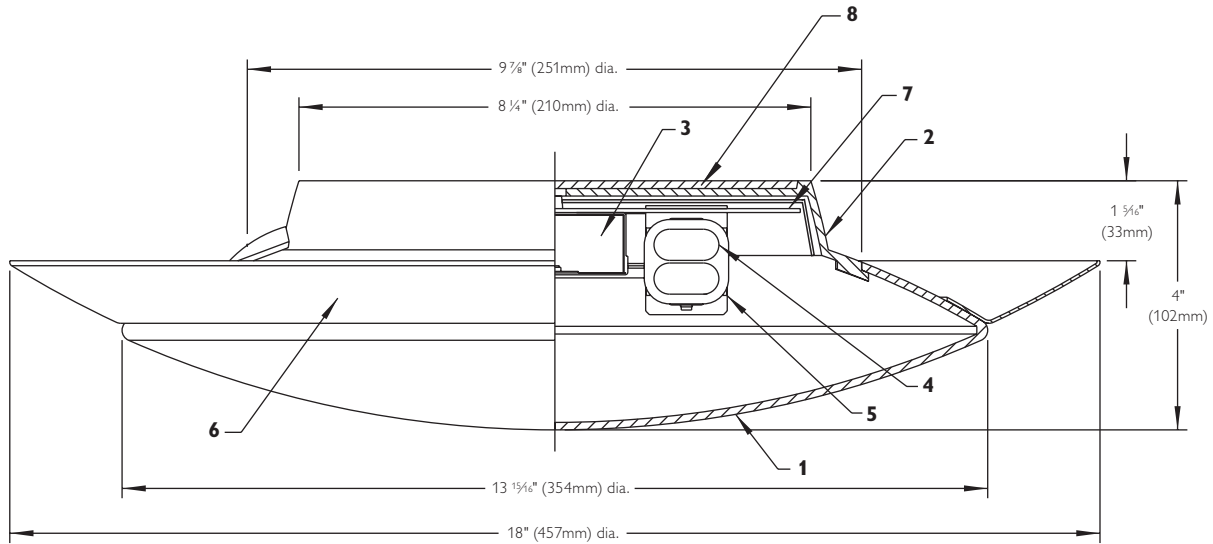


6706MS213UNY

Decorative, Discus, CFL, 2 Lt. 13W

Page 1 of 2



ADA Compliant

Ordering Information

Catalog Number	Finish	Wattage	Voltage	Lamping		
6706MS213UNY	matte silver	13W	120V/277V	General Electric	Osram/Sylvania	Philips
				TF13DBX/*/4P	CF13DD/E/*	PL-C13W/*/4P/ALTO

*Designates manufacturers' color temperature.

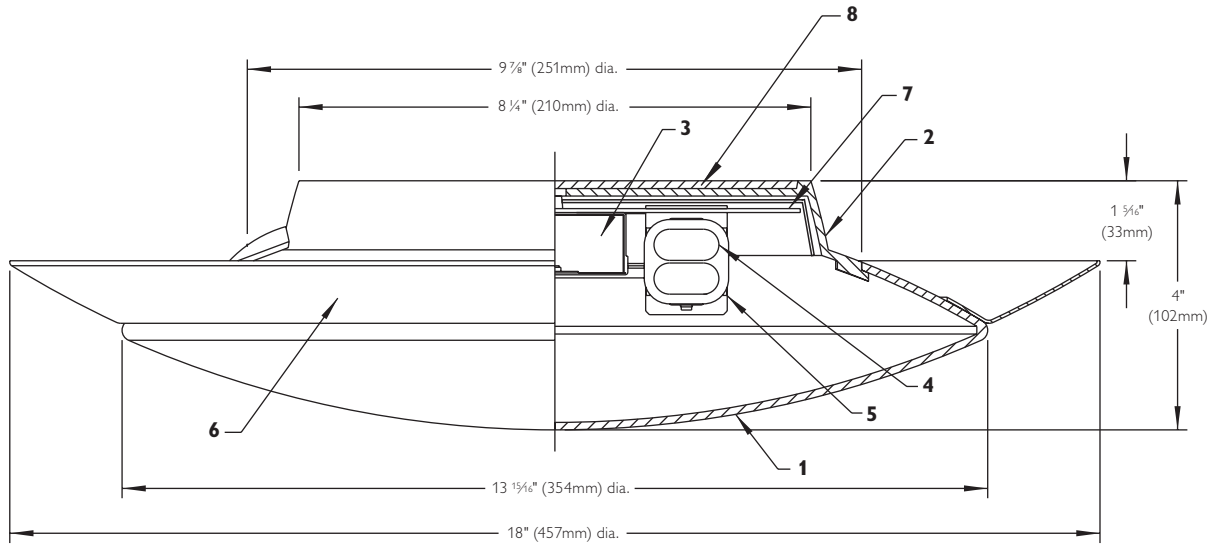
Job Information	Type:
Job Name:	
Cat. No.:	
Notes:	

PHILIPS
LIGHTOLIER

6706MS213UNY

Decorative, Discus, CFL, 2 Lt. 13W

Page 2 of 2



ADA Compliant

Features

- 1. Diffuser:** Acrylic, injection molded and bonded into one piece assembly; 0.12" minimum thickness; 70% light transmission. Lights evenly without discernible hot spots. Integral tabs provide "twist-lock" installation; no loose hardware, no tools required.
- 2. Housing:** Polycarbonate, injection molded. Shatter resistant. Integral bosses retain diffuser without loose hardware.
- 3. Ballast:** Electronic; High power factor; Class P. See Electrical/Ballast.
- 4. Lamp:** 13W Quad Tube, Compact Fluorescent (by others).
- 5. Lamp Socket:** Polycarbonate, 4-Pin, G24q-1 base.
- 6. Trim Ring:** 16 gauge die formed aluminum. Brushed aluminum finish
- 7. Liner Tray:** 20GA powder coated steel.
- 8. Cover Plate:** 20GA powder coated steel.

Mounting

Ceiling or wall (ADA compliant). Mounts to standard 4" outlet box.

Options

- Shatter resistant polycarbonate diffuser. Add TP to end of catalog number.
- + Designates made to order only. Consult factory for lead times.

Electrical/Ballast

	13W Lamp	
	120V	277V
Total Input Watts:	32	32
Max Line Current:	.27	.12
Power Factor:	>.98	>.98
Ballast Factor:	.98	.98
THD:	<10%	<10%
Min. Starting Temp:	0°F	0°F

Labels

UL Listed. Suitable for damp locations.
NY Calendar Number 44108.



Philips Lightolier
e: lol.webmaster@philips.com
t: (508) 679-8131
w: www.lightolier.com

6706MS213UNY May 31, 2011

Specifications are subject to change without notice.
© Koninklijke Philips Electronics N.V., 2011. All rights reserved.

Job Information Type: