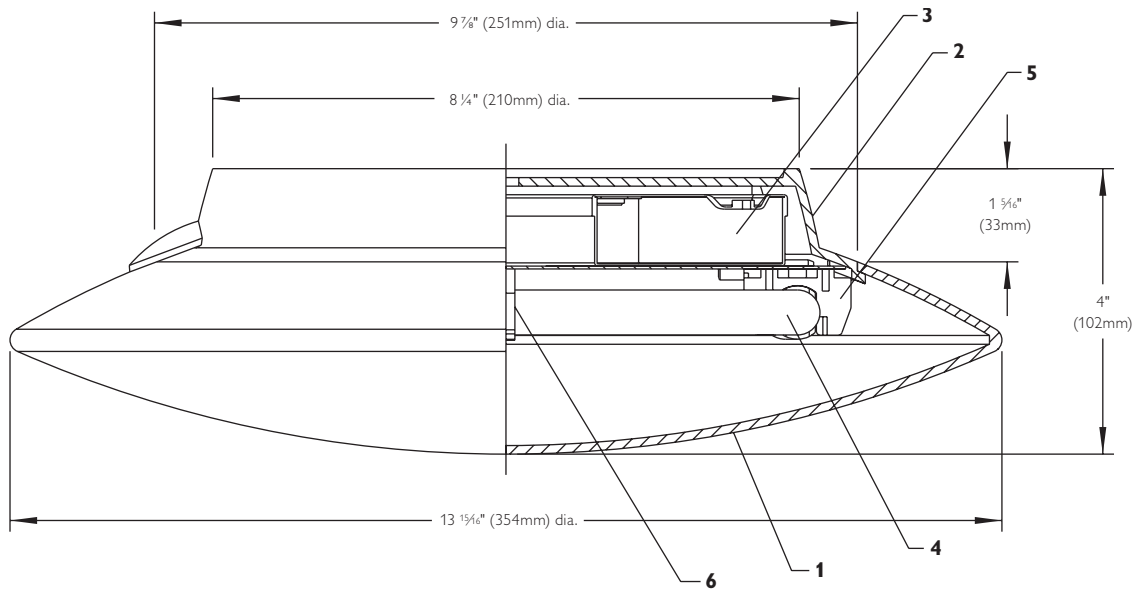


6700MS

Decorative, Discus, 2D CFL, 1 Lt. 28W or 38W



Ordering Information

Catalog Number	Finish	Wattage	Voltage	Lamping*
6700MS281	matte silver	28W	120V	F28/2D/827/4P (56941)
6700MS282		28W	277V	F28/2D/835/4P (56942)
6700MS381	matte silver	38W	120V	F38/2D/827/4P (56943)
6700MS382		38W	277V	F38/2D/835/4P (56944)

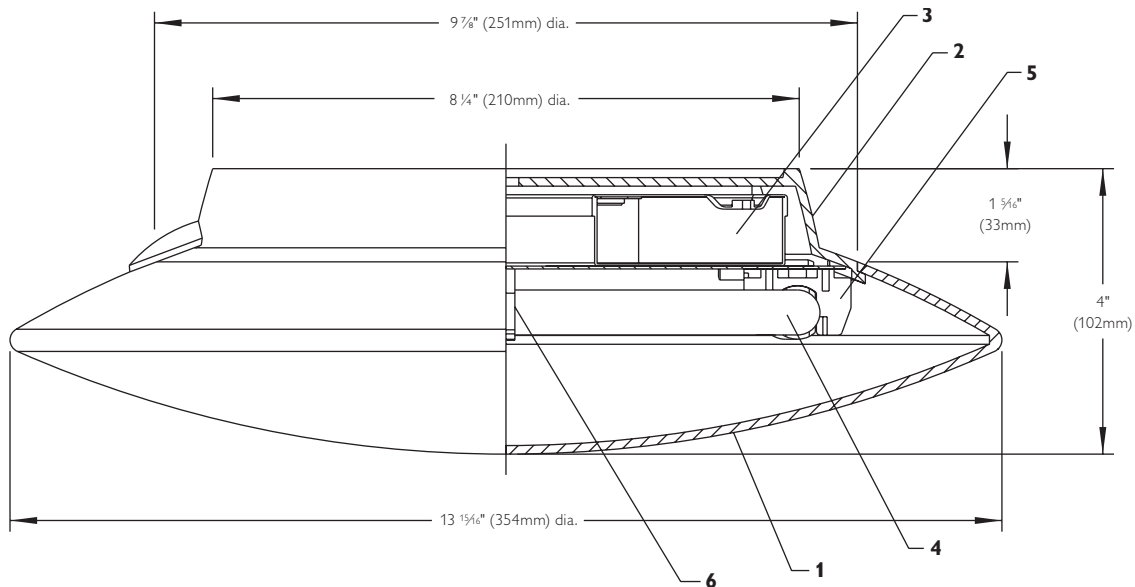
*Lightolier catalog numbers in parentheses

Job Information	Type:
Job Name:	
Cat. No.:	
Notes:	

PHILIPS
LIGHTOLIER

6700MS

Decorative, Discus, 2D CFL, 1 Lt. 28W or 38W



Features

- 1. Diffuser:** Acrylic, injection-molded and bonded into a one-piece assembly; 0.12" minimum thickness; 70% light transmission. Lights evenly, without discernible hot spots. Double convex shape illuminates wall, smooths the brightness gradient, increasing visual comfort. Shatter resistant. Integral tabs provide "twist-lock" installation; no loose hardware; no tools required.
 - 2. Housing:** Polycarbonate, injection-molded. Shatter resistant. Integral bosses retain diffuser without loose hardware. Tamper-proof fastener is optional. Matte silver enamel finish.
 - 3. Ballast:** Electronic; Class-P high power factor; full light output; low THD. Designed specifically for the 2D lamp. Satisfies ANSI C82.11 and FCC Part 18.
 - 4. Lamp:** Plug-in type, ultra-flat 2D compact fluorescent by General Electric. GR 10q-4 base. CRI cap of 82. Available in RE827 (2700°K) and RE835 (3500°K) phosphors. Average rated life: 10,000 hours at 3 hours per start.
- Finish:** Matte silver (MS), standard. Matte black (MB) and matte white (MW), optional. For custom colors, consult factory.
- Installation:** Ceiling or Wall (ADA compliant). Mounts to standard 3" or 4" outlet box; minimum 90°C supply leads.
- Optional:** Lexan® diffuser with tamperproof fastener: add suffix R to the catalog number.

Electrical

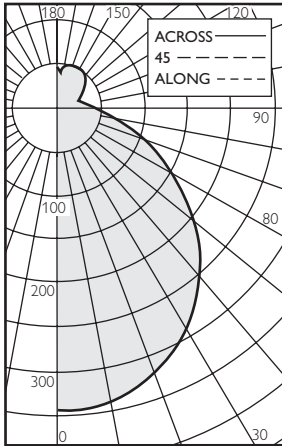
	28W Lamps		38W Lamps	
	120V	277V	120V	277V
Total Input Watts:	28W	28W	38W	38W
Max Line Current:	.26A	.11A	.35A	.15A
Power Factor:	>.98	>.98	>.98	>.98
Ballast Factor:	.95	.95	.95	.95
THD:	<10%	<10%	<10%	<10%
Lamp CCF:	<1.55	<1.55	<1.55	<1.55
Starting Temp:	0°F	0°F	0°F	0°F

Job Information Type:

PHILIPS
LIGHTOLIER

Decorative, Discus, 2D CFL, 1 Lt. 28W or 38W

Lightolier Decorative Fixture, Discus, 13 15/16" diameter acrylic diffuser, G.E. 38W 2D CFL Lamp,
Lumen Rating = 2850 Lumens, E.S. Ballast #E512D38120D (with heat sink), 120 VAC



Angle	Mean CP	LMS	Angle	Mean CP	Lumens
0	346		90	33	
5	345	33	95	27	30
10	340		100	24	
15	333	94	105	25	27
20	323		110	28	
25	311	144	115	32	32
30	296		120	36	
35	278	174	125	40	35
40	258		130	43	
45	237	183	135	47	36
50	213		140	50	
55	187	168	145	51	32
60	160		150	51	
65	133	132	155	51	24
70	107		160	52	
75	82	88	165	51	14
80	61		170	46	
85	45	50	175	40	4
90	33		180	43	

Zone	Lumens	%Lamp	%Luminaire
0-30	270	9.50	20.83
0-40	445	15.62	34.25
0-60	795	27.93	61.24
0-90	1066	37.41	82.02
40-90	620	21.79	47.77
60-90	270	9.48	20.78
90-180	233	8.20	17.98
0-180	1299	45.60	100.00

Efficiency = 45.6%

		% Effective Ceiling Cavity Reflectance - Effective Floor Cavity Reflectance = .20																
		80			70			50			30			10			0	
		RW	50	30	10	50	30	10	50	30	10	50	30	10	50	30	10	0
Room Cavity Ratio	1	.45	.43	.42	.44	.42	.40	.40	.39	.38	.37	.36	.35	.34	.33	.32	.31	
	2	.40	.37	.34	.38	.35	.33	.35	.33	.31	.33	.31	.29	.30	.29	.27	.26	
	3	.35	.31	.29	.34	.30	.28	.31	.29	.26	.29	.27	.25	.27	.25	.23	.22	
	4	.31	.27	.24	.30	.27	.24	.28	.25	.23	.26	.23	.22	.24	.22	.20	.19	
	5	.28	.24	.21	.27	.23	.20	.25	.22	.20	.23	.21	.19	.22	.19	.18	.17	
	6	.25	.21	.18	.24	.20	.18	.22	.19	.17	.21	.18	.16	.19	.17	.15	.14	
	7	.22	.18	.16	.21	.18	.15	.20	.17	.15	.19	.16	.14	.17	.15	.13	.12	
	8	.20	.16	.14	.19	.16	.13	.18	.15	.13	.17	.14	.12	.16	.14	.12	.11	
	9	.18	.15	.12	.18	.14	.12	.17	.14	.11	.16	.13	.11	.14	.12	.10	.09	
	10	.17	.13	.11	.16	.13	.10	.15	.12	.10	.14	.11	.10	.13	.11	.09	.08	

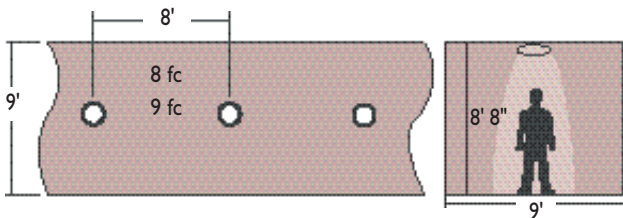
For 28W Units, multiply C.U.'s by 1.1

Certified Test Report
No: 0339FR
Computed by LSI Program
TEST-LITE

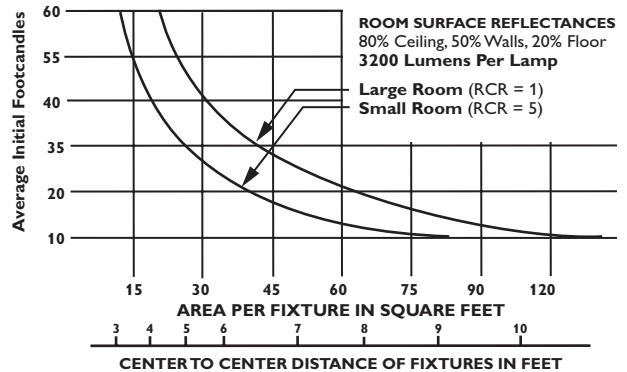
Date: July 10, 1997
Prepared for:
Lightolier
Fall River, MA

Tested according to IES procedures.
Test distance exceeds five times the
greatest luminous opening of luminaire.

Spacing Ratio = 1.3



Corridor
8700M8381
8 fc, average
0.5W/sf



Use quick calculator chart to determine the spacing of 38 Watt units for a desired level of illumination. For 28 Watt units, multiply C.U.'s by 1.1



Philips Lightolier
e: lol.webmaster@philips.com
t: (508) 679-8131
w: www.lightolier.com
6700MS May 24, 2011

Specifications are subject to change without notice.
© Koninklijke Philips Electronics N.V., 2011. All rights reserved.

Job Information Type: