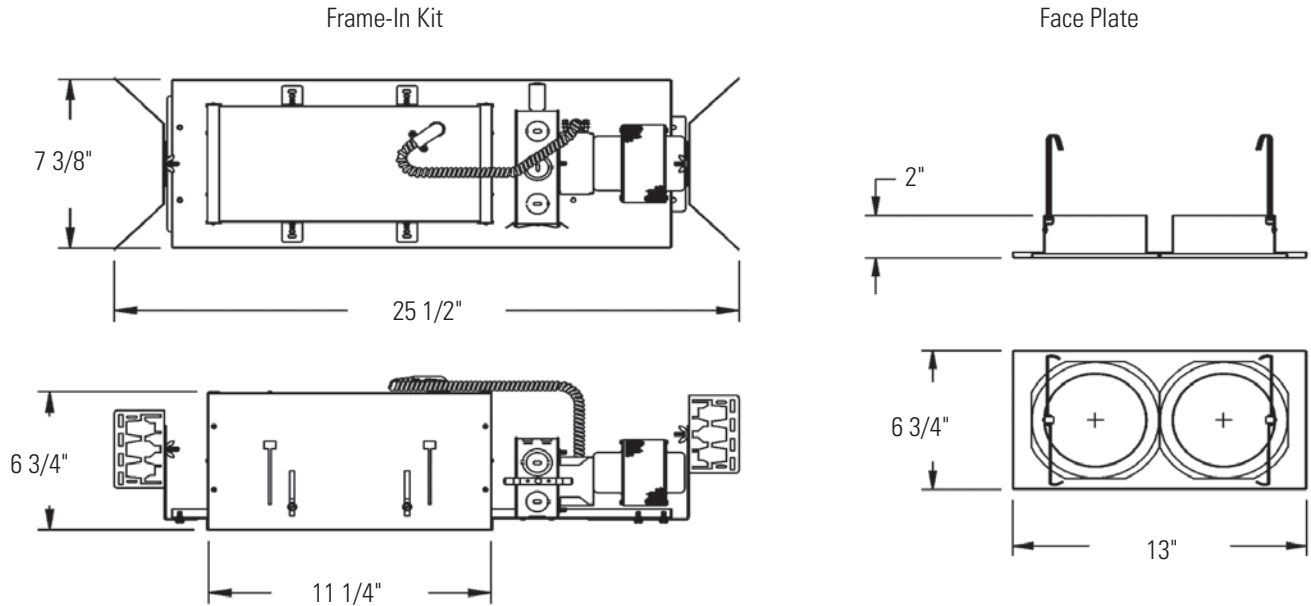


Lytecaster Recessed Downlighting **602MR**

Page 1 of 1 Recessed Linear Low Voltage 2 x MR16 Ceiling Opening: 5 3/8" (137mm) x 11 1/2" (292mm)



Complete fixture consists of Reflector Trim (2 needed), Frame-in Kit and Face Plate. Select each separately

Reflector Trim		Frame-In Kit	Face Plate	Lamp
404X series	Alzak Cones	602MR120	602WH	2 x 75W MR16
405X series	Painted Baffles	602MR277		2 x 75W MR16
406X series	Eyeball			2 x 75W MR16
409X series	Pinhole			2 x 65W MR16
413X series	Gimbal			2 x 75W MR16
478X series	Elbow			2 x 75W MR16

Features

- Housing / Plate:** Die-formed 20 ga. steel ; Black painted finish. Accommodates allceilings up to 2" thick. Adjustable from inside. Concealed wiring channel.
- Face Plate:** Die-formed 20 ga. steel with 1/4" (7mm) lip all around. Inner housing welded to face plate to accept 400 series trims. White painted finish.
- Torsionite Springs:** For easy installation of faceplate. Insures that face plate edges are snug to ceiling.
- Mounting Brackets:** 16 ga. steel. Use 18" (457mm) mounting bars(optional) or with standard 3/4" (19mm), 1-1/2" (38mm) lathing channels (by others) or 1/2" (13mm) tubing (by others). Adjust horizontally and vertically.
- Junction Box:** 14 ga. steel, 5" (127mm) x 3-1/2" (89mm) x 1 1/2" (38mm)deep box, allows inspection from below. CSA, US certified for through branch circuit wiring with maximum of 8 (#12ga.), 90° C conductors.
- Transformer:** Magnetic 150VA, 120/277/347 volt primary, nominal 12 voltsecondary, class "B".
- Thermal Protector:** Meets CSA/UL requirements. Insulation, if used, must be kept 3" away from luminaire sides and junction box. Do not cover top of luminaire.
- Socket:** Porcelain body ; Two-pin (GX5.3 base) Pre-wired with 18 ga. Teflon 250° leads to junction box.

Markings

CSA, US ; Certified for damp locations.

Accessories

- 1950** - 18" Mounting Bar
- 1951** - 31" Mounting Bar
- FA10251-WH** - Replacement Spacer Ring

Note

Magnetic transformers may produce audible sound which may be objectionable in acoustically critical areas. The use of dimmers can further amplify the sound levels.

Job Information

Type:

Job Name:

Cat. No.:

Lamp(s):

Notes:

Lightolier a Genlyte company www.lightolier.com
 631 Airport Road, Fall River, MA 02720 • (508) 679-8131 • Fax (508) 674-4710
 We reserve the right to change details of design, materials and finish.
 © 2011 Genlyte Group LLC • C0711

LIGHTOLIER®