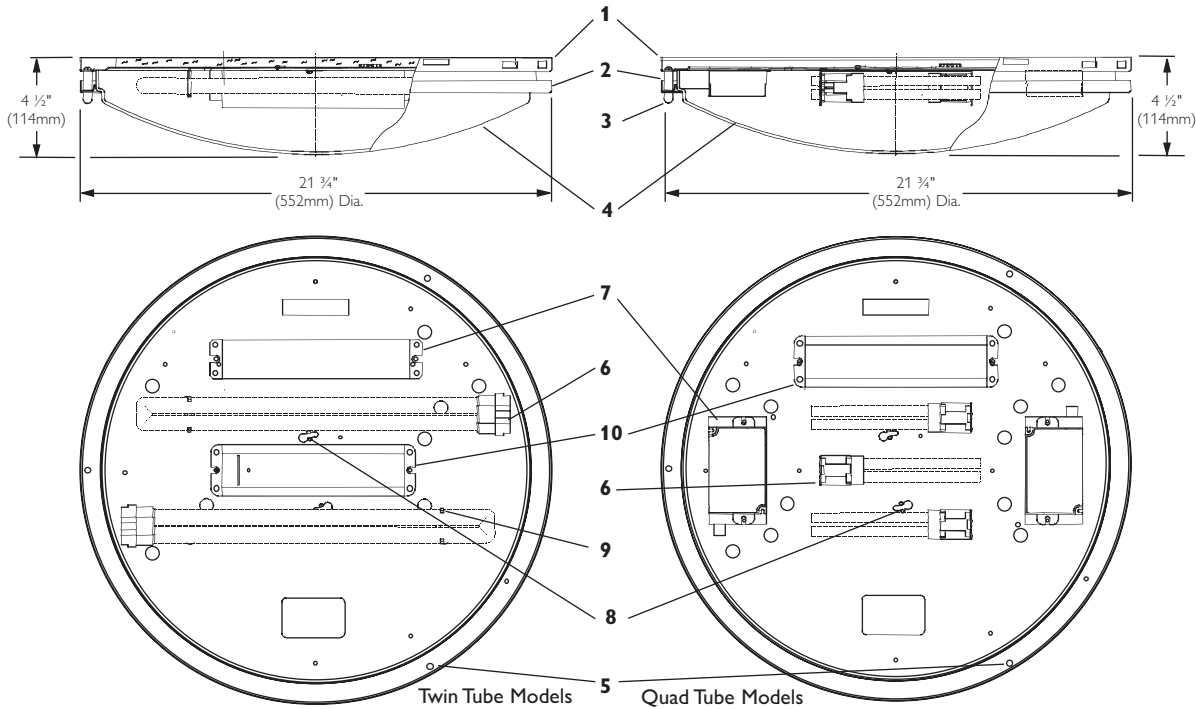


5543CFL

Decorative, Spill Ring, Ceiling/Wall Mounted CFL



Ordering Information:

Catalog No.	Diameter	Depth	Finish	Voltage	Lamps (by others)		
5543PB239U	21 3/4"	4 1/2"	polished brass	120/277V	(2) 36/39W Twin Tube 4-Pin Compact Fluorescent (2G11 base)		
5543SN239U			satin nickel		General Electric	Osram/Sylvania	Philips
5543WH239U			gloss white	120/277V	36W-39W F39/36BX/SPX*	FT36DL/*	PL-L36W/*
*Manufacturers' color temperature designation.							
5543PB326U	21 3/4"	4 1/2"	polished brass	120/277V	(3) 26W Quad Tube 4-Pin (G24q-3 base)		
5543SN326U			satin nickel	120/277V	General Electric	Osram/Sylvania	Philips
5543WH326U			gloss white	120/277V	36W-39W F39/36BX/SPX*	FT36DL/*	PL-L36W/*

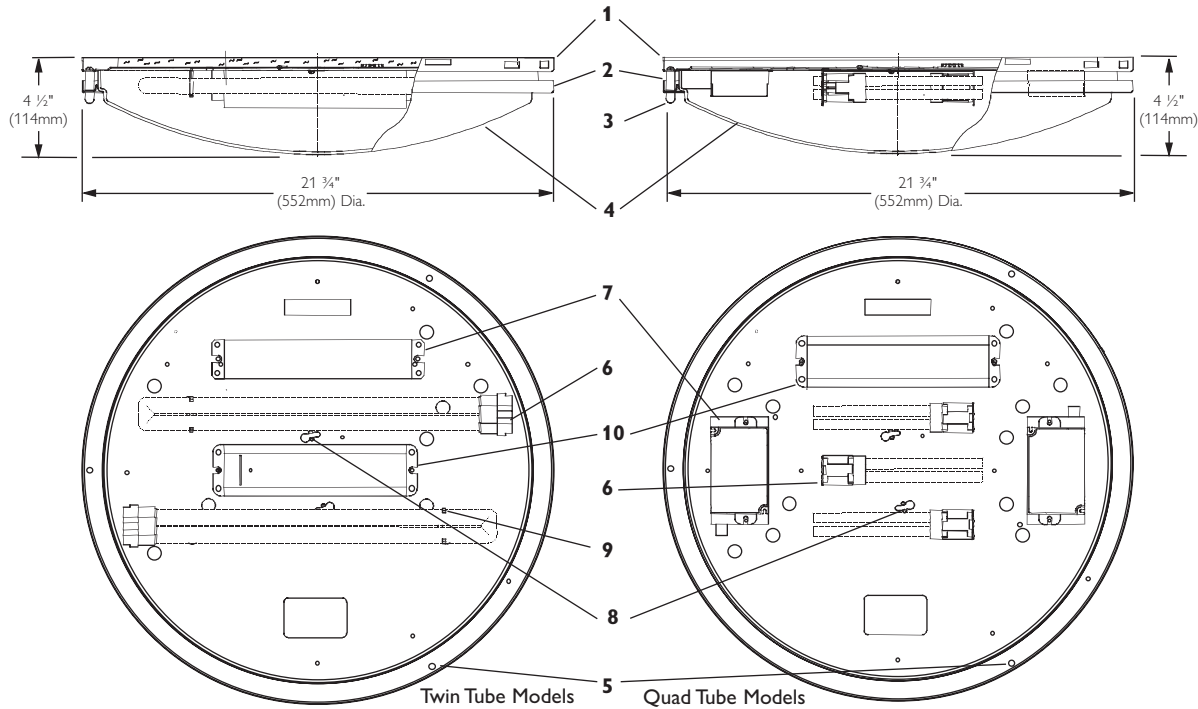
Job Information	Type:
Job Name:	
Cat. No.:	
Notes:	

PHILIPS
LIGHTOLIER

5543CFL

Decorative, Spill Ring, Ceiling/Wall Mounted CFL

Page 2 of 4



Features

1. **Ceiling Pan:** Die-formed 16 ga. aluminum.
2. **Trim Ring:** Formed 16 ga. aluminum.
3. **Knob:** (3) Turned brass.
4. **Diffuser:** Formed white translucent acrylic.
5. **Mounting Holes:** (3) $\frac{3}{16}$ " Dia., 120° apart on a 17½" dia. bolt circle.
6. **Lamp Socket:** See Lamps.
7. **Ballast:** See Electrical/Ballast
8. **Keyhole Mounting Slots:** (2) for direct mounting to 4" octagonal outlet box.
9. **Lamp Support Clip:** (2) on Twin Tube Series only.
- †10. **Emergency Lighting:** Add suffix E
(See Specification Sheet SU-EM)

Electrical/Ballast

	36/39W Electronic 120V	36/39W Electronic 277V	26W Electronic 120/277V
Total Input Watts	65	75	85
Max. Line Current (amps)	.51	.27	.73 / .34
Power Factor	>.98	>.98	>.98
Ballast Factor	1.12	1.09	1.0
THD	<10%	<10%	<10%
Min. Starting Temps.	-20°C (-4°F)	-20°C (-4°F)	-20°C (-4°F)

Labels

UL Listed, suitable for damp locations.

†UL Listed, (for indoor dry locations only).

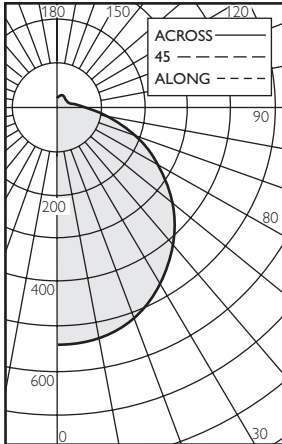
Job Information	Type:
------------------------	--------------

PHILIPS
LIGHTOLIER

5543CFL

Decorative, Spill Ring, Ceiling/Wall Mounted CFL

Catalog No. 5543PB239F1, Lightolier Surface Utility Fluorescent Spill Ring w/enclosed acrylic diffuser,
2-39W Dulux L Sylvania Lamps, 2900 Lumens, Robertson Ballast #RER2LT8-120H, 120VAC



Angle	Mean	Lumens	Angle	Mean	Lumens
0	534		95	46	52
5	532	51	100	35	
10	526		105	28	31
15	515	146	110	24	
20	501		115	24	25
25	484	224	120	25	
30	462		125	27	24
35	436	274	130	28	
40	407		135	28	22
45	375	290	140	28	
50	340		145	29	18
55	302	271	150	29	
60	262		155	29	14
65	222	222	160	29	
70	84		165	27	8
75	147	157	170	25	
80	114		175	23	3
85	86	95	180	24	
90	62				

Zonal Lumens and Percentages

Zone	Lumens	%Lamp	%Fixt
0-30	419	7.24	21.88
0-40	693	11.95	36.12
0-60	1253	21.61	65.33
0-90	1725	29.76	89.95
40-90	1032	17.81	53.82
60-90	472	8.14	24.62
90-180	192	3.33	10.05
0-180	1918	33.08	100.00

Efficiency = 33.1%

Coefficients Of Utilization - Zonal Cavity Method

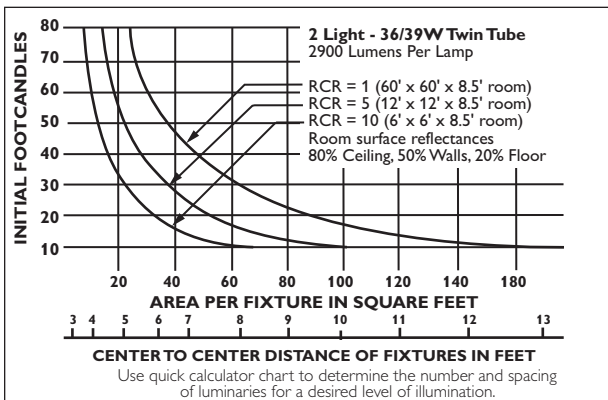
Effective Floor Cavity Reflectance = .20

Room Cavity Ratio	RC	80			70			50			30			10			0
		RWV			RWV			RWV			RWV			RWV			
		50	30	10	50	30	10	50	30	10	50	30	10	50	30	10	
1	.33	.32	.30	.32	.31	.30	.30	.29	.28	.28	.27	.27	.27	.26	.25	.24	
2	.29	.27	.25	.28	.26	.24	.26	.25	.23	.25	.23	.22	.23	.22	.21	.20	
3	.25	.23	.21	.25	.22	.20	.23	.21	.19	.22	.20	.19	.21	.19	.18	.17	
4	.23	.20	.18	.22	.19	.17	.21	.19	.17	.21	.18	.16	.19	.17	.16	.15	
5	.20	.17	.15	.20	.17	.15	.19	.16	.14	.18	.16	.14	.17	.15	.13	.13	
6	.18	.15	.13	.18	.15	.13	.17	.14	.12	.16	.14	.12	.15	.13	.12	.11	
7	.16	.13	.11	.16	.13	.11	.15	.12	.11	.14	.12	.10	.13	.12	.10	.09	
8	.15	.12	.10	.14	.12	.10	.14	.11	.09	.13	.11	.09	.12	.10	.09	.08	
9	.13	.11	.09	.13	.10	.09	.12	.10	.08	.12	.10	.08	.11	.09	.08	.07	
10	.12	.09	.08	.12	.09	.08	.11	.09	.07	.11	.09	.07	.10	.08	.07	.06	

Determined in accordance with current IES published procedures

Certified Test Report
No: 1082FR
Computed by LSI Program
TEST-LITE

Tested according to IES procedures.
Test distance exceeds five times the greatest luminous opening of luminaire.



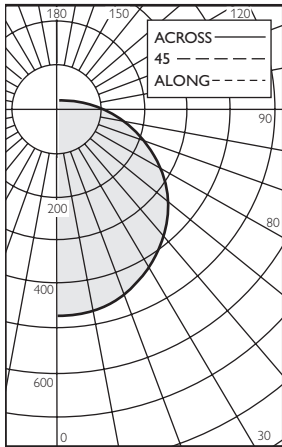
SPACING RATIO = 1.3

Job Information Type:



Decorative, Spill Ring, Ceiling/Wall Mounted CFL

Catalog No. 5543WH326U, Lightolier Surface Utility Fluorescent Spill Ring w/acrylic shallow dome diffuser,
3-26W Quad Tube GE Lamps, 1700 Lumens, 2-Robertson Ballasts #PSM226CQMWW, 120VAC



Angle	Mean	Lumens	Angle	Mean	Lumens
0	478		95	37	42
5	475	46	100	27	
10	469		105	21	24
15	460	131	110	18	
20	447		115	16	17
25	431	199	120	15	
30	411		125	14	13
35	388	244	130	12	
40	361		135	11	9
45	333	258	140	9	
50	302		145	8	6
55	268	240	150	8	
60	232		155	7	4
65	197	196	160	6	
70	162		165	5	2
75	128	137	170	4	
80	98		175	4	1
85	72	80	180	4	
90	50				

Zonal Lumens and Percentages

Zone	Lumens	%Lamp	%Fixt
0-30	374	7.34	22.85
0-40	617	12.11	37.68
0-60	1114	21.86	68.03
0-90	1526	29.93	93.16
40-90	909	17.83	55.49
60-90	411	8.08	25.14
90-180	112	2.20	6.84
0-180	1638	32.13	100.00

Efficiency = 32.1%

Coefficients Of Utilization - Zonal Cavity Method Effective Floor Cavity Reflectance = .20

	RC	80			70			50			30			10			0	
		RW	50	30	10	50	30	10	50	30	10	50	30	10	50	30	10	0
Room Cavity Ratio	1	.33	.31	.30	.32	.30	.29	.30	.29	.28	.28	.27	.27	.27	.26	.25	.25	
	2	.28	.26	.24	.28	.26	.24	.26	.24	.23	.25	.23	.22	.24	.22	.21	.21	
	3	.25	.22	.20	.24	.22	.20	.23	.21	.19	.22	.20	.19	.21	.19	.18	.17	
	4	.22	.19	.17	.22	.19	.17	.21	.18	.17	.20	.18	.16	.19	.17	.16	.15	
	5	.20	.17	.15	.19	.17	.15	.18	.16	.14	.18	.15	.14	.17	.15	.14	.13	
	6	.18	.15	.13	.17	.15	.13	.16	.14	.12	.16	.14	.12	.15	.13	.12	.11	
	7	.16	.13	.11	.15	.13	.11	.15	.12	.11	.14	.12	.10	.14	.12	.10	.10	
	8	.14	.12	.10	.14	.11	.10	.13	.11	.09	.13	.11	.09	.12	.10	.09	.08	
	9	.13	.10	.09	.13	.10	.08	.12	.10	.08	.12	.10	.08	.11	.09	.08	.07	
	10	.12	.09	.08	.12	.09	.07	.11	.09	.07	.11	.09	.07	.10	.08	.07	.06	

Determined in accordance with current IES published procedures

Certified Test Report

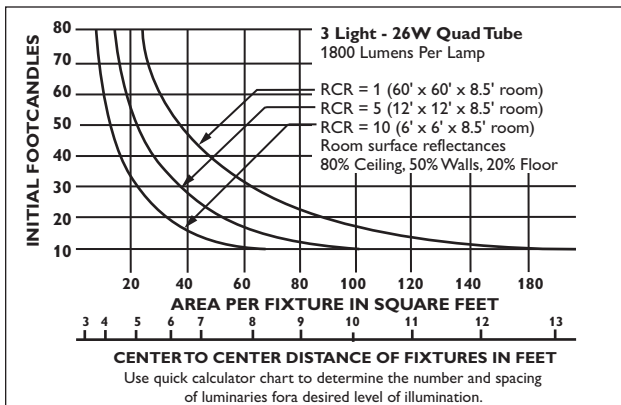
No: 0973FR

Computed by LSI Program

TEST-LITE

Tested according to IES procedures.

Test distance exceeds five times the greatest luminous opening of luminaire.



SPACING RATIO = 1.3



Philips Lightolier
e: lol.webmaster@philips.com
t: (508) 679-8131
w: www.lightolier.com

5543CFL May 31, 2011

Specifications are subject to change without notice.
© Koninklijke Philips Electronics N.V., 2011. All rights reserved.

Job Information Type: