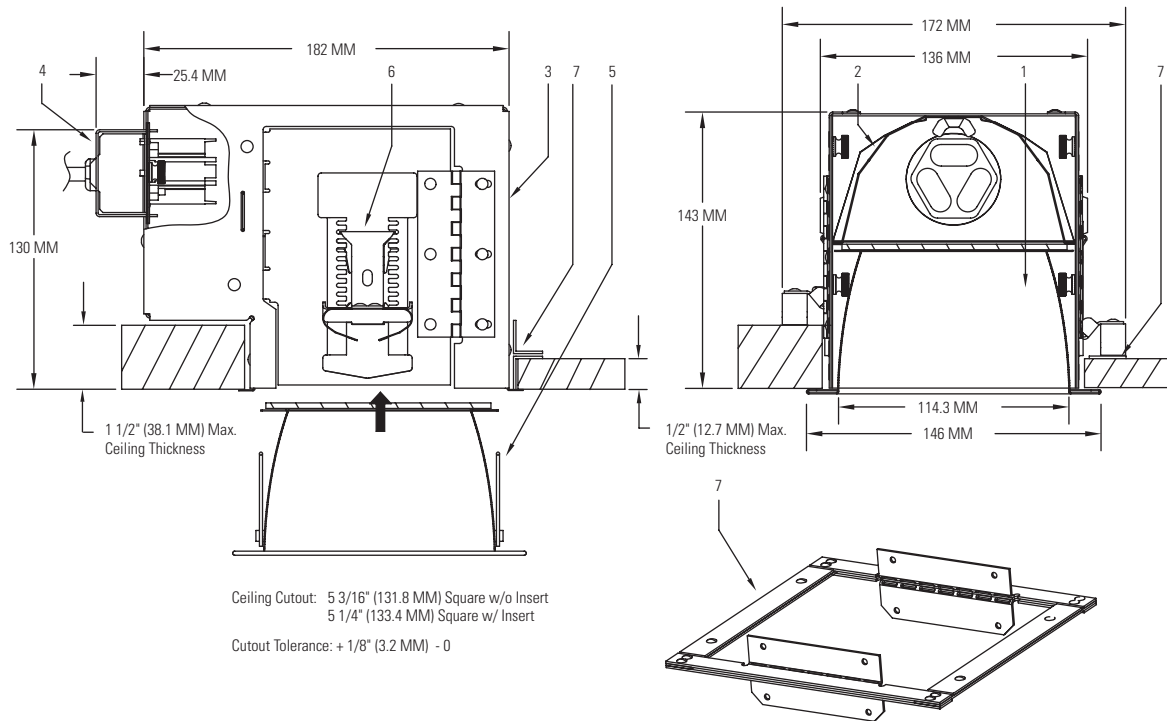


LIGHTOLIER® Calculite® Matrix® Lensed Downlight 4X4PLEXP

Page 1 of 2

114mm X 114mm Square Aperture, (1) 26/32W CFL, for Export



Ceiling Cutout: 5 3/16" (131.8 MM) Square w/o Insert
5 1/4" (133.4 MM) Square w/ Insert
Cutout Tolerance: + 1/8" (3.2 MM) - 0

Note: Complete unit consists of Reflector Trim, Frame and Gear Harness.

Trim Kits		Frame and Gear Harness				
Reflector Trims	Finish / Flange	Frame	Gear Harness	Ballast	Input Voltage	Lamping
4X4PLCLW	Specular Clear / White	4X4HEXP	MBKFEU26	Electronic	198-254V	TC-DEL / TC-TEL 26W
4X4PLCLP	Specular Clear / Polished		MBKFEU26-32	Electronic	198-254V	TC-DEL 26W / TC-TEL 26-32W
4X4PLCCLW	Comfort Clear / White		MLHACFL26-42	Not Included	n/a	TC-DEL 26W / TC-TEL 26-42W
4X4PLCCLP	Comfort Clear / Polished					GX24q-4 Base
4X4PLCCDW	Comfort Clear Diff. / White					
4X4PLCCDP	Comfort Clear Diff. / Polished					
4X4PLCCGP	Clear Corrugated / Self Flange					
4X4PLWHW	White / White					

Features

- Reflector Trim:** Pre-finished aluminum with low iridescence clear finish. 55° visual and reflected cutoff. Overlap flange accommodates different ceiling types. Precision mitered flange corners. Prismatic spread lens, 4mm (5/32") thick tempered glass.
- Upper Reflector:** High efficiency, 97%, Specular Clear.
- Housing:** 22 ga. galvanized formed steel. Centerline notches and holes for consistent alignment of multiple fixtures. Accommodates ceilings up to 38mm (1 1/2") thick.
- Gear Harness Assembly:** Integral lamp holder and wire assembly; Removable from below via two finger nuts to access ballast/gear equipment. Available with and without ballast (see catalog numbers above). SOLD SEPARATELY.
- Torsionite Springs:** Precision-tooled steel springs secure reflector trim to housing for quick tool-less installation. Positive tension holds flange tight against ceiling.
- Finger Spring Assembly:** Spring loaded notched track style mechanism allows rapid installation on each side of the luminaire with one finger for most applications.
- Insert:** Reinforcement bracket assembly; Prevents damage to ceiling or ceiling tile from forces due to spring load/foot stop interaction. Designed to accommodate 16mm (5/8") or 19mm (3/4") thick ceilings. Insert is REQUIRED for grid ceiling systems and optional for plaster or gypsum ceilings. Catalog Number: 4X4INSERT

Options & Accessories

4X4INSERT: Reinforcement bracket; Required for grid ceilings, optional for plaster and gypsum ceilings

Certifications and Ratings



Job Information

Type:

Job Name:

Cat. No.:

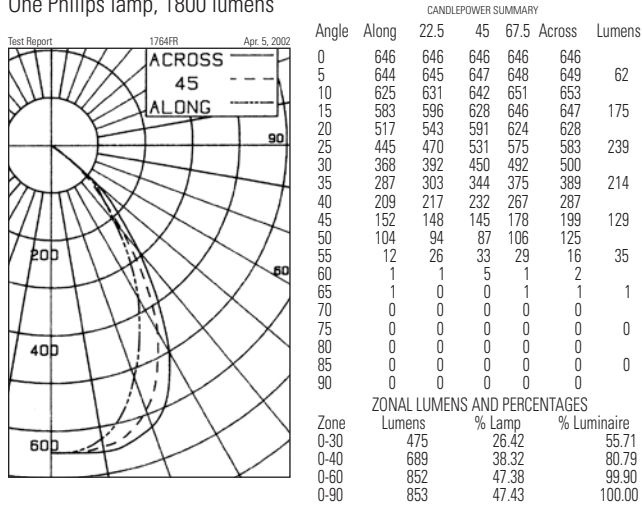
Lamp(s):

Notes:

631 Airport Road, Fall River, MA 02720 • (508) 679-8131 • Fax (508) 674-4710
We reserve the right to change details of design, materials and finish.
www.lightolier.com © 2009 Philips Group • A0209

26W Triple Tube, Specular Clear Reflector Trim

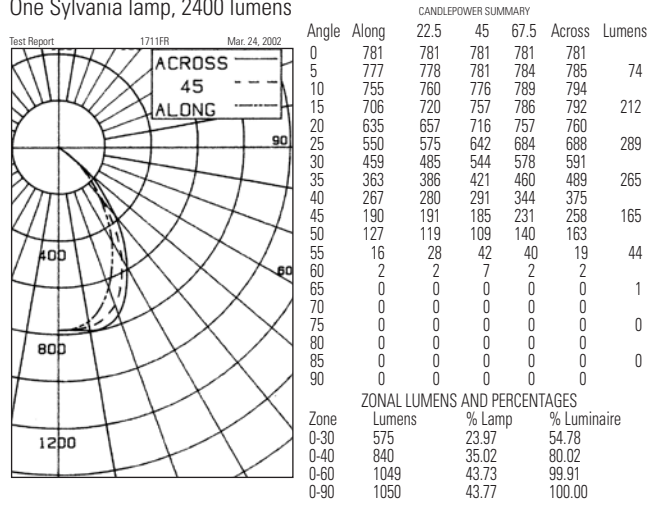
One Philips lamp, 1800 lumens



EFFICIENCY = 47.4% Spacing Criterion: Along = 1.0 Across = 1.2

32W Triple Tube, Specular Clear Reflector Trim

One Sylvania lamp, 2400 lumens



EFFICIENCY = 43.8% Spacing Criterion: Along = 1.0 Across = 1.1

CU	% Effective Ceiling Cavity Reflectance																	
	80			70			50			30			10			0		
1	.53	.52	.51	.52	.51	.50	.50	.49	.48	.48	.47	.47	.46	.46	.45	.45		
2	.49	.48	.46	.48	.47	.45	.47	.46	.44	.46	.44	.43	.44	.43	.43	.42		
3	.46	.44	.42	.45	.43	.42	.44	.42	.41	.43	.42	.40	.42	.41	.40	.39		
4	.43	.41	.39	.43	.40	.38	.41	.39	.38	.41	.39	.37	.40	.38	.37	.36		
5	.40	.37	.35	.40	.37	.35	.39	.37	.35	.38	.36	.35	.37	.36	.34	.34		
6	.38	.35	.33	.37	.34	.33	.36	.34	.32	.36	.34	.32	.35	.33	.32	.31		
7	.35	.32	.30	.35	.32	.30	.34	.31	.30	.33	.31	.29	.33	.31	.29	.29		
8	.32	.30	.28	.32	.29	.27	.32	.29	.27	.31	.29	.27	.31	.29	.27	.26		
9	.30	.27	.25	.30	.27	.25	.29	.27	.25	.29	.27	.25	.29	.26	.25	.24		
10	.28	.25	.23	.28	.25	.23	.27	.25	.23	.27	.25	.23	.27	.25	.23	.22		

20% Floor Cavity Reflectance

CU	% Effective Ceiling Cavity Reflectance																	
	80			70			50			30			10			0		
1	.49	.48	.47	.48	.47	.46	.46	.45	.44	.44	.44	.43	.43	.42	.42	.41		
2	.45	.44	.42	.45	.43	.42	.43	.42	.41	.42	.41	.40	.41	.40	.39	.38		
3	.42	.40	.39	.42	.40	.38	.41	.39	.38	.40	.38	.37	.39	.37	.36	.36		
4	.40	.37	.35	.39	.37	.35	.38	.36	.35	.37	.36	.34	.36	.35	.34	.33		
5	.37	.34	.32	.36	.34	.32	.36	.34	.32	.35	.33	.32	.34	.33	.31	.31		
6	.34	.32	.30	.34	.32	.30	.33	.31	.30	.33	.31	.29	.32	.31	.29	.29		
7	.32	.29	.28	.32	.29	.27	.31	.29	.27	.31	.28	.27	.30	.28	.27	.26		
8	.30	.27	.25	.29	.27	.25	.29	.27	.25	.29	.26	.25	.28	.26	.25	.24		
9	.28	.25	.23	.27	.25	.23	.27	.25	.23	.27	.24	.23	.26	.24	.23	.22		
10	.26	.23	.21	.25	.23	.21	.25	.23	.21	.25	.22	.21	.24	.22	.21	.20		

20% Floor Cavity Reflectance

Based on specular clear (CL) finish. To estimate other finishes, multiply candelas and CU values by 0.95 for CCL, by 0.90 for CCD.

Job Information Type:

631 Airport Road, Fall River, MA 02720 • (508) 679-8131 • Fax (508) 674-4710
 We reserve the right to change details of design, materials and finish.
 www.lightolier.com © 2009 Philips Group • A0209