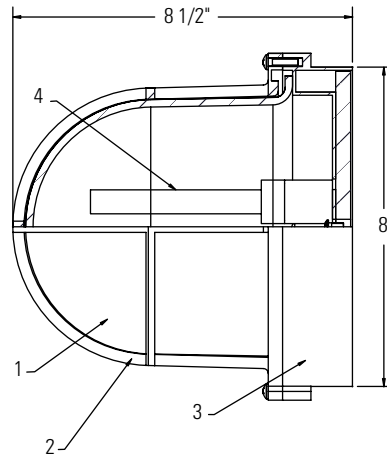


Incandescent Model



Twin Tube Model

Ordering Information:

Cat. No.	Diameter	Extension	Finish	Voltage	Lamps (by others)	
4815BK	8 11/16"	8 1/2"	Black	120V	(1) 100W A19 MAX.	
4839WH	8 11/16"	8 1/2"	White	120V	(1) 100W A19 MAX.	
4817BK	8 11/16"	8 1/2"	Black	120V	(2) 9W Twin 2-pin (G23 base)	General Electric Osram/Sylvania Philips F9BX/SPX/* CF90S/* PLS9W/* <small>*Manufactures color temperature designation.</small>
4841WH	8 11/16"	8 1/2"	White	120V	(2) 9W Twin 2-pin (G23 base)	

Features

- 1. Diffuser:** Pressed ceramic coated glass.
- 2. Diffuser Housing:** Die-cast aluminum guard.
- 3. Backplate:** 11 ga. aluminum.
- 4. Lamp:** See Lamps.
- 5. Ballast:** See Electrical/Ballast.

Electrical/Ballast

	9W NPF 120V
Total Input Watts	20
Max. Line Current (amps)	.36
Ballast Factor	.90
THD	< 20%
Min. Starting Temperature	-4°C (-25°F)

Mounting

Wall Mount only to standard 4" octagonal outlet box.

Labels

UL Listed. Suitable for Wet Locations.

Job Information

Type:

Job Name:

Cat. No.:

Lamp(s):

Notes:

Lightolier a Genlyte company www.lightolier.com
 631 Airport Road, Fall River, MA 02720 • (508) 679-8131 • Fax (508) 674-4710
 We reserve the right to change details of design, materials and finish.
 © 2005 Genlyte Group LLC • A0805