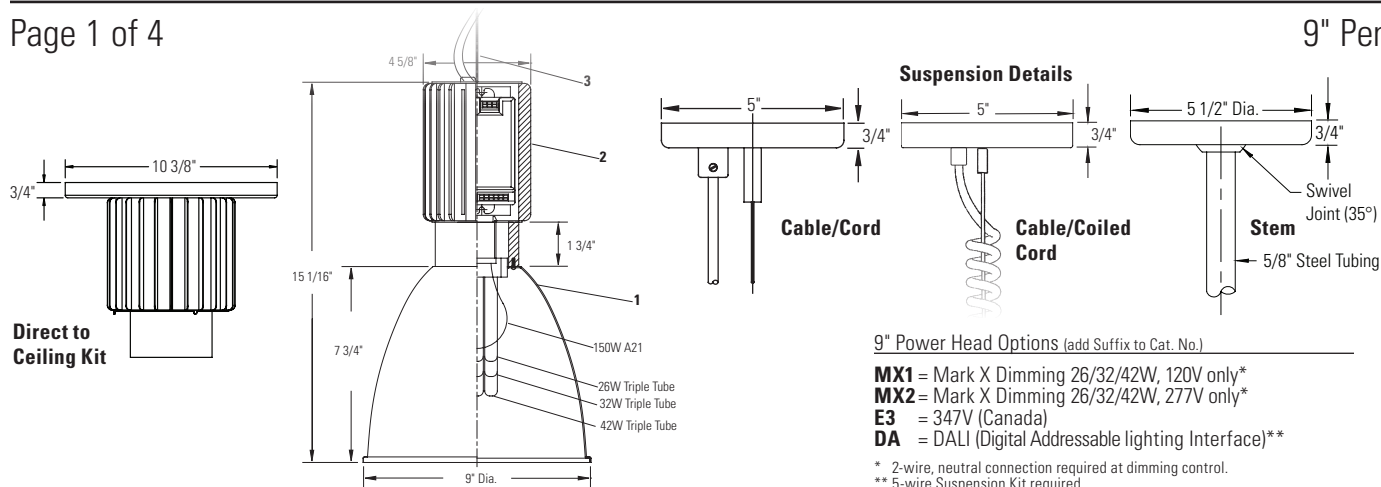


Specification Decorative Pendalyte 40471U

9" Pendant

Page 1 of 4



Complete Unit Consists of: Power Head, Reflector & Suspension (order each separately)
 Power Head Finish: Powder Coated Textured Dark Grey or Titanium

Cat. No.	Color	Lamp	Watts	Volts	Options
4046151	Grey	Incandescent A21	150	120	Not App.
4046151TM	Titanium	Incandescent A21	150	120	Not App.
40471U3	Grey	CFL Triple Tube	26/32/42	120/277	MX1, MX2, DA, E3
40471U3TM	Titanium	CFL Triple Tube	26/32/42	120/277	MX1, MX2, DA, E3
40471T39EU	Grey	CMH T6 G12 Base	39	120/277	N/A
40471T39EUTM	Titanium	CMH T6 G12 Base	39	120/277	N/A

Note: for CFL unit with integrated Emergency Battery Pack (EM) Option refer to Spec Sheet number P-EM for Cat. No. ordering guide and specification data
 Remove U or U3 from Cat. No. and add Suffix

Suspension

Cat. No.	Color	Description
404SKG	Grey	Cable/Straight Cord 120" Length
404SKB	Black	Cable/Straight Cord 120" Length
404S36	Grey	36" Length 5/8" Stem
404S36B	Black	36" Length 5/8" Stem
404S60	Grey	60" Length 5/8" Stem
404S60B	Black	60" Length 5/8" Stem
404S120	Grey	120" Length 5/8" Stem
4912CTCGR	Grey	Direct to Ceiling Kit, Std. 9" Pendalyte
4912CTCTM	Titanium	Direct to Ceiling Kit, Std. 9" Pendalyte

9" Power Head Options (add Suffix to Cat. No.)

- MX1** = Mark X Dimming 26/32/42W, 120V only*
- MX2** = Mark X Dimming 26/32/42W, 277V only*
- E3** = 347V (Canada)
- DA** = DALI (Digital Addressable lighting Interface)**

* 2-wire, neutral connection required at dimming control.
 ** 5-wire Suspension Kit required.

Reflector/Glass Shade

Cat. No.	Description
40411	Semi Specular Anodized Reflector
40413	Satin & Anodized Reflector
409WH	White Glass Shade
409BL	Cobalt Blue Glass Shade
409AB	Amber Glass Shade

Optional Extension Kits

Cat. No.	Color	Description
404EXT300*	Grey	25' Straight Cable/Cord Extension Kit
404EXTB*	Black	25' Straight Cable/Cord Extension Kit
404SG5**	Grey	120" 5-wire Straight Cord
404SB5**	Black	120" 5-wire Straight Cord
404EXT300G5**	Grey	5-wire, 25' Cord/Cable
404EXT300B5**	Black	5-wire, 25' Cord/Cable

* Use with Standard Cord or Deco Suspension Kits
 ** DALI requires a 5-wire Suspension

Features

- Reflector:** 16 gauge high purity anodized aluminum or pressed colored glass with inner white frit.
- Power Head Housing:** Two-piece extruded aluminum. Removable door allows for ease of installation and servicing. Dark Grey or Titanium baked enamel powder coat finish.
- Suspension:** Cable/Cord: 1/16" Stainless Steel/SJT 18-3, Grey or Black. Cable/Coiled Cord: 1/16" Stainless Steel/SJT 18-3, Grey or Black. Stem: 5/8" Steel Tubing and Canopy, with 35° swivel hanger, Grey or Black finish.

Lamping (by others)

Incandescent: 150W max. A-21

Compact Fluorescent:

General Electric	Osram/Sylvania	Philips
(1) 26W Triple Tube 4-Pin (Amalgam) Compact Fluorescent Lamp F26TBX/*A/4P	CF26DT/E/IN/*	PL-T26W/*/4P
(1) 32W Triple Tube 4-Pin (Amalgam) Compact Fluorescent Lamp F32TBX/*A/4P	CF32DT/E/IN/*	PL-T32W/*/4P
(-1) 42W Triple Tube 4-Pin (Amalgam) Compact Fluorescent Lamp F42TBX/*A/4P	CF42DT/E/IN/*	PL-T42W/*/4P

*Manufacturers color temperature designation

Electrical

Lampholders: Incandescent: Medium Base, Porcelain, Nickel Plated Screw-Shell Compact
 Fluorescent: 4-Pin, 26/32 watt base: GX24q-3; 42 watt base: GX24q-4

Electrical (continued)

Ballasts: Fluorescent: Electronic

	26 Watt		32 Watt		42 Watt	
Voltage	120	277	120	277	120	277
Total Input Watts	-26	-26	-36	-36	-47	-47
Max. Line Current (Amps)	.22	.09	.30	.09	.39	.17

Power Factor > 0.98, Ballast Factor 0.98, THD < 10%,
 Minimum Starting Temperature 0°F

Labels

cULus Listed. Suitable for Damp Locations.

Job Information	Type:
Job Name:	
Cat. No.:	
Lamp(s):	
Notes:	

Application Data

Multiple Units (32W Triple Tube CFL)			
Spacing on Center	Height to Lighted Plane	Initial Foot-candles	Watts Per Sq. Ft.
6'	6' 12'	53 46	1.00
8'	6' 12'	30 26	0.56
10'	6' 12'	19 17	0.36

Illuminance (FC) Multipliers	
For Incandescent:	
100W = 0.7	
150W = 1.2	
For Compact Fluorescent:	
26W = 0.7	
42W = 1.3	

Multiple Units (32W Triple Tube CFL)			
Spacing on Center	Height to Lighted Plane	Initial Foot-candles	Watts Per Sq. Ft.
6'	6' 12'	18 16	1.00
8'	6' 12'	10 9	0.56
10'	6' 12'	7 6	0.36

Illuminance (FC) Multipliers	
For Incandescent:	
100W = 0.7	
150W = 1.2	
For Compact Fluorescent:	
26W = 0.7	
42W = 1.3	

Based on 60" x 60" room with 80% ceiling cavity, 50% wall and 20% floor reflectances. Height is from bottom of fixture to lighted plane.

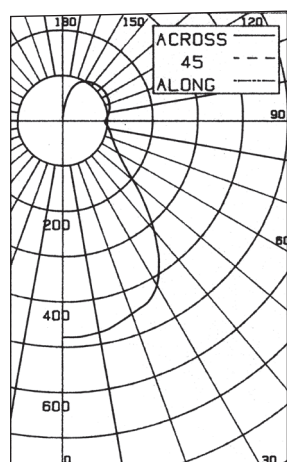
Based on 60" x 60" room with 80% ceiling cavity, 50% wall and 20% floor reflectances. Height is from bottom of fixture to lighted plane.

Spacing Ratio = 1.9

32W Triple Tube CFL

CERTIFIED TEST REPORT NO. 1416FR
COMPUTED BY LSI PROGRAM **TEST-LITE**

LIGHTOLIER COMPACT FLUORESCENT PENDANT FIXTURE CAT. #4167U3CCWH
9" DIA. WHITE GLASS REFLECTOR
1-32W PLT TRIPLE TUBE PHILIPS LAMP. LUMEN RATING = 2400 LMS.
MAGNETEK BALLAST CAT. #C2642UNVSE



CANDLEPOWER SUMMARY					
ANGLE	MEAN CP	LMS.	ANGLE	MEAN CP	LMS.
0	478		90	94	
5	478	46	95	99	108
10	474		100	104	
15	465	132	105	108	114
20	453		110	110	
25	444	204	115	112	111
30	419		120	113	
35	373	232	125	113	101
40	315		130	112	
45	256	199	135	110	85
50	202		140	107	
55	164	150	145	104	65
60	142		150	99	
65	127	127	155	94	43
70	117		160	85	
75	110	116	165	70	19
80	104		170	46	
85	97	107	175	20	2
90	94		180	8	

ZONAL LUMENS AND PERCENTAGES			
ZONE	LUMENS	% LAMP	% LUMINAIRE
0-30	380	15.86	19.41
0-40	612	25.54	31.25
0-60	962	40.12	49.08
0-90	1313	54.73	66.95
40-90	700	29.19	35.71
60-90	350	14.61	17.88
90-180	648	27.01	33.05
0-180	1961	81.74	100.00

** EFFICIENCY = 81.7% **

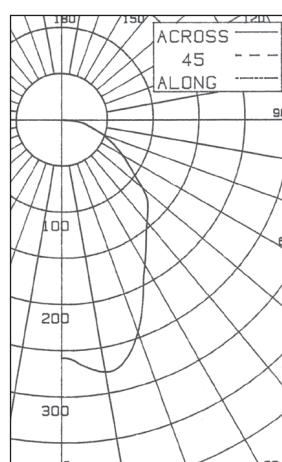
PREPARED FOR:
LIGHTOLIER
FALL RIVER, MA
DATE: MAY 8, 2001

Spacing Ratio = 1.9

32W Triple Tube CFL

CERTIFIED TEST REPORT NO. 1419FR
COMPUTED BY LSI PROGRAM **TEST-LITE**

LIGHTOLIER COMPACT FLUORESCENT PENDANT FIXTURE CAT. #4187U3CCWH
9" DIA. BLUE GLASS REFLECTOR, 12" ETCHED ACRYLIC DISK, 4" APERTURE
1-32W PLT TRIPLE TUBE PHILIPS LAMP. LUMEN RATING = 2400 LMS.
MAGNETEK BALLAST CAT. #C2642UNVSE



CANDLEPOWER SUMMARY		
ANGLE	MEAN CP	LMS.
0	258	
5	267	25
10	277	
15	269	75
20	244	
25	211	98
30	182	
35	161	102
40	145	
45	133	102
50	115	
55	92	84
60	76	
65	62	62
70	49	
75	35	38
80	25	
85	14	15
90	2	

ZONAL LUMENS AND PERCENTAGES			
ZONE	LUMENS	% LAMP	% LUMINAIRE
0-30	198	8.27	33.04
0-40	300	12.52	50.00
0-60	486	20.27	80.93
0-90	601	25.05	100.00
40-90	300	12.52	50.00
60-90	114	4.78	19.07
90-180	0	.00	.00
0-180	601	25.05	100.00

** EFFICIENCY = 25.0% **

PREPARED FOR:
LIGHTOLIER
FALL RIVER, MA
DATE: MAY 8, 2001

Coefficients Of Utilization

32W Triple Tube CFL

% EFFECTIVE CEILING CAVITY REFLECTANCE

ROOM CAVITY RATIO	% WALL REFLECTION																	
	80			70			50			30			10			0		
	50	30	10	50	30	10	50	30	10	50	30	10	50	30	10	50	30	10
1	77	73	70	73	69	66	64	62	59	57	55	53	49	48	47	43		
2	67	62	57	63	58	54	56	52	49	49	46	44	43	41	39	36		
3	59	53	48	56	50	45	50	45	41	44	40	37	38	36	33	30		
4	53	46	40	50	44	39	44	39	35	39	35	32	35	31	29	26		
5	47	40	35	45	38	34	40	35	31	35	31	28	31	28	25	23		
6	42	36	31	40	34	29	36	31	27	32	28	25	29	25	22	20		
7	39	32	27	37	30	26	33	28	24	29	25	22	26	23	20	18		
8	35	29	24	33	27	23	30	25	21	27	23	20	24	21	18	16		
9	32	26	22	31	25	21	28	23	19	25	21	18	22	19	16	15		
10	30	24	19	28	23	19	26	21	18	23	19	16	21	17	15	13		

20% FLOOR CAVITY REFLECTANCE

TESTED ACCORDING TO IES PROCEDURE. TEST DISTANCE EXCEEDS FIVE TIMES THE GREATEST LUMINOUS OPENING OF LUMINAIRE

Coefficients Of Utilization

32W Triple Tube CFL

% EFFECTIVE CEILING CAVITY REFLECTANCE

ROOM CAVITY RATIO	% WALL REFLECTION																																			
	80						70						50						30						10						0					
	50	30	10	50	30	10	50	30	10	50	30	10	50	30	10	50	30	10	50	30	10	50	30	10	50	30	10	50	30	10						
1	.27	.26	.25	.26	.25	.24	.25	.24	.24	.24	.23	.23	.23	.23	.23	.22	.22	.22	.22	.22	.22	.22	.22	.22	.22	.22	.22	.22	.22							
2	.24	.22	.21	.23	.22	.21	.22	.21	.20	.22	.21	.20	.22	.21	.20	.21	.20	.19	.19	.19	.19	.19	.19	.19	.19	.19	.19	.19	.19							
3	.21	.19	.18	.21	.19	.18	.20	.19	.17	.19	.18	.17	.19	.18	.17	.18	.17	.17	.17	.17	.17	.17	.17	.17	.17	.17	.17	.17	.16							
4	.19	.17	.16	.19	.17	.16	.18	.17	.15	.18	.17	.15	.18	.16	.15	.17	.16	.15	.15	.15	.15	.15	.15	.15	.15	.15	.15	.15	.14							
5	.17	.15	.14	.17	.15	.14	.16	.15	.13	.16	.15	.13	.16	.14	.13	.16	.14	.13	.13	.13	.13	.13	.13	.13	.13	.13	.13	.13	.13							
6	.16	.14	.12	.15	.13	.12	.15	.13	.12	.15	.13	.12	.15	.13	.12	.14	.13	.12	.12	.12	.12	.12	.12	.12	.12	.12	.12	.12	.11							
7	.14	.12	.11	.14	.12	.11	.14	.12	.11	.14	.12	.11	.14	.12	.11	.13	.12	.10	.10	.10	.10	.10	.10	.10	.10	.10	.10	.10	.10							
8	.13	.11	.10	.13	.11	.10	.13	.11	.10	.13	.11	.10	.13	.11	.10	.12	.11	.09	.09	.09	.09	.09	.09	.09	.09	.09	.09	.09	.09							
9	.12	.10	.09	.12	.10	.09	.11	.10	.09	.11	.10	.09	.11	.10	.09	.11	.10	.08	.08	.08	.08	.08	.08	.08	.08	.08	.08	.08	.08							
10	.11	.09	.08	.11	.09	.08	.11	.09	.08	.11	.09	.08	.11	.09	.08	.10	.09	.08	.08	.08	.08	.08	.08	.08	.08	.08	.08	.08	.07							

20% FLOOR CAVITY REFLECTANCE

Job Information **Type:**

Application Data

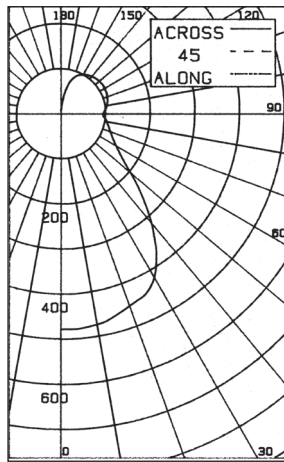
Multiple Units (32W Triple Tube CFL)			
Spacing on Center	Height to Lighted Plane	Initial Foot-candles	Watts Per Sq. Ft.
6'	6' 12'	23 21	1.00
8'	6' 12'	13 12	0.56
10'	6' 12'	9 8	0.36

Illuminance (FC) Multipliers	
For Incandescent:	For Compact Fluorescent:
100 Watt = 0.7	26 Watt = 0.7
150 Watt = 1.2	42 Watt = 1.3

Spacing Ratio = 1.9 32W Triple Tube CFL

CERTIFIED TEST REPORT NO. 1415FR
COMPUTED BY LSI PROGRAM **TEST-LITE**

LIGHTOLIER COMPACT FLUORESCENT PENDANT FIXTURE CAT. #4167U3CCAB
9" DIA. AMBER GLASS REFLECTOR
1-32W PLT TRIPLE TUBE PHILIPS LAMP. LUMEN RATING = 2400 LMS.
MAGNETEK BALLAST CAT. #C2642UNVSE



CANDLEPOWER SUMMARY		
ANGLE	MEAN CP	LMS.
0	345	
5	344	33
10	345	
15	344	97
20	341	
25	339	155
30	320	
35	281	175
40	232	
45	180	140
50	130	
55	94	87
60	71	
65	54	55
70	41	
75	28	30
80	18	
85	7	9
90	0	

ZONAL LUMENS AND PERCENTAGES			
ZONE	LUMENS	% LAMP	% LUMINAIRE
0-30	285	11.88	36.50
0-40	460	19.18	58.91
0-60	687	28.65	87.99
0-90	781	32.56	100.00
40-90	321	13.38	41.09
60-90	93	3.91	12.01
90-180	0	.00	.00
0-180	781	32.56	100.00

** EFFICIENCY = 32.6% **

Prepared For:
LIGHTOLIER
FALL RIVER, MA

DATE:
MAY 8, 2001

Coefficients Of Utilization 32W Triple Tube CFL

% EFFECTIVE CEILING CAVITY REFLECTANCE

	80						70						50						30						10						0					
	% WALL REFLECTION																																			
	50			30			10			50			30			10			50			30			10			50			30			10		
ROOM CAVITY RATIO	1	.35	.34	.33	.34	.33	.32	.33	.32	.31	.32	.31	.30	.32	.31	.30	.31	.30	.30	.31	.30	.30	.29	.31	.30	.30	.29	.31	.30	.30	.29					
	2	.32	.30	.28	.31	.30	.28	.30	.29	.28	.29	.28	.27	.29	.28	.27	.28	.27	.26	.28	.27	.26	.26	.28	.27	.26	.26	.28	.27	.26	.26					
	3	.29	.27	.25	.28	.26	.25	.27	.26	.24	.26	.25	.24	.26	.25	.24	.26	.24	.23	.26	.24	.23	.23	.25	.24	.23	.23	.25	.24	.23	.23					
	4	.26	.24	.22	.26	.24	.22	.25	.23	.22	.24	.23	.21	.24	.23	.21	.24	.22	.21	.24	.22	.21	.20	.23	.22	.21	.20	.23	.22	.21	.20					
	5	.24	.21	.19	.23	.21	.19	.23	.21	.19	.22	.20	.19	.22	.20	.19	.22	.20	.19	.22	.20	.19	.18	.21	.20	.19	.18	.21	.20	.19	.18					
	6	.22	.19	.17	.21	.19	.17	.21	.19	.17	.20	.18	.17	.20	.18	.17	.20	.18	.17	.20	.18	.17	.16	.19	.18	.17	.16	.19	.18	.17	.16					
	7	.20	.17	.15	.19	.17	.15	.19	.17	.15	.18	.17	.15	.18	.17	.15	.18	.16	.15	.18	.16	.15	.14	.17	.16	.15	.14	.17	.16	.15	.14					
	8	.18	.16	.14	.18	.15	.14	.17	.15	.14	.17	.15	.14	.17	.15	.14	.17	.15	.14	.17	.15	.14	.13	.16	.15	.14	.13	.16	.15	.14	.13					
	9	.16	.14	.12	.16	.14	.12	.16	.14	.12	.16	.14	.12	.16	.14	.12	.15	.13	.12	.15	.13	.12	.12	.15	.14	.12	.12	.15	.14	.12	.12					
	10	.15	.13	.11	.15	.13	.11	.15	.12	.11	.14	.12	.11	.14	.12	.11	.14	.12	.11	.14	.12	.11	.10	.14	.12	.11	.10	.14	.12	.11	.10					

20% FLOOR CAVITY REFLECTANCE

Job Information	Type:
------------------------	--------------