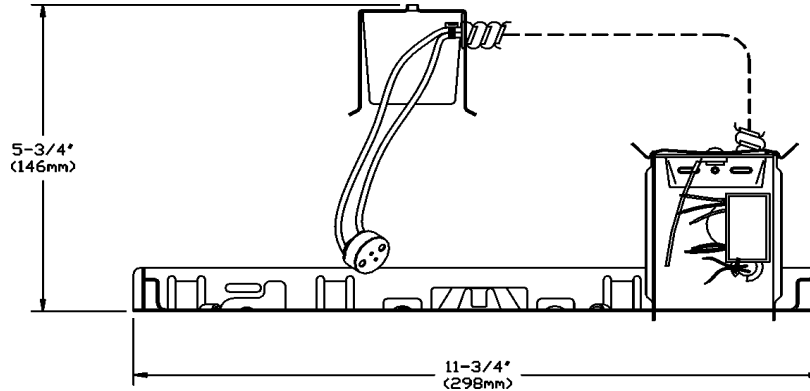
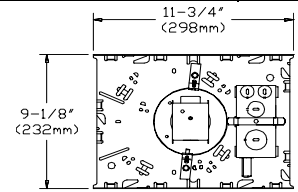


4 3/4" (121mm) aperture
Low Voltage MR16 12V
Standard Frame-In-Kit (Non-IC)

Lytecaster
Recessed Downlight

402MREX



Complete fixture consists of Reflector Trim & Frame-in Kit. Select each separately

POWER PACK	CUT-OUT
402MREX	4 3/4" (121mm)

REFLECTOR TRIM
Accepts all 4 3/4" (121mm) Low Voltage MR16 trims 400 series: see Reflector Trim specification sheets.

Features

Mounting Frame : 20ga. galvanized steel. Four slots are positioned 90° apart to simplify alignment.

Mounting Bars : (4) 18 ga. galvanized steel. 13" (330mm) long bars extend to 27" (686mm), rotatable and lockable, integral T-bar tabs. Spike detail eliminates the need of additional nailing.

Mounting Bars Locking Clip : (1) locks mounting bars in place.

Snap-on Socket Cup : 22ga. galvanized steel. Easy snap-on to housing.

Socket : Porcelain body ; Two-pin (GX5.3 base) Pre-wired with 18 ga. Teflon 250° leads to junction box.

Transformer: Electronic, 75W, 120 volt primary, 11.75 volts output at max. load. RFI protection compatible with FCC limits.

Junction Box : 4" (102mm) x 3" (76mm) x 2" (51mm) 18 ga. galvanized steel . CSA/UL certified for maximum of 8 No. 12 ga. 90° C through branch circuit conductors. Integral cable clamp permit attachment of non metallic Loomex without need of additional connectors. Pry-out knock-outs accept BX cable. Easy access from both sides with snap-on covers.

Thermal Protector : Meets CSA/UL requirements. Insulation, if used, must be kept 3" (76mm) away from luminaire sides and junction box.

Accessories

Mounting Bars Extenders : 1964
20" (508mm) long. Set of 2

Mounting Bar Locking Clips : 0098
To lock mounting bars in place after installation. Set of 12.

Labels : CSA , UL

Damp or Wet location rated depending on trim used.

WE RESERVE THE RIGHT TO CHANGE DETAILS OF DESIGN, MATERIALS AND FINISH, IN ANY WAY THAT WILL NOT ALTER INSTALLED APPEARANCE OR REDUCE FUNCTION AND PERFORMANCE.

Lightolier CFI, 3015 Louis Amos Lachine, (Quebec) H8T 1C4

LIGHTOLIER®