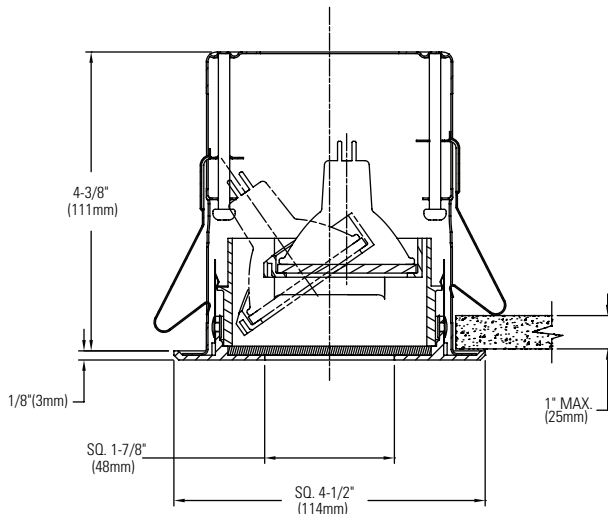


Lytecaster Recessed Downlighting **347AX**



Ceiling Opening: 3-3/4" (95mm)

Complete fixture consists of the Trim and Frame-in Kit. Select each separately.

Reflector Trim		Frame-in Kit		Lamp
347ASTX	Brushed steel	Remodeler	3401MREX	37W MR16 IR
347AWHX	White paint	Non-IC	302MREX	50W MR16 / 37W MR16 IR
		IC / AirSeal®	302MRAICEX	37W MR16

Features

- Housing:** 25 ga steel. Black painted finish.
- Residence Mounting Clips:** Factory-installed; zinc plated spring steel; free-hand installation.
- Flange:** Die-cast aluminum 0.060" (1.5mm) thick.
- Lampholder Assembly Support:** Die-cast aluminum, rotates 358° horizontally and 0° to 35° vertically. Can be locked in vertical position.
- Mounting Clips (2):** 24 ga. stainless steel. Provides easy snap-in / snap-out action.
- Lamp guard:** 2" (51mm) dia. borosilicate glass.
- Glass:** 1/8 (6mm) thick frosted borosilicate tempered glass.

Note: For complete Frame-in Kit specifications, refer to the 300X series Frame-in Kit specification sheets.

Accessories

- 2" (51mm) dia. Specialized Filters and Louvers.
- AF2SY** Symmetric: Prismatic Spread Lens (55°).
 - AF2AS** Asymmetric: Beam Elongator (5° x 55°).
 - AF2LF** Light Frost: Softens light beam.
 - AF2PF** Perimeter Frost.
 - AF2UV** UV Filters: Blocks UV radiation.
 - AF2IR** Infrared Filter: Block infrareds.
 - AL2HC** Hex Cell Louver: matte black. Use only with shielded MR16 flat lens lamps.
 - 300XTC** Thick ceiling housing kit.

Labels

CSA, UL Suitable for damp or wet locations.

Job Information	Type:
Job Name:	
Cat. No.:	
Lamp(s):	
Notes:	