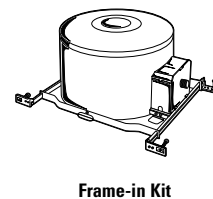
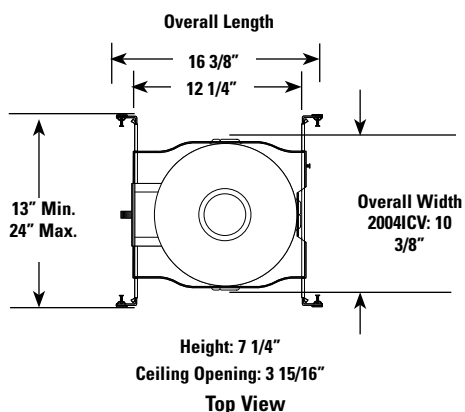
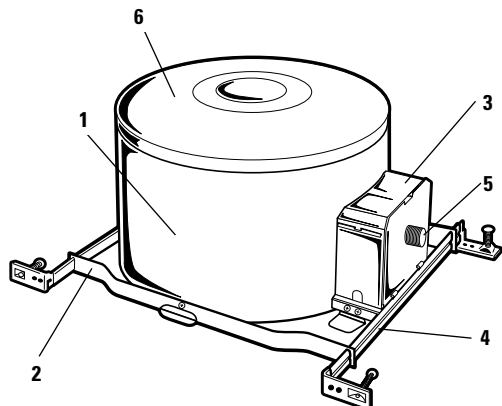


Lytecaster® Recessed Downlighting **302MRE1LC**



3 3/4" Aperture: Complete Fixture consists of Reflector Trim & Frame-In Kit. Select each separately.

Frame-In Kit	Reflector Trims — See Individual Reflector Trim Specification Sheets								
	Cone	Wall Washer	Baffles	Slot	Pinhole	Mini Swivels	Elbow	Enclosed Diffusers	Decorative
302MRE1LC	304 — 50W	315 — 37W	305 — 50W	309 — 37W	308 — 37W	313 — 37W	378 — 50W	316 — 37W	317 — 50W
	343 — 50W	346 — 50W	344 — 50W	---	---	363 — 50W	---	347 — 50W	322 — 50W
	348 — 50W	---	375 — 50W	---	---	---	---	---	341 — 50W
	374 — 50W	---	---	---	---	---	---	---	371 — 50W
									373 — 50W
									376 — 37W

Features

- Housing:** .032" (#20 ga.) aluminum. Access door for inspection of junction box.
- Mounting Frame:** .032 (#20 ga.) aluminum. Accommodates ceilings up to 1" thick. 3/8" deep integral lip. Locks into position along length of mounting bars with locking screw and bendable slot. Four slots are positioned 90° apart to simplify alignment. Push-in/twist-out roto-clips hold reflector flush to ceiling.
- Junction Box:** 4" X 4" X 1 1/2"; .074" (#14 ga.) galvanized steel. UL listed for maximum of 8 (#12 ga.) 90°C through branch circuit conductors. Plenum approved.
- Mounting Bars:** .059" (#16 ga.) galvanized steel. Bars pivot for easy attachment and wire-in below ceiling line. Bars extend to accommodate 16" to 24" O.C. joist spacing. Bars can accommodate 12" O.C joist spacing after a slight field modification (see Instruction Sheet). Features integral self tapping phillips screws for secure attachment to wood or metal construction. Attaches to T-bar ceilings without the need of accessories.
- Thermal Protector:** Meets NEC and UL requirements.
- Transformer:** Mounted inside housing, electronic. 120V primary, nominal 12V secondary. Removable from below.

Dimming

Dimming Controls: Low voltage luminaires should be dimmed only with appropriate LV, VA or QE (electronic specific) dimmers.

Options & Accessories

Extra-Thick Ceiling 1967C - 1" to 2" thick ceilings.

Labels

UL (Type Non I.C., Suitable for Damp Location), I.B.E.W.

Romex® is a registered trademark of General Cable Industries Inc.

Job Information	Type:
Job Name:	
Cat. No.:	
Lamp(s):	
Notes:	