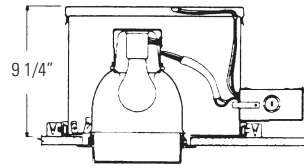
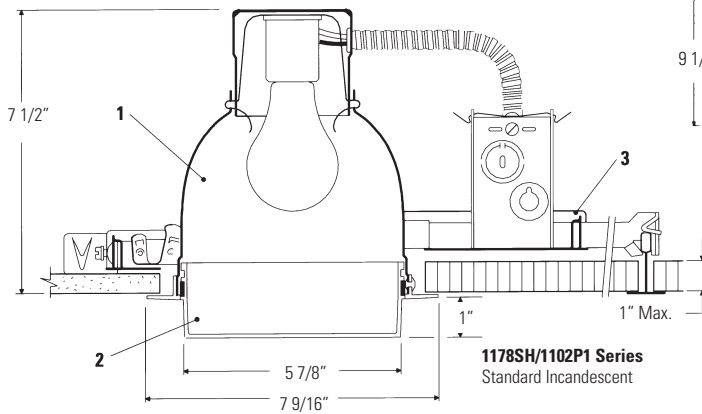
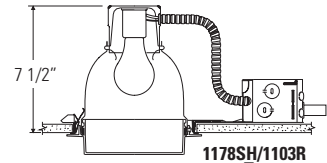




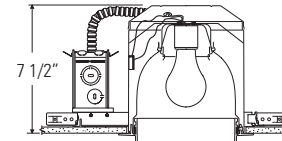
Lytecaster® Recessed Downlighting **1178SH**



1178SH/1100 DEEP IC Series
Incandescent Insulated Ceiling



1178SH/1103R
LyteFining™ Non-IC
Remodeler Ring



1178SH/1104IC
LyteFining™
Convertible Non-IC Only

Complete Fixture consists of Reflector Trim & Frame-In Kit. Select each separately.

1178SH Lexan®	Incandescent				Fluorescent					
	Frame-In Kit	Installation Type	Lamping	Height	Frame-In Kit	Installation Type	Lamping	Height		
	1102P1	Non-IC	75W A19	7 1/2"	1101F18U Series	UniFrame™ Non-IC	(1) Quad/Triple 18W (GX24q-2)	6 5/8"		
	1103R	Non-IC Remodeler		7 1/2"		1101F2642U Series	UniFrame™ Non-IC	(1) Quad/Triple 26W (GX24q-3) (1) Triple 32W (GX24q-3) (1) Triple 42W (GX24q-3)	6 5/8"	
	1100IC	IC	40W A19	7 5/16"	1104F13 Series		IC	(1) Quad/Triple 13W (GX24q-1)	7 1/2"	
	1100AICM	AirSeal® IC		7 5/16"			1104F18 Series	IC	(1) Quad/Triple 18W (GX24q-2)	7 1/2"
	1100DICM	Deep IC		9 1/4"				1104F26 Series	IC	(1) Quad/Triple 26W (GX24q-3)
	1100DAICM	Deep AirSeal® IC		9 1/4"	1100FTU Series	Non-IC	(1) Triple 26/32W (GX24q-3)		7 5/8"	
	1104ICX/N	AirSeal® IC		9 1/4"		1100AICMFT	AirSeal®-IC	(1) Triple 26/32W (GX24q-3)	6 7/8"	
	1104IC/N	Non-IC	40W A19	7 1/2"		1101F18ICU/N	Performance IC	(1) Quad/Triple 18W (GX24q-2)	7 1/4"	
	1104ICR	Non-IC Remodeler		7 1/2"		1101F2642ICU	Performance IC	(1) Quad/Triple 26W (GX24q-3) (1) Triple 32W (GX24q-3)	7 1/4"	
						1101F2642IUN	Performance IC	(1) Quad/Triple 26W (GX24q-3) (1) Triple 32W (GX24q-3)	7 1/4"	
						1101FDICMX1/N	Performance IC Advance Mark10 Dimming 120v	(1) Quad/Triple 26W (GX24q-3) (1) Triple 32W (GX24q-3)	7 1/4"	
						1101FDICMX2/N	Performance IC Advance Mark10 Dimming 277v	(1) Quad/Triple 26W (GX24q-3) (1) Triple 32W (GX24q-3)	7 1/4"	
						1910XFH1	Conversion Kit	(1) Quad13W (GX23-2)	7 5/8"	
						1910XDH1	Conversion Kit	(2) Quad 13W (GX23-2)	7 5/8"	

Features

- Reflector:** Hydroformed aluminum, .040" minimum thickness (18 ga.); Perma white finish, 88% reflectance; plastic white trim flange.
- Drop Opalex Diffuser:** Translucent white, break resistant polycarbonate Lexan®. Installs and removes with twist-lock actions; no tools required.
- Frame-In Kit:** (1102P1 standard frame shown). Other frames listed above and shown on the right. See Frame-In Kit specification sheets for more details.

Labels

UL (Suitable for Wet Locations - Covered Ceiling), I.B.E.W.
Meets NEC® requirements for Spas and Hot Tubs.

Lexan® is a registered trademark of General Electric.

NEC® is a registered trademark of the National Fire Protection Association.

US Patent Numbers: 5,045,985

Other US & Foreign Patents Pending.

Job Information	Type:
Job Name:	
Cat. No.:	
Lamp(s):	
Notes:	

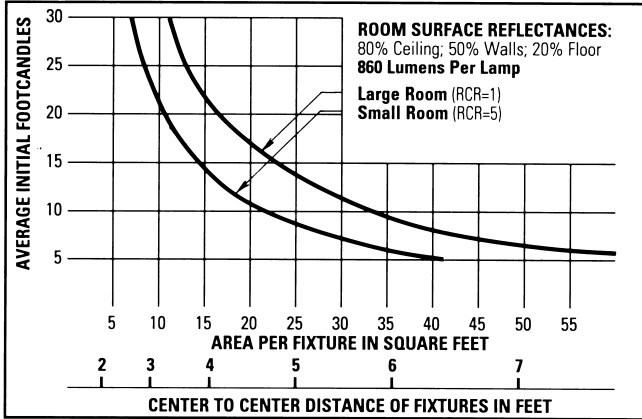
Lightolier a Genlyte company

www.lightolier.com

631 Airport Road, Fall River, MA 02720 • (508) 679-8131 • Fax (508) 674-4710

We reserve the right to change details of design, materials and finish.

© 2007 Genlyte Group LLC • K1007



Use quick calculator chart to determine the spacing of 2 Lt. 13Watt Quad Tube units for a desired level of illumination. Conversion Factors: 1 Lt. 13W Quad Tube, F.C. x 0.55. 75W A19, F.C. x 1.45.

SPACING RATIO = 1.3

CERTIFIED TEST REPORT NO. 2045
COMPUTED BY LSI PROGRAM **TEST-LITE**
RECESSED LYTECASTER DOWNLIGHT
6 1/2" DIA., DROPPED OPALEX
TWO 13W DTT COMPACT FLUORESCENT LAMPS. LUMEN RATING = 860 LMS.
WITH VENT HOLES

CANDLEPOWER SUMMARY

ANGLE	ALONG	22.5	45	67.5	ACROSS	LUMENS
0	95	95	95	95	95	
5	94	95	95	95	95	9
10	93	93	94	94	94	
15	92	92	92	92	93	26
20	90	90	90	91	90	
25	88	87	88	88	88	41
30	85	85	84	85	85	
35	81	80	81	82	82	51
40	77	77	77	77	77	
45	72	72	72	73	73	56
50	66	66	67	66	67	
55	61	61	61	61	61	55
60	55	54	55	55	55	
65	48	48	48	48	48	47
70	40	41	41	41	41	
75	33	33	33	33	33	35
80	25	26	26	26	26	
85	19	20	20	19	20	22
90	16	16	15	15	15	

ZONAL LUMENS AND PERCENTAGES

ZONE	LUMENS	% LAMP	% LUMINAIRE
0-30	75	4.40	22.16
0-40	126	7.36	37.04
0-60	236	13.78	69.34
0-90	341	19.87	100.00
40-90	215	12.51	62.96
60-90	104	6.09	30.66
90-180	0	.00	.00
0-180	341	19.87	100.00

** EFFICIENCY = 19.9% **

TESTED ACCORDING TO IES PROCEDURES. TEST DISTANCE EXCEEDS FIVE TIMES THE GREATEST LUMINOUS OPENING OF LUMINAIRE.

COEFFICIENTS OF UTILIZATION

% EFFECTIVE CEILING CAVITY REFLECTANCE

ROOM CAVITY RATIO	% WALL REFLECTANCE																							
	80				70				50				30				10				0			
	50	30	10	0	50	30	10	0	50	30	10	0	50	30	10	0	50	30	10	0				
1	.20	.19	.18	.17	.16	.15	.14	.13	.12	.11	.10	.09	.08	.07	.06	.05	.04	.03	.02	.01	.00			
2	.18	.16	.15	.14	.13	.12	.11	.10	.09	.08	.07	.06	.05	.04	.03	.02	.01	.00	.00	.00	.00			
3	.15	.14	.12	.11	.10	.09	.08	.07	.06	.05	.04	.03	.02	.01	.00	.00	.00	.00	.00	.00	.00			
4	.14	.12	.10	.09	.08	.07	.06	.05	.04	.03	.02	.01	.00	.00	.00	.00	.00	.00	.00	.00	.00			
5	.12	.10	.09	.08	.07	.06	.05	.04	.03	.02	.01	.00	.00	.00	.00	.00	.00	.00	.00	.00	.00			
6	.11	.09	.08	.07	.06	.05	.04	.03	.02	.01	.00	.00	.00	.00	.00	.00	.00	.00	.00	.00	.00			
7	.10	.08	.07	.06	.05	.04	.03	.02	.01	.00	.00	.00	.00	.00	.00	.00	.00	.00	.00	.00	.00			
8	.09	.07	.06	.05	.04	.03	.02	.01	.00	.00	.00	.00	.00	.00	.00	.00	.00	.00	.00	.00	.00			
9	.08	.06	.05	.04	.03	.02	.01	.00	.00	.00	.00	.00	.00	.00	.00	.00	.00	.00	.00	.00	.00			
10	.07	.05	.04	.03	.02	.01	.00	.00	.00	.00	.00	.00	.00	.00	.00	.00	.00	.00	.00	.00	.00			

20% FLOOR CAVITY REFLECTANCE

Conversion Factors: 1 Lt. 13W Quad Tube, C.U. x 1.15. 75W A19, C.U. x 2.0.

Job Information **Type:**

To convert lighting data for a lower wattage incandescent lamp of the same type, multiply the footcandle (or candlepower) values by the ratio of the lumens of the two lamps. The coefficients of utilization remain the same.

Lightolier a Genlyte company
631 Airport Road, Fall River, MA 02720 • (508) 679-8131 • Fax (508) 674-4710
We reserve the right to change details of design, materials and finish.
© 2007 Genlyte Group LLC • K1007

LIGHTOLIER®