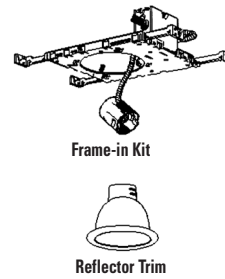
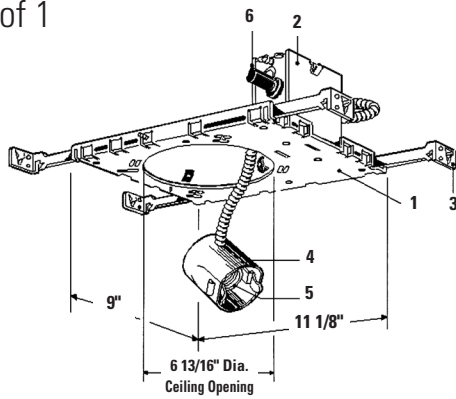


# LIGHTOLIER® Lytecaster Recessed Downlighting 1102P1

Page 1 of 1

6 3/4" Aperture Incandescent Standard Frame-In Kit



Complete Fixture consists of Reflector Trim & Frame-In Kit. Select each separately.

Frame-In Kit	Reflector Trims — See Individual Reflector Trim Specification Sheets										
	Open Downlight					Adjustable				Enclosed Diffusers	Wall Washer
Anodized Reflector	Satin Cone	Baffles	Basic White	Cross Blade	Recessed Line Volt.		Recessed Low Volt.	Eyeball			
1102P1 1102P1M  3/8" Integral Plaster Lip	1143	1108	1105	1170M1	1132	1127	1138	1152	1122	1121	1135
	1144	1108NM	1105NM	1171		1127BNM	1138NM	1155	1122WH	1124	1135WH
	1144CD	1110	1105BNM			1127NM	1148	1155WH	1123	1126	1185
	1145	1110NM	1176			1127WH	1148NM	1161	1123WH	1128	1186
	1146		1179WH			1127BK	1122	1161WH		1134	1186WH
	1146CD		1176VH			1127CD	1124	1163		1177SH	1195
	1149		1179M1			1129		1164		1178SH	1196
	1150					1129CD				1190	1196CD
	1151					1129CDNM					
	1151CD					1129GD					
				1129GDNM					Open Wet		
				1129CL					1184WH		
				1129CLNM					1184CD		
				1129WH							
				1129BK							
				1129BKNM							

## Features

- Mounting Frame:** .036" (#20 ga.) galvanized steel. Accommodates all ceilings up to 1" thick; including existing or inaccessible areas. P1M version has 3/8" deep integral plaster lip. Four slots positioned 90° apart to simplify alignment, breakout section and anchor nails permit installation in existing ceilings from below. Push-in/twist-out rotoclips hold reflector flush to ceiling.
- Junction Box:** 4" x 3 1/2 x 2"; .063 (#14 ga.) galvanized steel. U. L. listed for maximum of 8 No. 12 ga. 75° C through branch circuit conductors (60° C end of run). Integral cable clamps permit attachment of nonmetallic Romex® or armored cable without need of additional connectors.
- Mounting Bars:** .059" (#16 ga.) galvanized steel. 13" long bars extend to 27", rotatable and lockable, with integral T-bar tabs. Attach to wood joist or T-bar ceilings without need of accessories.
- Socket Housing:** Impact extruded aluminum or galvanized steel.
- Socket:** Porcelain medium base; nickel plated screw shell. Pre-wired with #18 ga. SF1 leads to junction box.
- Thermal Protector:** Meets NEC and UL requirements. Insulation must be kept 3" away from fixture sides and wiring compartments and must not be placed above fixture in a manner which will entrap heat.

## Options & Accessories

- Mounting Bars:** 1976 - 13" set of (4)  
**Plaster Ceiling Ring:** 1961 - 7/8" depth for wet plaster ceilings. Not for use with P1M mounting frame.  
**Extra-Thick Ceiling Mounting Ring:** 1967A - up to 2" thick ceilings.  
**Remodeler Anchor Clip:** 1985S

## Options & Accessories (Cont.)

- 277V Remote Step Down Transformer:** 7997 - 277V down to 120V  
**Conversion Kit:** 1910CKU - Reference conversion kit specification sheet for trim and lamp options.

## Labels

UL (Suitable for Damp Locations), I.B.E.W.

Romex® is a registered trademark of General Cable Industries Inc.

US Patent No.: 5,045,985; 4,327,403

Job Information	Type:
<b>Job Name:</b>	
<b>Cat. No.:</b>	
<b>Lamp(s):</b>	
<b>Notes:</b>	

631 Airport Road, Fall River, MA 02720 • (508) 679-8131 • Fax (508) 674-4710  
 We reserve the right to change details of design, materials and finish.  
 www.lightolier.com © 2008 Philips Group • G1008