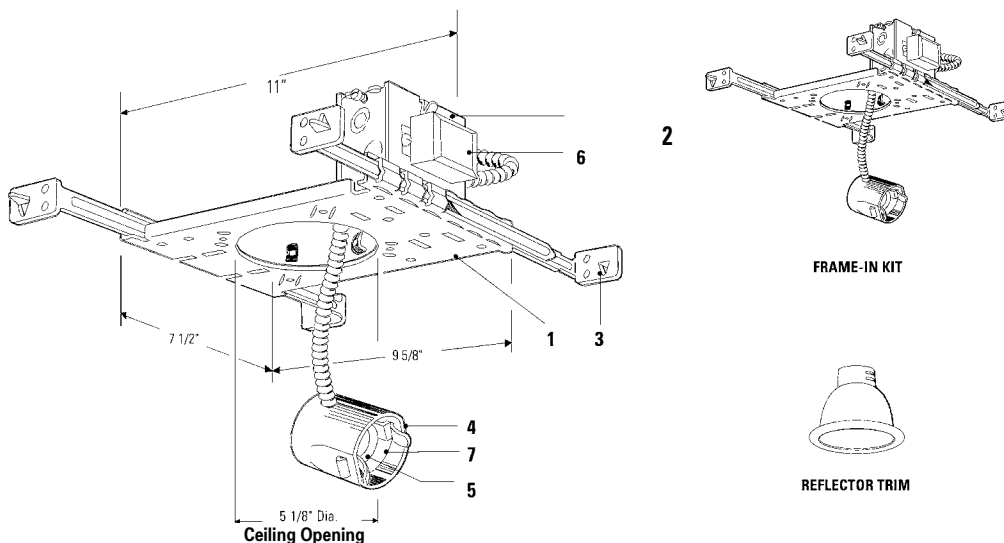


Lytecaster® Recessed Downlighting **1002FFU**



Complete Fixture consists of Reflector Trim & Frame-In Kit. Select each separately.

| Frame-In Kit | Reflector Trims — See Individual Reflector Trim Specification Sheets | | | | | | | |
|--------------|--|------------|---------|-------------|---------|------|--------------------|-------------|
| | Open Downlight | | | | | | Enclosed Diffusers | Wall Washer |
| Reflector | Cone | Satin Cone | Baffles | Basic White | Pinhole | | | |
| 1002FFU | 1045 | 1012 | 1008 | 1005 | 1071 | 1011 | 1021 | 1035 |
| | 1046 | 1012NM | 1008NM | 1005NM | | | 1024 | 1035WH |
| | 1046CD | 1013 | 1010 | 1005BNM | | | 1078 | 1085 |
| | | 1013CD | 1010NM | 1005WH | | | | 1095 |
| | | 1013BKNM | | 1076 | | | | 1096 |
| | | 1013NM | | 1076WH | | | | 1096CD |
| | | 1013CDNM | | | | | | |
| | | 1013BK | | | | | | |
| | | 1013WH | | | | | | |

Features

- Mounting Frame:** .036" (#20 ga.) galvanized steel. Accommodates all ceilings up to 1" thick; including existing or inaccessible areas. Breakout section and anchor nails (sold separately) permits installation in existing ceilings from below. Push-in/twist-out rotoclips hold reflector flush to ceiling.
- Junction Box:** 4" x 3 1/2" x 2", .063" (#14 ga.) galvanized steel. U.L. listed for maximum of 8 No. 12 ga. 90° C through branch circuit conductors (75° C end of run). Integral cable clamps permit attachment of nonmetallic Romex® or armored cable without need of additional connectors.
- Mounting Bars:** .059" (#16 ga.) galvanized steel. 13" long bars extend to 27". Attaches to wood joist or T-bar ceilings without need of accessories.
- Socket Housing:** Impact extruded aluminum precisely attached to reflector by spring clips.
- Socket:** G24Q-1 four-pin base, molded thermoplastic. Prewired with No. 18 AWM leads to junction box.
- Ballast:** Electronic, class "P". 120V–277V; high power factor. Insulation must be kept 3" away from fixture sides and wiring compartment and must not be placed above fixture in a manner which will entrap heat.
- Light Collector:** Die-formed aluminum. Reflects spill light to maximize light output.

Electrical

See Manufacturer Specs.
Minimum starting temperature is 0° F.

Options & Accessories

- Mounting Bars:** 1964 - 20" set of (2)
T-Bar Anchor Clips: 1956 - set of (4) for use with above bars
Plaster Ceiling Ring: 1960 - 7/8" depth for wet plaster ceilings.
Extra-Thick Ceiling Mounting Ring: 1967B - up to 2" thick ceilings.
Remodeler Anchor Clip: 1985N

Labels

UL (Suitable for Damp Locations), I.B.E.W.

Romex® is a registered Trademark of General Cable Industries Inc.

| Job Information | Type: |
|------------------|-------|
| Job Name: | |
| Cat. No.: | |
| Lamp(s): | |
| Notes: | |

Lightolier a Genlyte company www.lightolier.com
 631 Airport Road, Fall River, MA 02720 • (508) 679-8131 • Fax (508) 674-4710
 We reserve the right to change details of design, materials and finish.
 © 2006 Genlyte Group LLC • D0506

LIGHTOLIER®