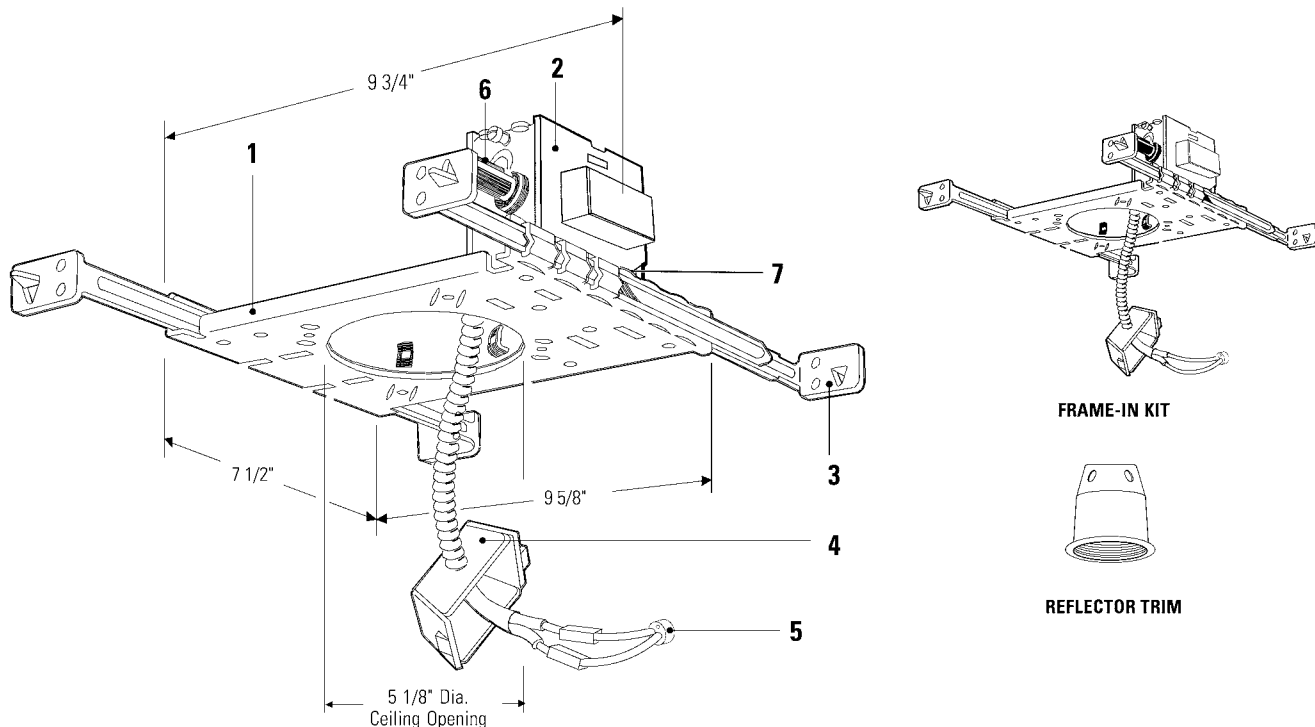


Lytecaster® Recessed Downlighting **1000LVE**



Complete Fixture consists of Reflector Trim & Frame-In Kit. Select each separately.

Frame-In Kit	Reflector Trims — See Individual Reflector Trim Specification Sheets			
	Adjustable			
	Baffles	Specular Cone	Pinhole	Elbow
1000LVE1 120V- 0.67A Max	1055LV 1055WHLV	1056LV 1063LV 1064LV 1064CDLV	1052LV	1062LV
1000LVE2 277V- 0.27A Max				

Features

- Mounting Frame:** .036" (#20 ga.) galvanized steel. Accommodates all ceilings up to 1" thick; including existing or inaccessible areas. Breakout section and anchor nails permits installation in existing ceilings from below. Push-in/twist-out rotoclips hold reflector flush to ceiling.
- Junction Box:** 4" x 3 1/2" x 2", .063" (#14 ga.) galvanized steel. U.L. listed for maximum of 8 No. 12 ga. 90° C through branch circuit conductors (1000LVE2 only). Integral cable clamps permit attachment of nonmetallic Romex® or armored cable without need of additional connectors.
- Mounting Bars:** .059" (#16 ga.) galvanized steel. 13" long bars extend to 27" with integral nailing tabs. Attaches to wood joist without need of accessories.
- Socket Housing:** .036" (#20 ga.) galvanized steel.
- Socket:** Field replaceable. Two pin socket, pre-wired with #18 SF1 leads to junction box.
- Thermal Protector:** Meets NEC and UL requirements. Insulation must be kept 3" away from fixture sides and wiring compartments and must not be placed above fixture in a manner which will entrap heat.
- Transformer:** Outboard mounted, Electronic, 120V (1000LVE1), 277V (1000LVE2)primary, nominal 12V secondary. Removable from below.

Dimming

Dimming Controls: Use only dimmers specifically designed for use with electronic transformers. Consult Lightolier Controls for more information. Low voltage luminaires may produce audible sound when used with dimmers, which may be objectionable in acoustically critical areas.

Options & Accessories

- Mounting Bars:** **1964** - 20" set of (2)
T-Bar Ceiling Clips: **1956** - set of (4)

Options & Accessories (continued)

- Plaster Ceiling Ring:** **1960** - 7/8" depth for wet plaster ceilings.
Extra-Thick Ceiling Mounting Ring: **1967B** - up to 2" thick ceilings.
MR16 Socket Replacement: **1975B**
Remodeler Anchor Clip: **1985N**

Labels

UL (Suitable for Damp Locations), I.B.E.W.

Romex® is a registered Trademark of General Cable Industries Inc.

Job Information	Type:
Job Name:	
Cat. No.:	
Lamp(s):	
Notes:	

Lightolier a Genlyte company www.lightolier.com
 631 Airport Road, Fall River, MA 02720 • (508) 679-8131 • Fax (508) 674-4710
 We reserve the right to change details of design, materials and finish.
 © 2007 Genlyte Group LLC • A1107