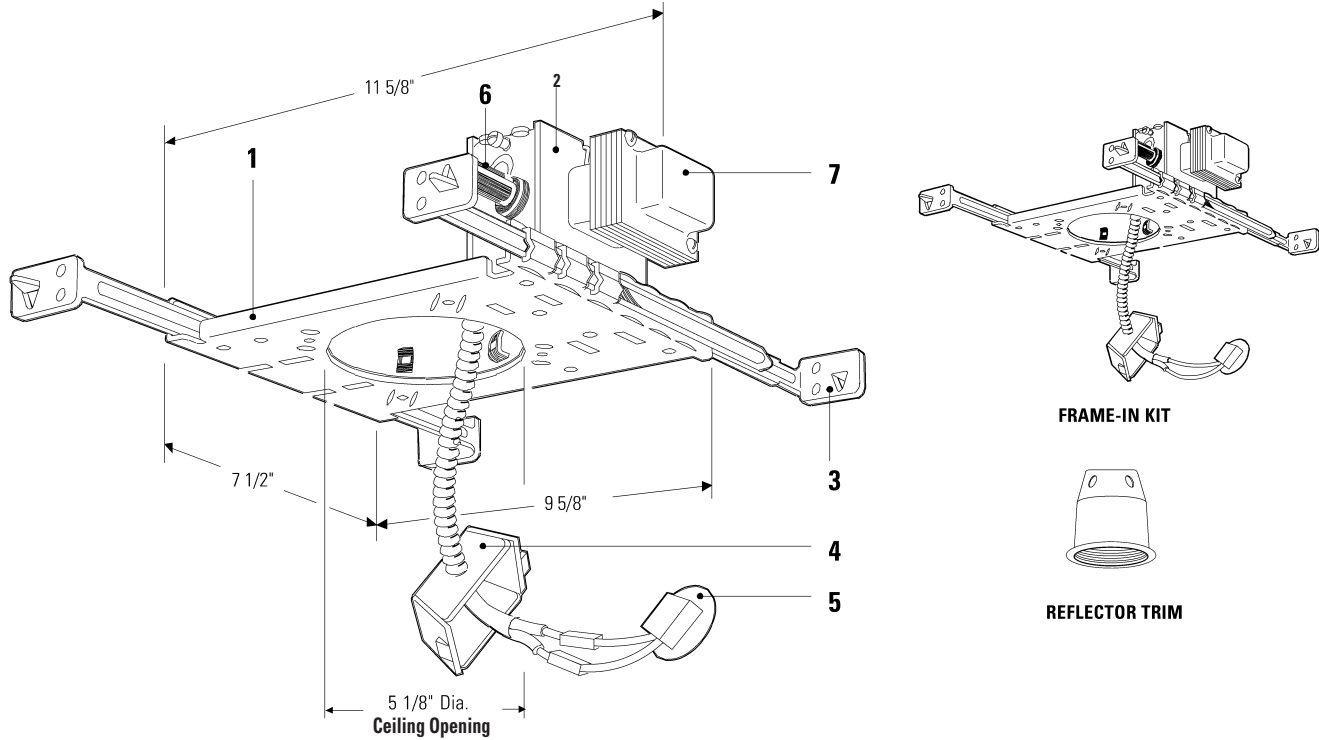


# Lytecaster® Recessed Downlighting **1000LV**



Complete Fixture consists of Reflector Trim & Frame-In Kit. Select each separately.

Frame-In Kit	Reflector Trims — See Individual Reflector Trim Specification Sheets			
	Adjustable			
<b>1000LV</b>	Baffles	Cone	Pinhole	Elbow
	<b>1055LV</b> <b>1055WHLV</b>	<b>1056LV</b> <b>1063LV</b> <b>1064LV</b> <b>1064CDLV</b>	<b>1052LV</b>	<b>1062LV</b>

## Features

- Mounting Frame:** .036" (#20 ga.) galvanized steel. Accommodates all ceilings up to 1" thick; including existing or inaccessible areas. Breakout section and anchor nails permits installation in existing ceilings from below. Push-in/twist-out rotoclips hold reflector flush to ceiling.
- Junction Box:** 4" x 3 1/2" x 2", .063" (#14 ga.) galvanized steel. U.L. listed for maximum of 8 No. 12 ga. 90° C through branch circuit conductors. Integral cable clamps permit attachment of nonmetallic Romex® or armored cable without need of additional connectors.
- Mounting Bars:** .059" (#16 ga.) galvanized steel. 13" long bars extend to 27" with integral nailing tabs. Attaches to wood joist without need of accessories.
- Socket Housing:** .036" (#20 ga.) galvanized steel.
- Socket:** Field replaceable. Two pin socket, pre-wired with #18 SF1 leads to junction box.
- Thermal Protector:** Meets NEC and UL requirements. Insulation must be kept 3" away from fixture sides and wiring compartments and must not be placed above fixture in a manner which will entrap heat.
- Transformer:** Outboard mounted, magnetic, 120V. primary, nominal 12V. secondary. Removable from below.

## Dimming

**Dimming Controls:** use only dimmers specifically designed for use with magnetic transformers, like Lightolier Onset®, Sunrise® series LV or VA dimmers, or any Lightolier Controls dimming system. Low voltage fixtures may produce audible sound when used with dimmers, which may be objectionable in acoustically critical areas.

## Options & Accessories

- Mounting Bars:** **1964** 20" set of (2)  
**T-Bar Ceiling Clips:** **1956** set of (4)

## Options & Accessories (continued)

- Plaster Ceiling Ring:** **1960** 7/8" depth for wet plaster ceilings.  
**Extra-Thick Ceiling Mounting Ring:** **1967B** up to 2" thick ceilings.  
**MR16 Socket Replacement:** **1975A**  
**277V Remote Step-Down:** **7997** 277V down to 120V  
**Transformer:** **300W** max. load.  
**Remodeler Anchor Clip:** **1985N**

## Labels

UL (Suitable for Damp Locations), I.B.E.W.

Romex® is a registered Trademark of General Cable Industries Inc.

**US Patent No.: 5,045,985**

Job Information	Type:
Job Name:	
Cat. No.:	
Lamp(s):	
Notes:	

**Lightolier** a Genlyte Company www.lightolier.com  
 631 Airport Road, Fall River, MA 02720 • (508) 679-8131 • Fax (508) 674-4710  
 We reserve the right to change details of design, materials and finish.  
 © 2006 Genlyte Group LLC • E0906

**LIGHTOLIER®**