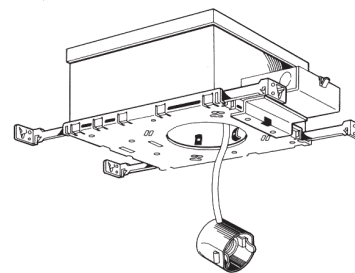
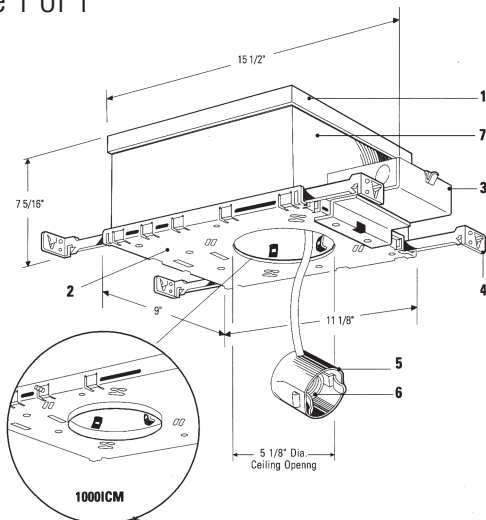


# Lytecaster Recessed Downlighting **1000IC**



FRAME-IN KIT



REFLECTOR TRIM

Complete Fixture consists of Reflector Trim & Frame-In Kit. Select each separately.

## Frame-In Kit Reflector Trims — See Individual Reflector Trim Specification Sheets

1000IC 1000ICM*	Open Downlight					Recessed		Enclosed Diffusers	Open Wet Location	Wall Washer
	Reflector	Cone	Satin Cone	Baffles	Basic White	Adjustable	Eyeball			
	1045	1012	1008	1005	1071	1027	1029	1022	1021	1035
	1046	1012NM	1008NM	1005NM		1027CD	1029CD	1022WH	1024	1035WH
	1046CD	1013	1010	1005BNM		1027NM	1029NM	1082	1078	1085
		1013CD	1010NM	1005WH		1027CDNM	1029CDNM		1090	1095
		1013BK		1076		1027BK	1029BKNM			1096
		1013WH		1076WH		1027BKNM	1029GDNM			1096CD
		1013NM				1027WH	1029CLNM			
		1013CDNM				1038	1029CL			
		1013BKNM				1038NM	1029GD			
						1048	1029BK			
						1048NM	1029WH			
						1029BNM				

\*3/8" Integral Plaster Lip

### Features

- Housing:** .026" (#20 ga.) galvanized steel. U.L. listed for direct contact with thermal insulation. Access door for inspection of junction box.
- Mounting Frame:** .036" (#20 ga.) galvanized steel. Accommodates all ceilings up to 1" thick. ICM version has 3/8" deep integral lip. Four slots are positioned 90° apart to simplify alignment. Push-in/twist-out rotoclips hold reflector flush to ceiling.
- Junction Box:** 2" x 4" x 4", .063" (#14 ga.) galvanized steel. U.L. listed for maximum of 6 No. 12 ga., 90° C through branch circuit conductors. Quick release "L" shaped cover for outside access to wiring. Access door inside of housing allows easy inspection of wiring without removal of housing. Integral cable clamps permit attachment of nonmetallic Romex® or armored cable without the need for additional connectors.
- Mounting Bars:** .059" (#16 ga.) galvanized steel. 13" long bars extend to 27", rotatable and lockable, with integral T-bar tabs. Attach to wood joist or T-bar ceilings without need of accessories.
- Socket Housing:** Impact extruded aluminum or galvanized steel.
- Socket:** Porcelain medium base; nickel plated screw shell. Pre-wired with #18 ga. SF1 leads to junction box.
- Thermal Protector:** Meets NEC and U.L. requirements. Located inside housing.

### Options & Accessories

- Mounting Bars:** 1964 - 20" set of (2)  
**T-Bar Ceiling Clips:** 1956 - set pf (4)  
**Plaster Ceiling Ring:** 1960 - 7/8" depth for wet plaster ceilings. Not for use with ICM housing.  
**Extra-Thick Ceiling Mounting Ring:** 1967B - up to 2" thick ceilings.  
**277 Remove Step-Down Transformer:** 7997 - 277V/down to 120V 300W max.load.

### Labels

UL (Type I.C., Suitable for Damp Locations), I.B.E.W.  
 Romex® is a registered Trademark of General Cable Industries Inc.

Job Information	Type:
<b>Job Name:</b>	
<b>Cat. No.:</b>	
<b>Lamp(s):</b>	
<b>Notes:</b>	